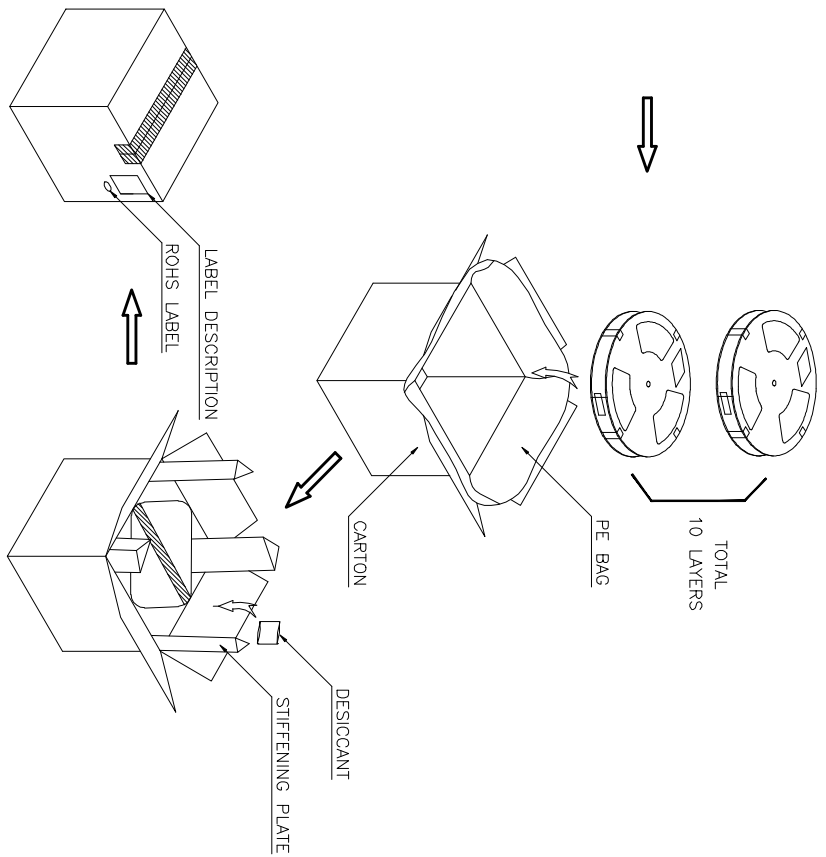
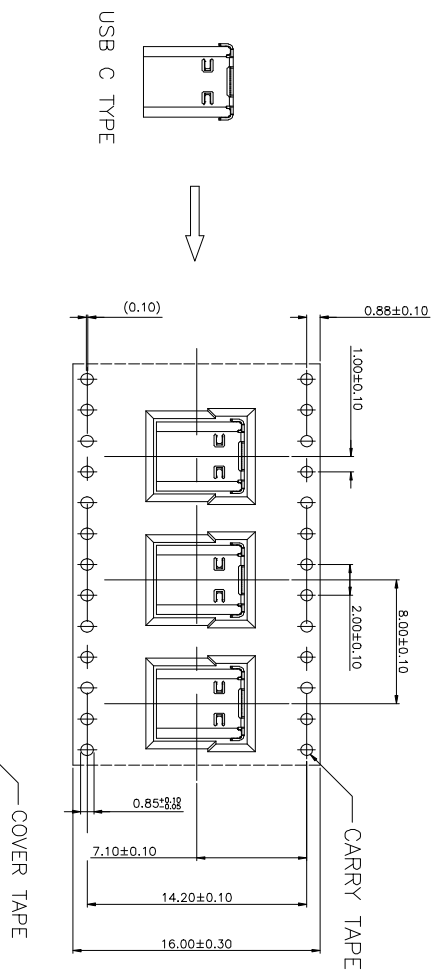
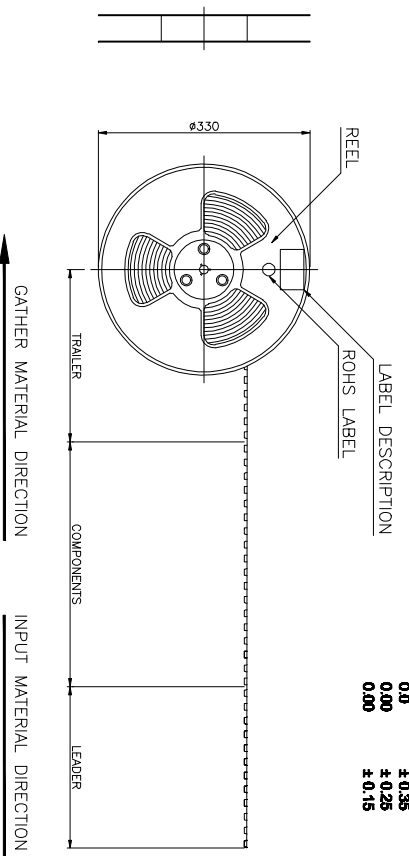


TOLERANCE UNLESS OTHERWISE SPECIFIED IN MM:

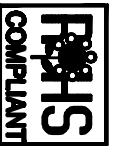
0.0	± 0.35	ANGLE	0.0	± 3°
0.00	± 0.25		0.0	± 2°
0.00	± 0.15		0.00	± 1°

THIS IS A C.A.D. GENERATED DRAWING
DO NOT MAKE MANUAL REVISIONS TO MASTER.

ISSUE NUMBER
ORIGINAL
①



- NOTES:
1. THE START AND END OF EACH REEL, BASED ON THE ACTUAL QUANTITY, RESERVED 5--15PCS SPACE;
 2. COVER TAPE AND CARRY TAPE PEEL, 10g~130g; PEEL DEG.: 165°~175°;
 3. QTY*: 800PCS/REEL, 10REEL/CARTON, TOTAL 8000PCS/CARTON;



THIS SERIES FULLY CONFORMS TO THE
EUROPEAN UNION DIRECTIVES
2011/65/EU FOR ROHS COMPLIANCY.

USB 3.1 TYPE C FEMALE

EDAC INC
TORONTO, ONTARIO
CANADA
YOUR CONNECTION TO QUALITY & SERVICE

THESE DRAWINGS AND SPECIFICATIONS ARE THE PROPERTY OF EDAC INC. AND SHALL NOT BE REPRODUCED OR COPIED OR USED AS THE BASIS FOR THE MANUFACTURE OR SALE OF APPARATUS WITHOUT WRITTEN PERMISSION.

ACAD REFERENCE NO.: 690-024-231-031	DATE: JUN.29/2015
DRAWN:N.SONDH	CHECKED:
PART NUMBER	DATE:
DRAWING NUMBER	SEE TABLE
690-024-231-031	SHEET 2 OF 2
	ISSUE
	2