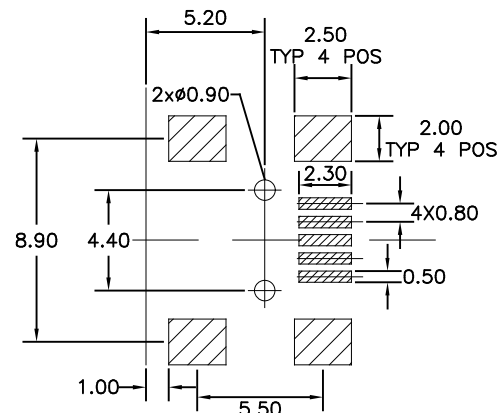
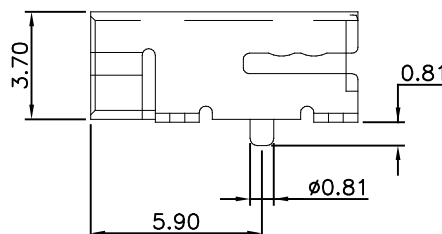
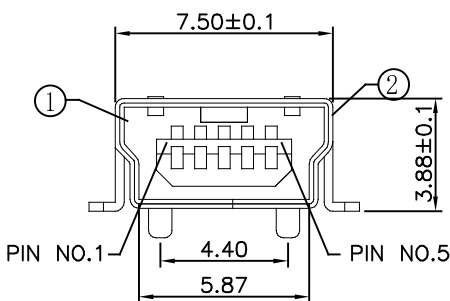
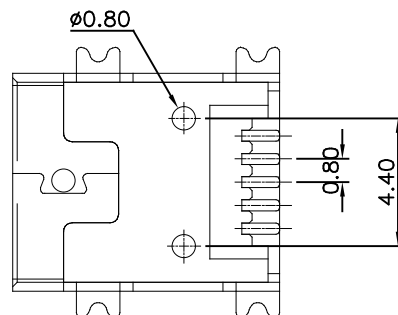
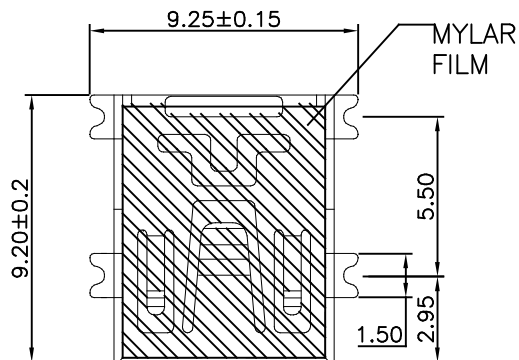


TOLERANCE UNLESS SPECIFIED  
 WITHIN 1.5: ±0.1mm  
 OVER 1.5: ±0.2mm  
 ANGLES: ±2°

THIS IS A C.A.D. GENERATED DRAWING  
 DO NOT MAKE MANUAL REVISIONS TO MASTER.



RECOMMENDED PCB LAYOUT

Materials:

- ① Housing: Thermoplastic UL94V-0 Black color.
- ② Shell: Brass, Nickel plated.
- ③ Contact: Phosphor Bronze Gold plated on contact are Tin on tail over Nickel-Under plating.

Specifications:

1. Current rating: 1 A Max.
2. Dielectric withstanding:voltage: 100 V(ac) for 1 min.
3. Contact resistance: 50 mW Max.
4. Insulation resistance: 100 MW Min.
5. Total mating force: 3.57 Kgf Max.
6. Total unmating force: 1.0 Kgf Min.0.81~2.05 Kgf Min.
7. Temperature range: -30°C~+80°C

After 3000 insertion/extraction cycles.  
 Soldering temperature: 260°C±5°C for 5±0.5 sec.  
 Resistance to soldering heat: 260°C±5°C for 5±0.5 sec.  
 Storage temperature range: -20°C to +60°C  
 Thermal resistance: 96 hours in 60°C±3°C

Plating Options  
 Gold Flash  
 30 Microinches

Part Number  
 690-005-299-043  
 690-005-699-043

ISSUE NUMBER

DRAWING UPDATED NEW TOOLING N.SONDH JAN.27/15	④
PIN NO'S ADDED F.BRIONES JAN.28/15	⑤
SOLDERING TEMP. ETC. ADDING F.BRIONES JUL.29/15	⑥
ADD TAPE & REEL INFORMATION R.STA.MONICA AUG.18/2015	⑦
UPDATE DWG ADD MYLAR FILM R.STA.MONICA NOV.17/2016	⑧
UPDATE DWG J.TAN MAY.03/2017	⑨
CHANGE ORIENTATION OF PARTS ON REEL P.M. NOV. 15/2019	⑩
ADD "TRANSPARENT COLOR" NOTE ON TAPE & REEL SPECS DWG P.M. JUNE 24/2020	⑪



THIS SERIES FULLY CONFORMS TO THE  
 EUROPEAN UNION DIRECTIVES  
 2011/65/EU FOR RoHS COMPLIANCY.

5 PIN MINI USB-B RIGHT ANGLE SURFACE MOUNT



YOUR CONNECTION TO QUALITY & SERVICE

EDAC INC  
 TORONTO, ONTARIO  
 CANADA

THESE DRAWINGS AND SPECIFICATIONS  
 ARE THE PROPERTY OF EDAC INC.,AND  
 SHALL NOT BE REPRODUCED,OR COPIED  
 OR USED AS THE BASIS FOR THE  
 MANUFACTURE OR SALE OF APPARATUS  
 WITHOUT WRITTEN PERMISSION.

ACAD REFERENCE NO. 690-005-299-043

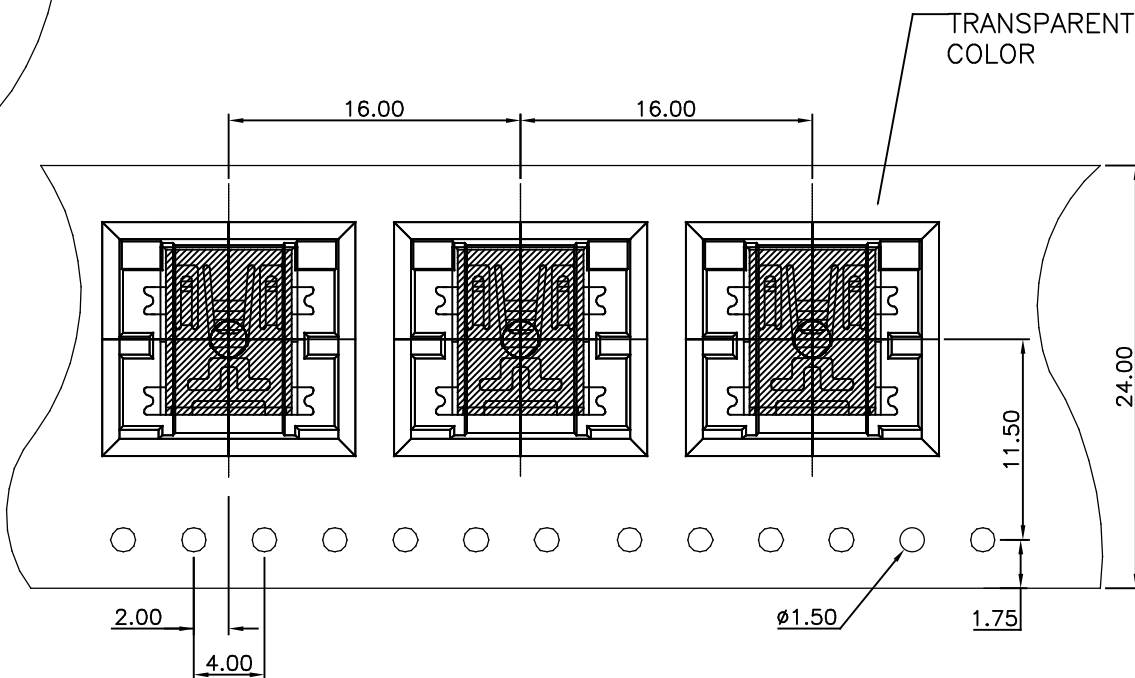
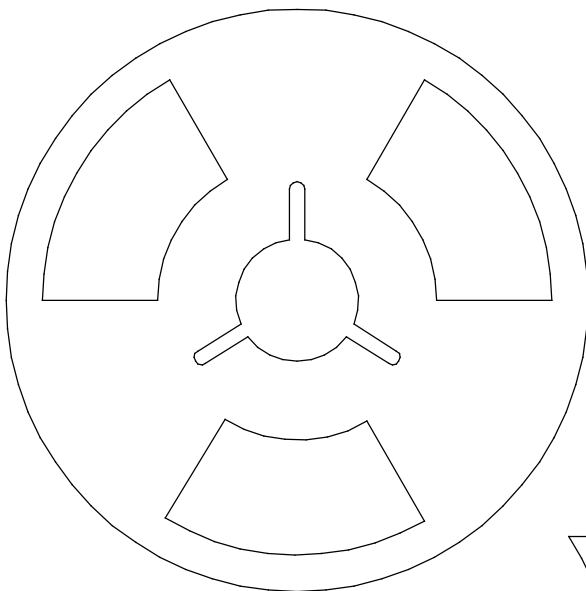
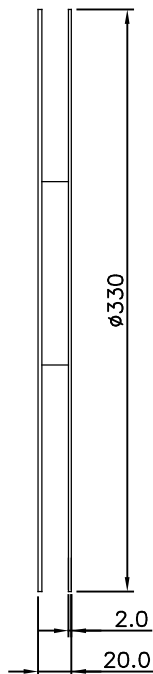
DRAWN: N.SONDH DATE: JAN.27/15

CHECKED: R.E. DATE: NOV.15/19

SCALE: (IN C.A.D. 1:1) SHEET 1 OF 2

DRAWING NUMBER 690-005-299-043 ISSUE 11

THIS IS A C.A.D. GENERATED DRAWING  
DO NOT MAKE MANUAL REVISIONS TO MASTER.



QUANTITY: 1,000 PCS PER REEL



THIS SERIES FULLY CONFORMS TO THE  
EUROPEAN UNION DIRECTIVES  
2011/65/EU FOR RoHS COMPLIANCY.

### 5 PIN MINI USB-B RIGHT ANGLE SURFACE MOUNT TAPE AND REEL SPECS

**EDAC** EDAC INC  
TORONTO, ONTARIO  
CANADA  
YOUR CONNECTION TO QUALITY & SERVICE

THESE DRAWINGS AND SPECIFICATIONS  
ARE THE PROPERTY OF EDAC INC., AND  
SHALL NOT BE REPRODUCED, OR COPIED  
OR USED AS THE BASIS FOR THE  
MANUFACTURE OR SALE OF APPARATUS  
WITHOUT WRITTEN PERMISSION.

ACAD REFERENCE NO.	690-005-299-043	
DRAWN: R.STA.MONICA	DATE: AUG.18/15	
CHECKED: R.E.	DATE: NOV.15/19	
SCALE: (IN C.A.D. 1:1)	SHEET 2 OF 2	
DRAWING NUMBER	690-005-299-043	ISSUE
		11