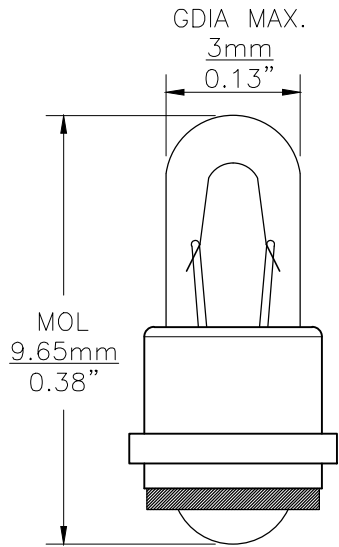
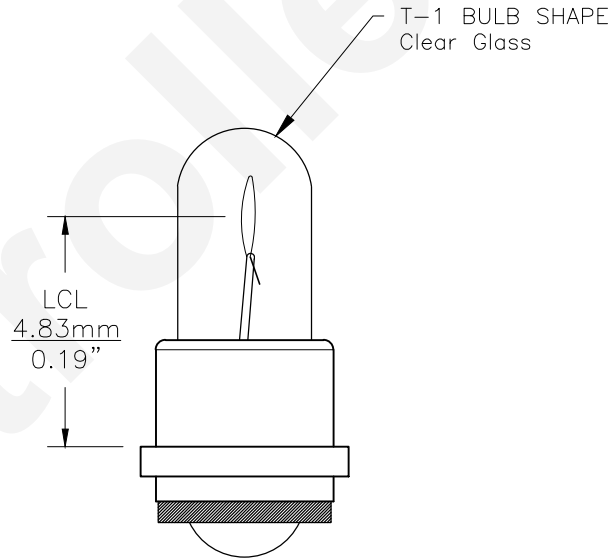




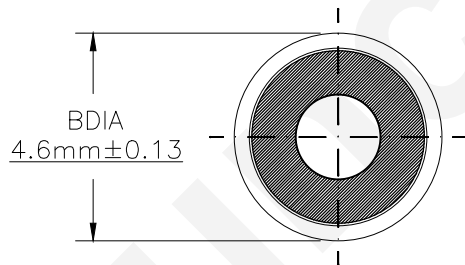
PART NO.	BASE TYPE	DESIGN VOLTS	DESIGN AMPS	MSCD	FILAMENT TYPE	AVERAGE LIFE HOURS	REVISIONS			
							REV #	DESCRIPTION	DATE	APPROVED
685	Sub Mid Flanged (F3-6)	5.0V	0.06±15%	0.05±20%	C-2R	25,000	1	ISSUED	09/13/2018	R.M.



0° VIEW



90° VIEW



BASE BOTTOM VIEW

UNLESS OTHERWISE SPECIFIED: DIMENSIONS ARE IN INCHES TOLERANCES		CEC INDUSTRIES LTD			
DECIMALS	ANGULAR	599 BOND STREET		LINCOLNSHIRE, IL 60069	
.XX ± .05	± 0.5°				
.XXX ± .010					
FRACTIONAL	± 1/64				
DRAWN ROSE MEDINA	DATE 09/13/2018	TITLE LIGHT BULB NO. 685			
CHECKED		SIZE A	FSCM NO.	DWG NO. 685	REV 1
DESIGN		SCALE	PLOT SCALE	SHEET 1 OF 1	
MATERIAL		FILE 685.pdf	DRAWING NOT TO SCALE		