

F

E

D

C

B

A

F

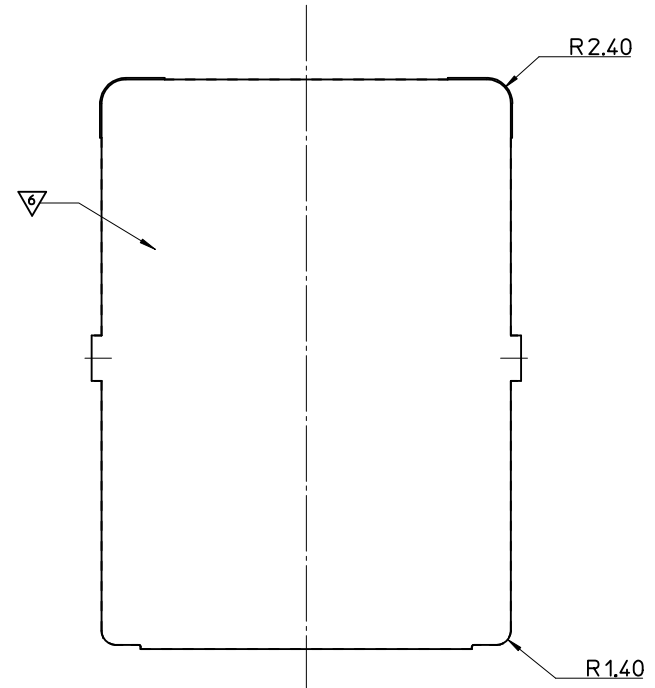
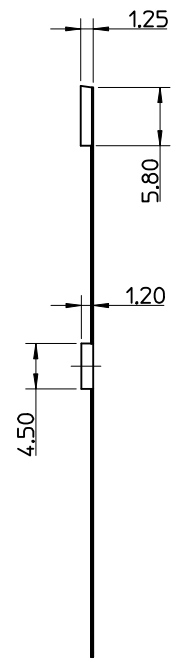
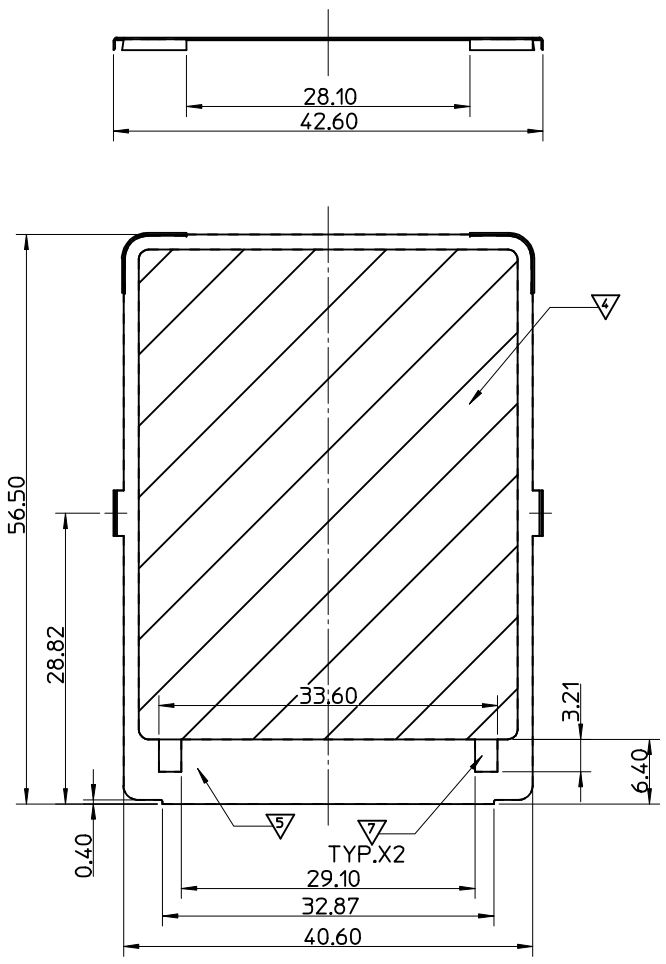
E

D

C

B

A



- NOTE:
- 1.MATERIAL:STAINLESS STEEL,THICKNESS 0.15MM
  - 2.FINISH:NO DAMAGE
  - 3.PRODUCT SPECIFICATION:PS-67998-0006
  - PRINTED INSULATION,COLOR GREEN
  - HEAT ADHESIVE GLUE TAPE ATTACHED,THICKNESS 0.10MM
  - PROTECT MYLAR ATTACHED
  - NUDE AREA
  - 8.USE WITH FRAME:67771-0001

RELEASE EC NO: T2003-0082 DRWN:BLCHEN 2002/09/27 CHKD: 2002/10/03 APPR:WWSCHAN2002/10/03	QUALITY SYMBOLS	GENERAL TOLERANCES (UNLESS SPECIFIED)		SCALE 2:1	DESIGN UNITS METRIC	THIRD ANGLE PROJECTION	REVISE ON CAD ONLY
	-0 C-0 S-0		mm	INCH	DIMENSION STYLE MM ONLY		TITLE
		4 PLACES	± ---	± ---	DRAWN BY	DATE	CF WIRELESS CARD KIT METAL SHELL LOW
		3 PLACES	± ---	± ---	BLADE	02/06/20	
2 PLACES	± 0.25	± ---	CHECKED BY	DATE	MOLEX INCORPORATED MATERIAL NO. 67773-0001   DOCUMENT NO. SD-67773-001   SHEET NO. 1 OF 1		
1 PLACE	± 0.25	± ---	WILSON				
		ANGULAR ± 3 °		APPROVED BY	DATE	THIS DRAWING CONTAINS INFORMATION THAT IS PROPRIETARY TO MOLEX INCORPORATED AND SHOULD NOT BE USED WITHOUT WRITTEN PERMISSION	
		DRAFT WHERE APPLICABLE		ERICK		A3	
		MUST REMAIN WITHIN DIMENSIONS					