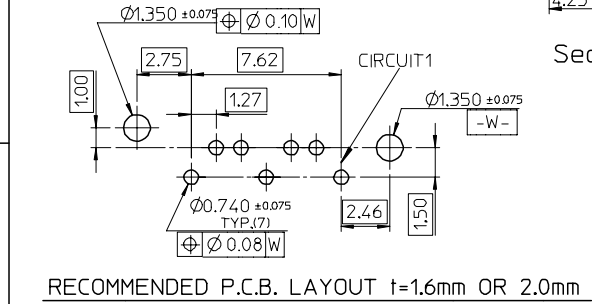
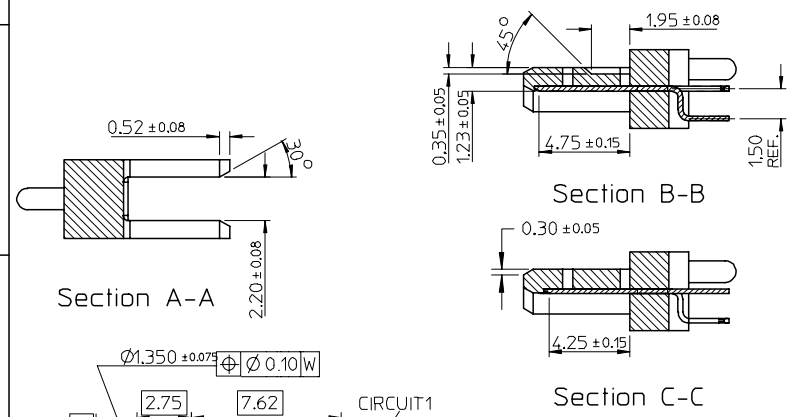
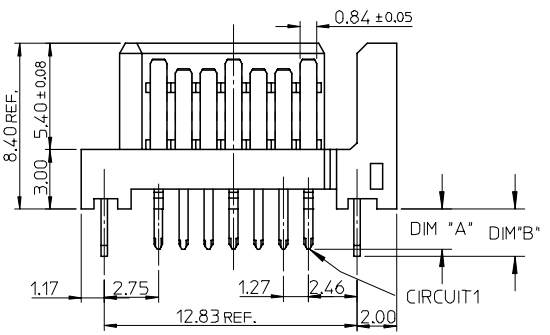
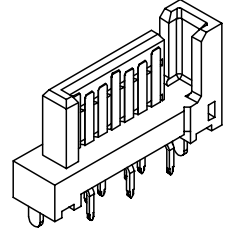
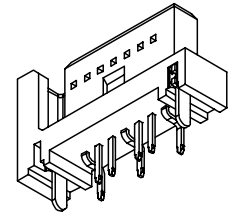
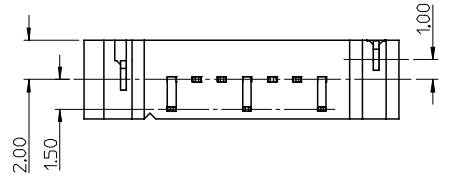
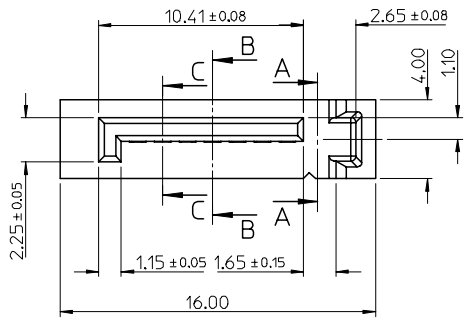
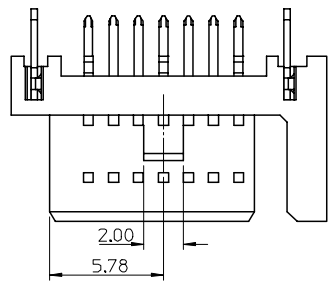
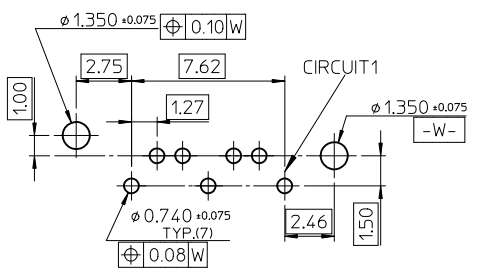
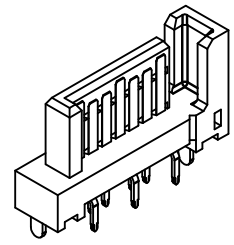
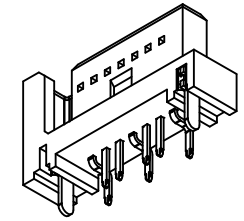
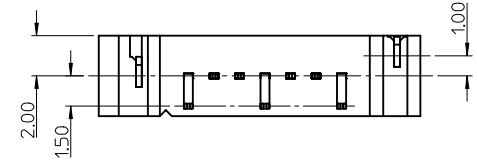
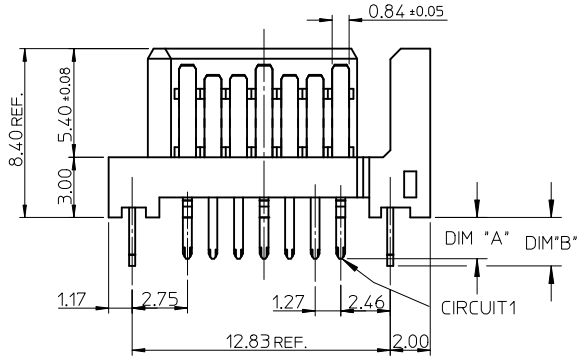
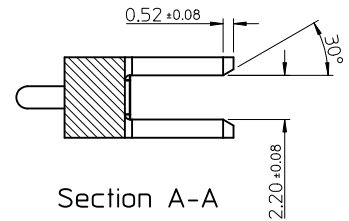
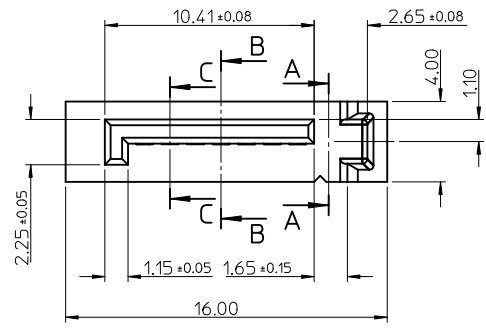
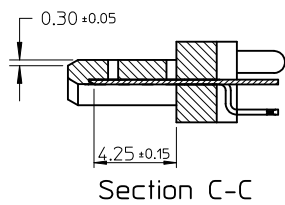
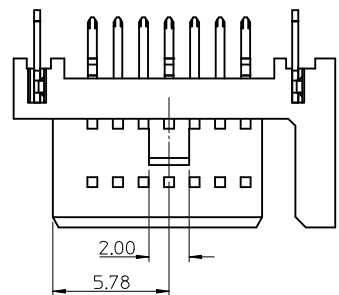
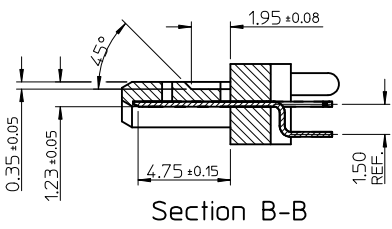


	10	9	8	7	6	
	P/N	CONTACT PLATING TYPE	"A"	"B"	PCB THICKNESS	SOLDERING PLATE
F	67491-0030	GOLD FLASH	2.05	2.40	1.60	TIN-LEAD
	67491-0031	0.76 MICRON GOLD PLATED				
	67491-0032	0.38 MICRON GOLD PLATED				
E	67491-0035	GOLD FLASH	2.35	2.40	2.00	
	67491-0036	0.76 MICRON GOLD PLATED				
	67491-0037	0.38 MICRON GOLD PLATED				
D	67491-0038	GOLD FLASH	3.00	3.20	2.40	
	67491-0039	0.76 MICRON GOLD PLATED				
	67491-0040	0.38 MICRON GOLD PLATED				
C	67491-1030	GOLD FLASH	2.05	2.40	1.60	PURE TIN
	67491-1031	0.76 MICRON GOLD PLATED				
	67491-1032	0.38 MICRON GOLD PLATED				
B	67491-1035	GOLD FLASH	2.35	2.40	2.00	
	67491-1036	0.76 MICRON GOLD PLATED				
	67491-1037	0.38 MICRON GOLD PLATED				
A	67491-1038	GOLD FLASH	3.00	3.20	2.40	
	67491-1039	0.76 MICRON GOLD PLATED				
	67491-1040	0.38 MICRON GOLD PLATED				

- NOTES:
- MATERIAL :
HOUSING: THERMAL PLASTIC, UL94V-0, COLOR: BLACK
TERMINAL/PEG: COPPER ALLOY
 - TERMINAL PLATING :
CONTACT AREA:
GOLD PLATED
SOLDER TAIL:
1.27 MOICRON MIN. TIN-LEAD OR TIN PLATED
UNDER PLATE:
1.27 MOICRON MIN. NICKEL PLATED
 - PEG PLATING:
1.27 MOICRON MIN. TIN-LEAD OR TIN PLATED
OVERALL 1.27 MOICRON MIN. TNICKEL UNDER PLATED
 - PACKAGING SPECIFICATION REFER TO PK-67491-001
 - PRODUCT SPECIFICATION REFER TO PS-67491-001
 - MATING PART: 67489
 - RECOMMENDED PROCESS: WAVE SOLDERING



EC NO: SH2005-0049 DRWN:GRMA 2004/09/03 CHKD:GRATE M&004/09/07 APPR: YTYAP 2004/09/10	QUALITY SYMBOLS ▽ - 0 ▽ - 0	GENERAL TOLERANCES (UNLESS SPECIFIED)	SCALE 4:1	DESIGN UNITS METRIC	THIRD ANGLE PROJECTION	REVISE ON CAD ONLY																
		<table border="1"> <thead> <tr> <th></th> <th>mm</th> <th>INCH</th> </tr> </thead> <tbody> <tr> <td>4 PLACES</td> <td>± ---</td> <td>± ---</td> </tr> <tr> <td>3 PLACES</td> <td>± ---</td> <td>± ---</td> </tr> <tr> <td>2 PLACES</td> <td>± 0.15</td> <td>± ---</td> </tr> <tr> <td>1 PLACE</td> <td>± 0.25</td> <td>± ---</td> </tr> <tr> <td colspan="3">ANGULAR ± 3 °</td> </tr> </tbody> </table>		mm	INCH	4 PLACES	± ---	± ---	3 PLACES	± ---	± ---	2 PLACES	± 0.15	± ---	1 PLACE	± 0.25	± ---	ANGULAR ± 3 °			DIMENSION STYLE MM ONLY	TITLE
	mm	INCH																				
4 PLACES	± ---	± ---																				
3 PLACES	± ---	± ---																				
2 PLACES	± 0.15	± ---																				
1 PLACE	± 0.25	± ---																				
ANGULAR ± 3 °																						
REV DESCRIPTION	DRAFT WHERE APPLICABLE MUST REMAIN WITHIN DIMENSIONS	APPROVED BY ERIC	DATE '01/06/21	CHECKED BY VINCENT	DATE '01/06/21	MATERIAL NO. SEE TABLE																
		APPROVED BY ERIC	DATE '01/06/21	CHECKED BY VINCENT	DATE '01/06/21	DOCUMENT NO. SD-67491-002	SHEET NO. 1 OF 1															



- NOTES:
- MATERIAL:
 - HOUSING: SEE TABLE, UL94V-0, COLOR: BLACK OR BULE (SEE P/N TABLE)
 - TERMINAL/PEG: COPPER ALLOY
 - TERMINAL PLATING :
 - CONTACT AREA: GOLD PLATED
 - SOLDER TAIL: 1.27 MICRON MIN. TIN PLATED
 - UNDER PLATE: 1.27 MICRON MIN. NICKEL PLATED
 - PEG PLATING:
 - 1.27 MICRON MIN. TIN PLATED
 - OVERALL 1.27 MICRON MIN. NICKEL UNDER PLATED
 - PACKAGING SPECIFICATION REFER TO PK-67491-001
 - PRODUCT SPECIFICATION REFER TO PS-67491-001
 - MATING PART: 67489
 - RECOMMENDED PROCESS: WAVE SOLDERING
 - PRODUCT COMPLIANT TO RoHS DIRECTIVE 2002/95/EC AND ELV DIRECTIVE 2000/53/EC*

OBSELETE PARTS EC NO: SH2011-0104 DRWING: GLL CHKD: RZHANG APPR: RZHANG 2010/10/22 2010/11/03	QUALITY SYMBOLS $F_A=0$ $F_G=0$ $F_P=0$	GENERAL TOLERANCES (UNLESS SPECIFIED) mm INCH 4 PLACES ± --- ± --- 3 PLACES ± --- ± --- 2 PLACES ± 0.15 ± --- 1 PLACE ± 0.25 ± --- ANGULAR ± 3°	DIMENSION STYLE MM ONLY	SCALE 4:1	DESIGN UNITS METRIC	THIRD ANGLE PROJECTION	
	DRAWN BY: RICHARD CHECKED BY: VINCENT APPROVED BY: RZHANG MATERIAL NO.	DATE: '01/06/21 DATE: '01/06/21 DATE: 2010/11/03	TITLE: 1.27MM HIGH SPEED SERIAL PLUG SERIAL TYPE	MOLEX INCORPORATED	DOCUMENT NO. SD-67491-002	SHEET NO. 1 OF 2	
	DRAFT WHERE APPLICABLE MUST REMAIN WITHIN DIMENSIONS	SEE CHART IN SHEET 2	THIS DRAWING CONTAINS INFORMATION THAT IS PROPRIETARY TO MOLEX INCORPORATED AND SHOULD NOT BE USED WITHOUT WRITTEN PERMISSION				

	10	9	8	7	6	5	4	3	2	1		
	P/N	CONTACT PLATING TYPE	"A"	"B"	PCB THICKNESS	SOLDERING PLATE	COLOR	PLASTIC TYPE				
F	67491-1030	GOLD FLASH	2.05	2.40	1.60	PURE TIN	BLACK	THERMAL PLASTIC				
	67491-1031	0.76 MICRON GOLD PLATED										
	67491-1032	0.38 MICRON GOLD PLATED										
	67491-1035	GOLD FLASH	2.35	2.40	2.00							
	67491-1036	0.76 MICRON GOLD PLATED										
	67491-1037	0.38 MICRON GOLD PLATED										
E	67491-1038	GOLD FLASH	3.00	3.20	2.40		PURE TIN		BLACK	THERMAL PLASTIC		
	67491-1039	0.76 MICRON GOLD PLATED										
	67491-1040	0.38 MICRON GOLD PLATED										
	67491-2031	0.76 MICRON GOLD PLATED	2.05	2.40	1.60							
	67491-2032	0.38 MICRON GOLD PLATED										
	67491-2035	GOLD FLASH										
D	67491-2036	0.76 MICRON GOLD PLATED	2.35	2.40	2.00	PURE TIN	BLUE PENTONE NO.293C ΔE<3	THERMAL PLASTIC				
	67491-2037	0.38 MICRON GOLD PLATED										
	67491-2038	GOLD FLASH	3.00	3.20	2.40							
	67491-2039	0.76 MICRON GOLD PLATED										
	67491-2040	0.38 MICRON GOLD PLATED										
	C	67491-1130	GOLD FLASH	2.05	2.40				1.60	PURE TIN	BLACK	HIGH TEMPERATURE THERMAL PLASTIC
67491-1131		0.76 MICRON GOLD PLATED										
67491-1132		0.38 MICRON GOLD PLATED										
67491-1135		GOLD FLASH	2.35	2.40	2.00							
67491-1136		0.76 MICRON GOLD PLATED										
67491-1137		0.38 MICRON GOLD PLATED										
67491-1138	GOLD FLASH	3.00	3.20	2.40								
67491-1139	0.76 MICRON GOLD PLATED											
67491-1140	0.38 MICRON GOLD PLATED											

B									
---	--	--	--	--	--	--	--	--	--

A	OBSELETE PARTS EC NO: SH2011-0104 CHKD: RZHDG APPR: RZHANG 2010/10/22 2010/11/03	DESCRIPTION QUALITY SYMBOLS $F_A=0$ $F_G=0$ $F_P=0$	GENERAL TOLERANCES (UNLESS SPECIFIED)		DIMENSION STYLE		SCALE	DESIGN UNITS	THIRD ANGLE PROJECTION			
					MM ONLY		4:1	METRIC				
					mm	INCH	DRAWN BY	DATE	TITLE			
					4 PLACES ± ---	± ---	RICHARD	'01/06/21	1.27MM HIGH SPEED SERIAL PLUG VERTICAL TYPE			
		3 PLACES ± ---	± ---	CHECKED BY	DATE							
		2 PLACES ± 0.15	± ---	VINCENT	'01/06/21							
		1 PLACE ± 0.25	± ---	APPROVED BY	DATE							
		ANGULAR ± 3 °		RZHANG	2010/11/03	MOLEX INCORPORATED						
		DRAFT WHERE APPLICABLE MUST REMAIN WITHIN DIMENSIONS		MATERIAL NO.		DOCUMENT NO.		SHEET NO.				
				SEE CHART		SD-67491-002		2 OF 2				
				THIS DRAWING CONTAINS INFORMATION THAT IS PROPRIETARY TO MOLEX INCORPORATED AND SHOULD NOT BE USED WITHOUT WRITTEN PERMISSION								