

**OBSOLETE PART**  
 EC NO: SH2011-0364 2011/06/10  
 DRAWN: JSONG 2011/06/10  
 CHKD:  
 APPR: RZHANG 2011/06/14

REV	DESCRIPTION
1	QUALITY SYMBOLS
2	QUALITY SYMBOLS
3	QUALITY SYMBOLS

GENERAL TOLERANCES (UNLESS SPECIFIED)	
	mm INCH
4 PLACES	± --- ± ---
3 PLACES	± --- ± ---
2 PLACES	± 0.15 ± ---
1 PLACE	± 0.15 ± ---
ANGULAR ± 2 °	
DRAFT WHERE APPLICABLE MUST REMAIN WITHIN DIMENSIONS	

DIMENSION STYLE	
MM ONLY	
DRAWN BY	DATE
JACK LIN	1998/08/06
CHECKED BY	DATE
WALLY WA	1998/08/06
APPROVED BY	DATE
MEGA LIN	1998/08/06
MATERIAL NO.	
67155-0001	

SCALE	DESIGN UNITS	THIRD ANGLE PROJECTION
2:1	METRIC	
TITLE		
50 CIRCUITS CF LOW PROFILE HEADER		
MOLEX INCORPORATED		SHEET NO.
DOCUMENT NO.		1 OF 3
SD-67155-001		
THIS DRAWING CONTAINS INFORMATION THAT IS PROPRIETARY TO MOLEX INCORPORATED AND SHOULD NOT BE USED WITHOUT WRITTEN PERMISSION		

10 9 8 7 6 5 4 3 2 1

F

E

D

C

B

A

F

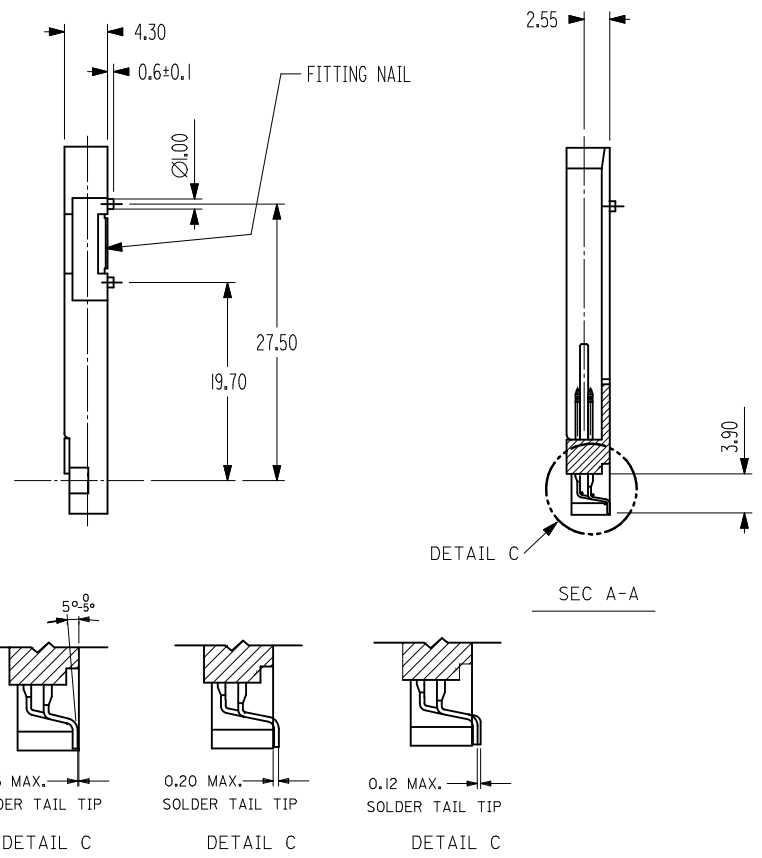
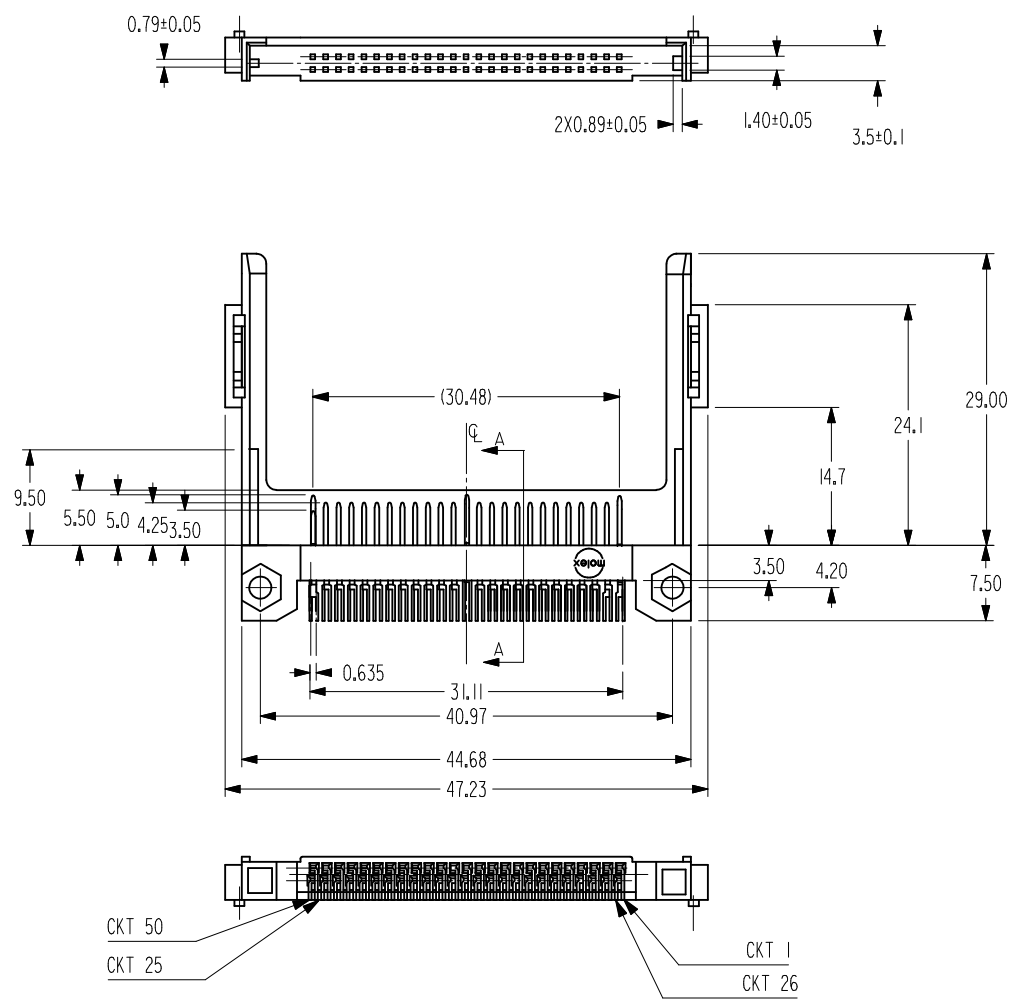
E

D

C

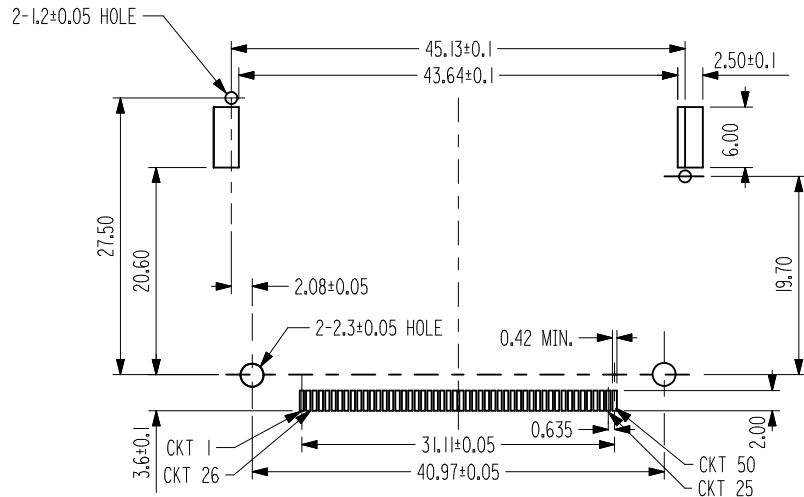
B

A

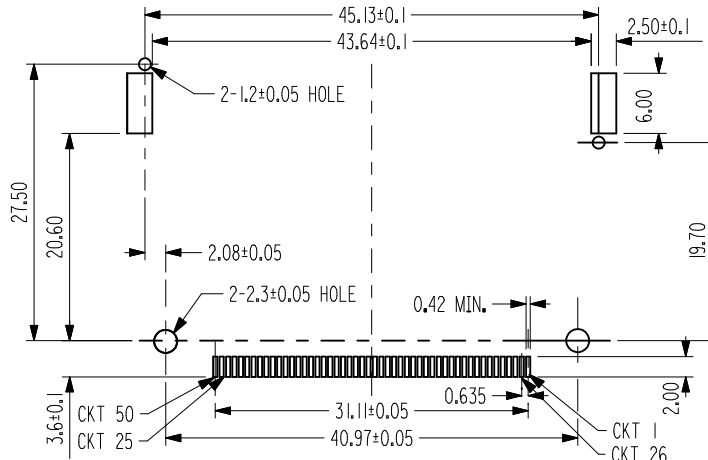


SEE SHEET 1 EC NO: SH2011-0364 DRWN: XJ SONG CHKD: CHYKD APPR: RZHANG	2011/06/10 2011/06/14	DESCRIPTION REV	QUALITY SYMBOLS	GENERAL TOLERANCES (UNLESS SPECIFIED)	DIMENSION STYLE	SCALE	DESIGN UNITS	THIRD ANGLE PROJECTION
			$F_{\Delta} = 0$ $F_{\square} = 0$ $F_{\phi} = 0$	mm    INCH 4 PLACES ± --- ± --- 3 PLACES ± --- ± --- 2 PLACES ± 0.15 ± --- 1 PLACE ± 0.15 ± --- ANGULAR ± 2 °	MM ONLY	2:1	METRIC	
				DRAWN BY: JACK LIN    DATE: 1998/08/06 CHECKED BY: WALLY WA    DATE: 1998/08/06 APPROVED BY: MEGA LIN    DATE: 1998/08/06	TITLE	50 CIRCUITS OF LOW PROFILE HEADER		
				MATERIAL NO. 67155-0002 DRAFT WHERE APPLICABLE MUST REMAIN WITHIN DIMENSIONS	MOLEX INCORPORATED DOCUMENT NO. SD-67155-001 SHEET NO. 2 OF 3			

9 8 7 6 5 4 3 2 1



RECOMMENDED PCB LAYOUT  
REVERSE TYPE



RECOMMENDED PCB LAYOUT  
STANDARD TYPE

NOTES:

1. MATERIAL : HOUSING: HIGH TEMP PLASTIC, UL94 V-0, COLOR: IVORY  
TERMINAL: COPPER ALLOY
2. PLATING: CONTACT AREA: AU OVER PD-NI  
SOLDERING TAIL: TIN  
NICKEL OVERALL  
FITTING NAIL: TIN  
NICKEL OVERALL
3. RECOMMENDED PCB THICKNESS: 0.8MM

4. THE COPLANARITY OF SOLDER TAILS SHOULD BE WITHIN 0.12 MM
5. FOR PRODUCT SPECIFICATION: REFER TO PS-67155-003

PART NUMBER	DISCRIPTION	PACKAGING
67155-0001	REVERSE TYPE	TYAY
67155-0002	STANDARD TYPE	PK-67155-001
67155-0004	STANDARD TYPE WITH MYLAR	TAPE & REEL PK-67155-002

SEE SHEET1 IEC NO: SH2011-0364 TDR: WNAJ.SONG CHKD: APPR: RZ.HANG	2011/06/10 2011/06/14	QUALITY SYMBOLS $\nabla_F = 0$ $\nabla_E = 0$ $\nabla_B = 0$	GENERAL TOLERANCES (UNLESS SPECIFIED)		DIMENSION STYLE <b>MM ONLY</b>		SCALE <b>2:1</b>	DESIGN UNITS <b>METRIC</b>	THIRD ANGLE PROJECTION	
			mm      INCH	DRAWN BY JACK LIN	DATE 1998/08/06	TITLE <b>50 CIRCUITS CF LOW PROFILE HEADER</b>				
			4 PLACES ± --- ± --- 3 PLACES ± --- ± --- 2 PLACES ± 0.15 ± --- 1 PLACE ± 0.15 ± ---	CHECKED BY WALLY WA	DATE 1998/08/06	MOLEX MOLEX INCORPORATED				
			ANGULAR ± 2 °	APPROVED BY MEGA LIN	DATE 1998/08/06	MATERIAL NO. <b>SEE TABLE</b>	DOCUMENT NO. <b>SD-67155-001</b>	SHEET NO. <b>3 OF 3</b>		
DRAFT WHERE APPLICABLE MUST REMAIN WITHIN DIMENSIONS			THIS DRAWING CONTAINS INFORMATION THAT IS PROPRIETARY TO MOLEX INCORPORATED AND SHOULD NOT BE USED WITHOUT WRITTEN PERMISSION							