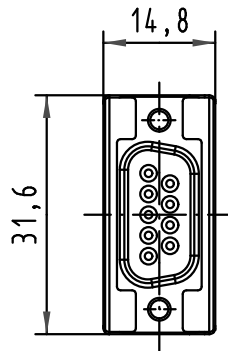
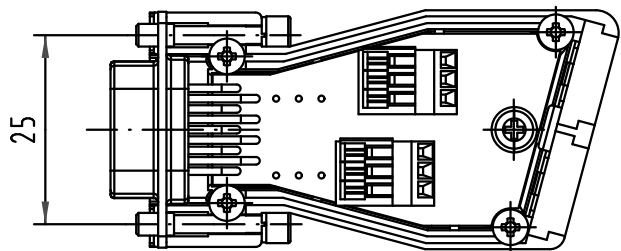
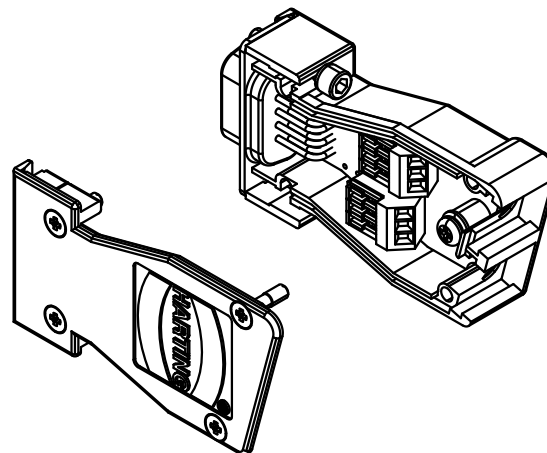
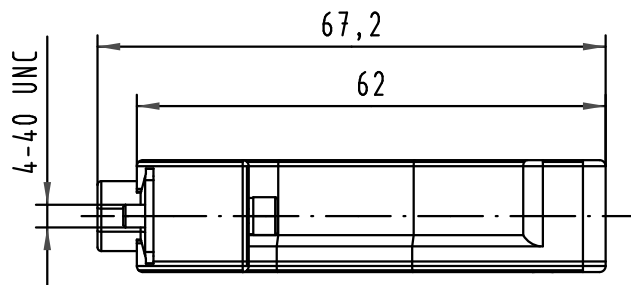
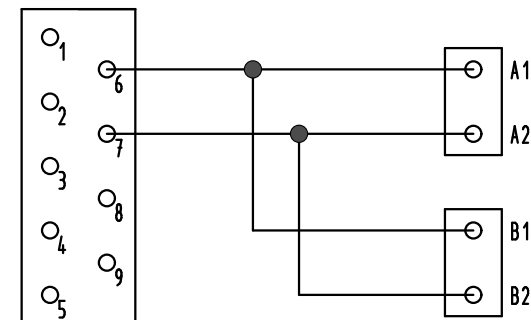


Darstellung ohne Deckel
view without cover



FIP interface



	All Dimensions in mm Original Size DIN A 4			Techn. Character.		Nicht tolerierte Maßel Free size tolerances			
				Dat.	Name		Maßstab/Scale		
				Detail.	06.04.05 Bus.	InduCom 9 Female - FIP middle of the line 4/40 UNC - Without clamp accessory			
				Insp.			1:1		
				Stand.					
66 63 009 5017	S4	36171	05/10/10	SC			TB 66 63 009 X017		
Part number	Performance level	36094	06/09/10	BH				HARTING EURL F-95972 Paris	Blatt/ page
		32614							Sub.
		Mod.	Dat.	Name					