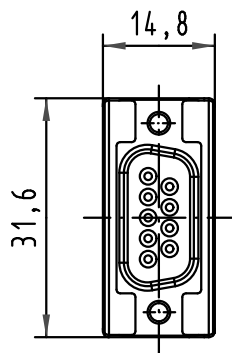
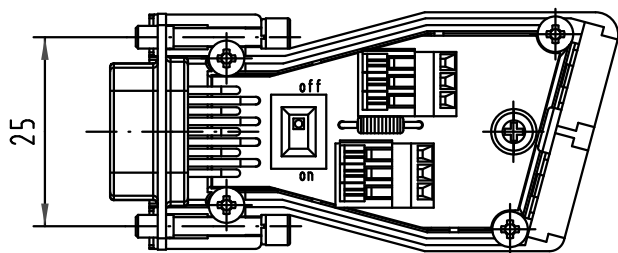
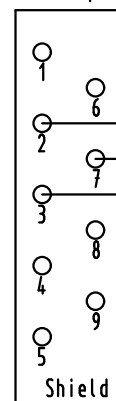


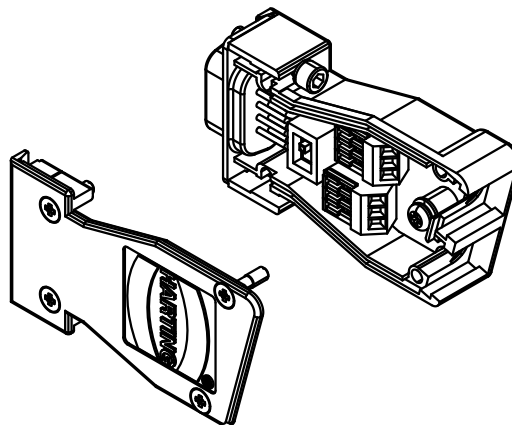
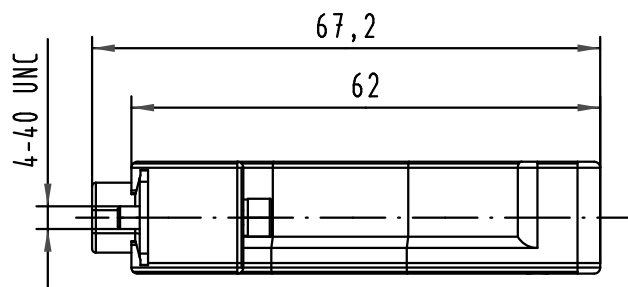
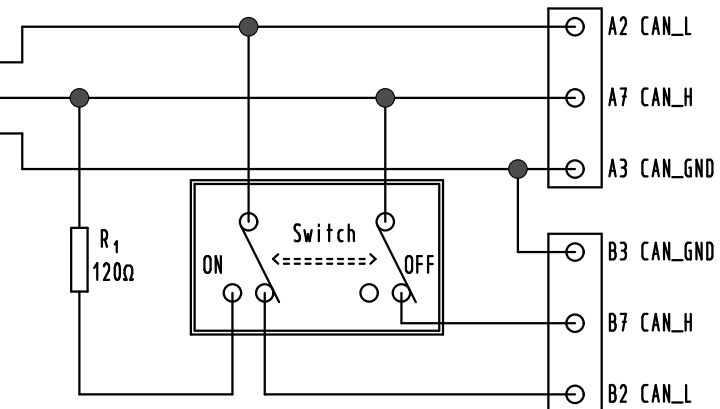
Darstellung ohne Deckel  
view without cover



D-Sub 9 poles



CAN Interface



<p>All Dimensions in mm Original Size DIN A 4</p>	Techn. Character.			Nicht tolerierte Maß/Free size tolerances		
		Dat.	Name	Maßstab/Scale <b>1:1</b>	<p><b>InduCom 9</b> Female - CAN - 4-40 UNC Without clamp accessory</p>	
		Detail.	02/09/10			BH
		Insp.				
	Stand.					
36178	08/10/10	SC			<p><b>TB 66 63 009 X009</b></p>	
36094	02/09/10	BH	<p>HARTING EURL F-95972 Paris</p>			
Mod.	Dat.	Name	Sub.		<p>Blatt/ page 1 / 1</p>	

66 63 009 5009	S4
Part number	Performance level