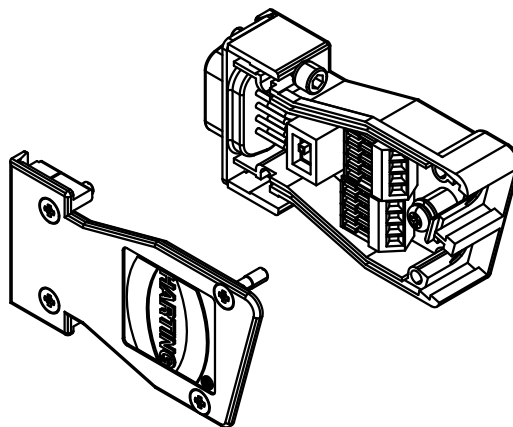
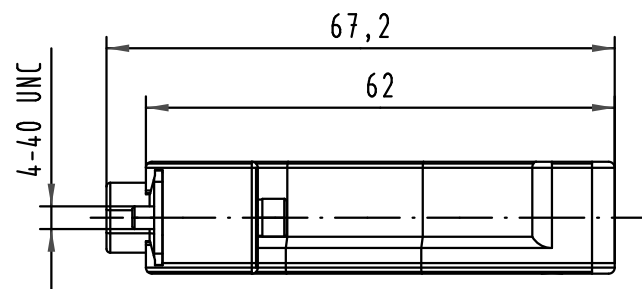
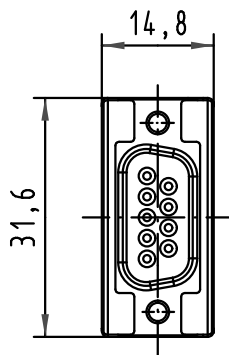
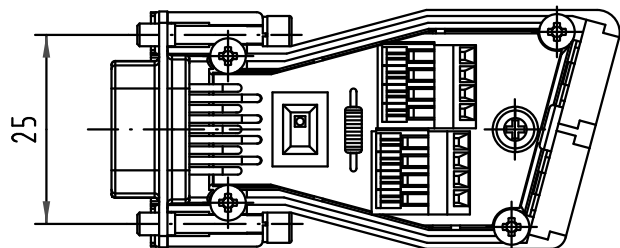
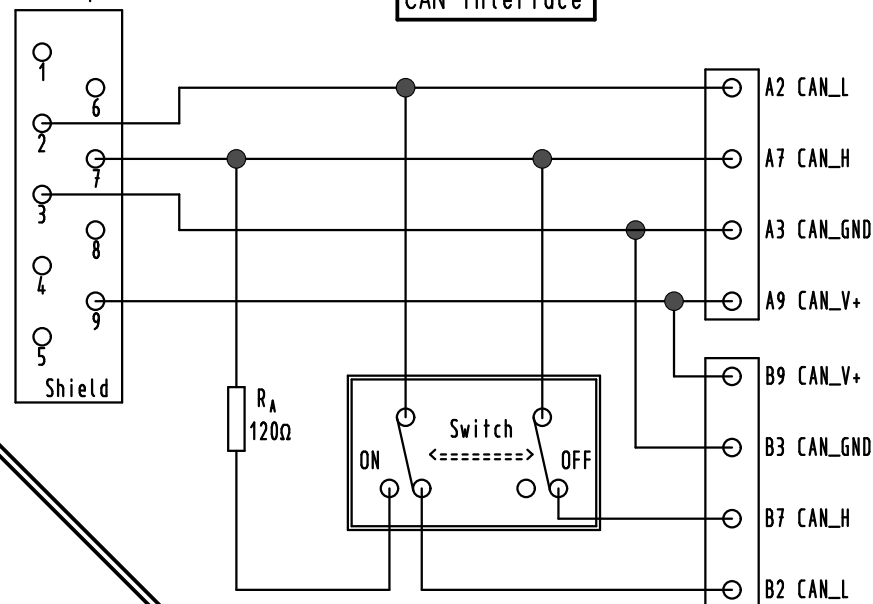


Darstellung ohne Deckel
view without cover



D-Sub 9 poles

CAN Interface



	All Dimensions in mm Original Size DIN A 4		Techn. Character.		IP40	Nicht tolerierte Maß/Free size tolerances		
			Dat.	Name	Maßstab/Scale 1:1	InduCom 9 female - CAN - 4/40 UNC without clamp accessory		
			Detail.	28.06.06				Leh.
			Insp.					
		Stand.						
66 63 009 5008	S4	36094	14/09/10	BH			TB 66 63 009 5008	
Part number	Performance level	33626						F-95972 Paris
		Mod.	Dat.	Name	Sub.			