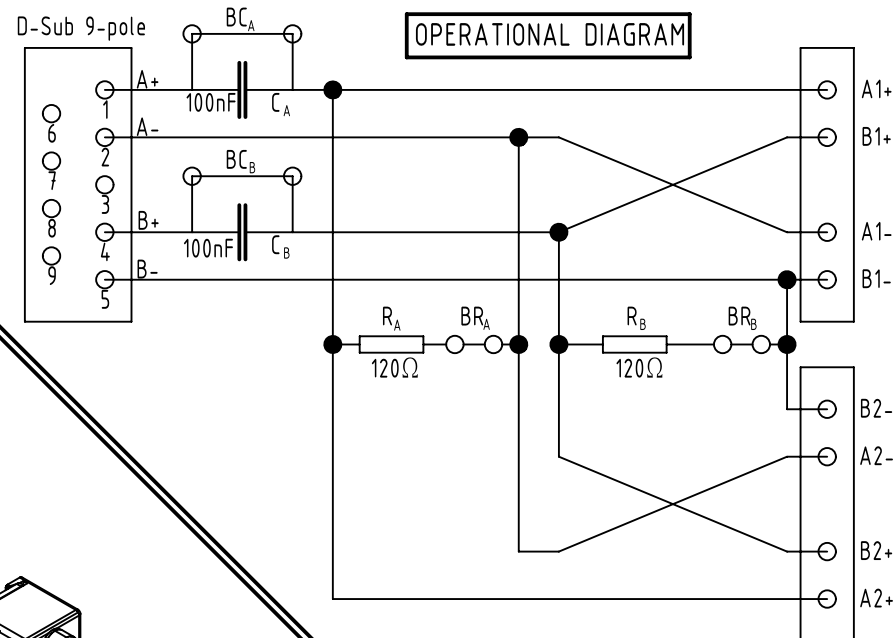
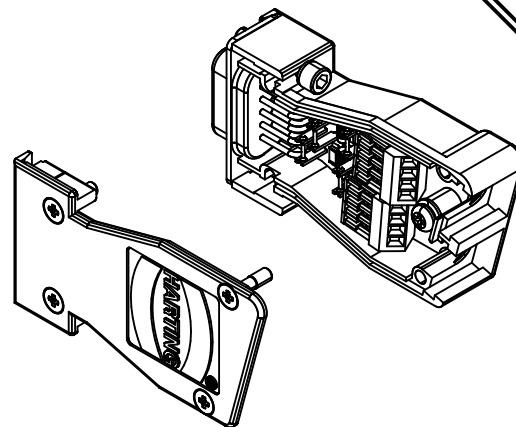
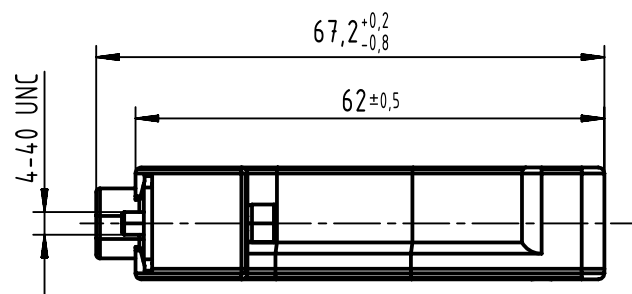
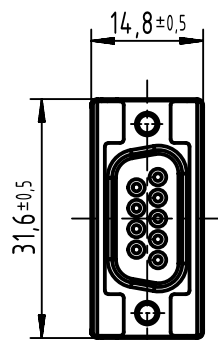
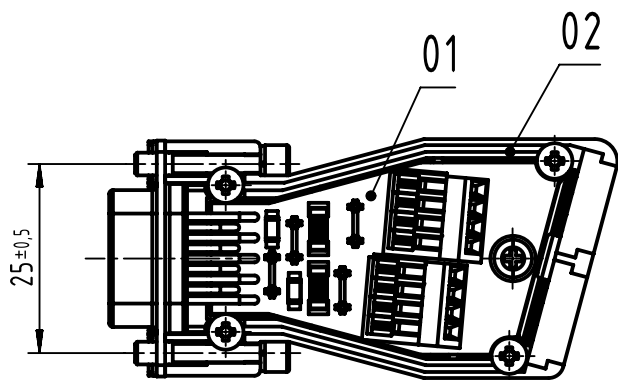


view without cover



in set inclusive :

| Number | Description |
|--------|------------------------|
| 2 | Crimp flange 6,0-7,0 |
| 2 | Crimp ferrule 9,5-10,5 |
| 1 | blanking piece 9-37 |
| 1 | lable line A |
| 1 | lable line B |

| | | | | | | | |
|----------------------------------|---|--|--------------------------|----------------------------|--------------------|--|--|
| | All rights reserved Department EL PD | All Dimensions in mm Original Size DIN A4 | | Scale 1:1 | Free size tol. | Ref. Sub. | |
| | | Created by ZHUANGJ | Inspected by LUOK | Standardisation RUETERA | Date 2022-10-20 | State Final Release | |
| HARTING D-32339 Espelkamp | | Title InduCom 9 MVB/WTB 4-40 UNC female | | | | Doc-Key / ECM-Nr. 100075722/UGD/017/B 500000228034 | |
| 6663 009 6028 YYC Part number | PL2 Performance level | Type TB | Number 66630096028YYC | | Rev. B | Page 1/1 | |