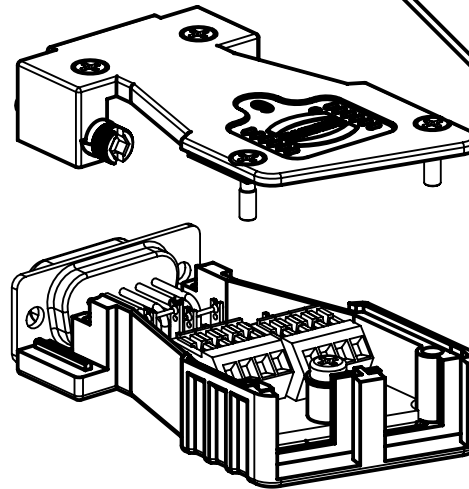
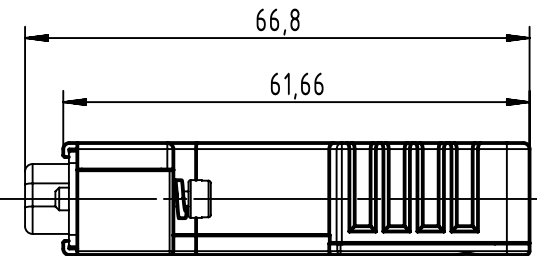
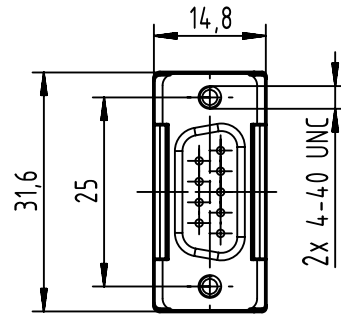
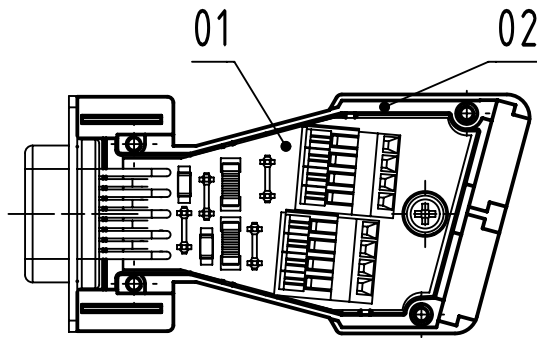
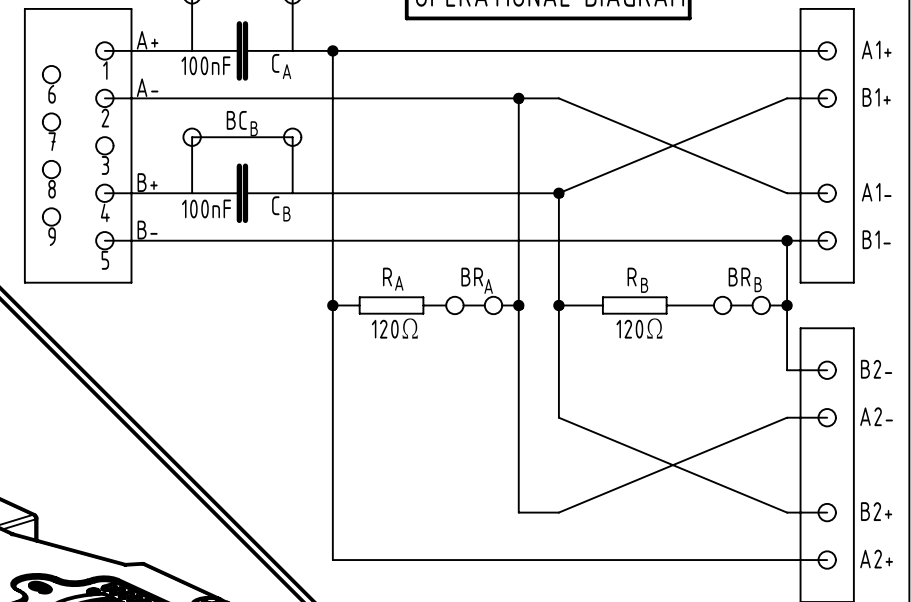


View without cover



D-Sub 9 poles



OPERATIONAL DIAGRAM

in set inclusive :

number	description
2	crimp flange 7,0-8,0
2	crimp ferrule 11,0-12,0
1	blanking piece 9-37P
1	label line A, B

6663 009 5032 777	PL1	Small batch
6663 009 5032	PL1	Standard batch
Part number	Performance level	Remark

	All rights reserved Department EL PD	All Dimensions in mm Original Size DIN A4		Scale 1:1	Free size tol.	Ref.
		Created by ZHUANGJ	Inspected by LUOK	Standardisation ROEBEN	Date 2021-08-04	State Final Release
HARTING D-32339 Espelkamp		Title InduCom 9 MVB/WTB male 4-40UNC			Doc-Key / ECM-Nr. 100073192/UGD/044/B 500000200533	
		Type TB	Number 66630095032		Rev. B	Page 1/1