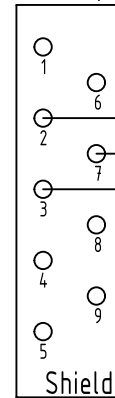
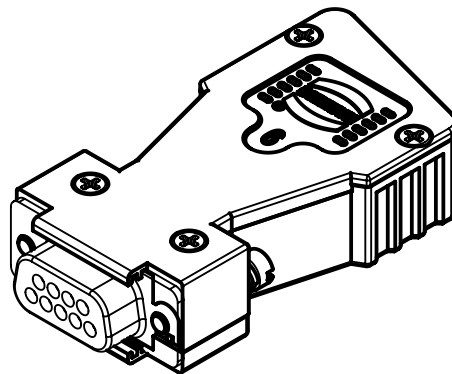
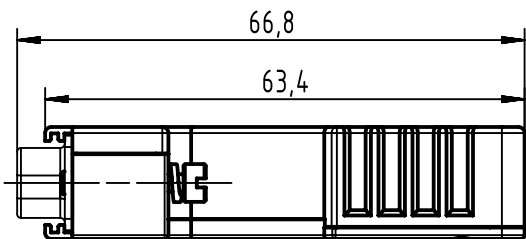
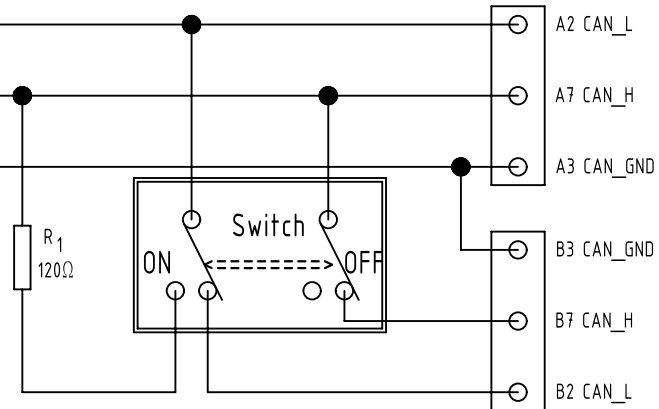


D-Sub 9 poles



CAN Interface



in set inclusive :

number	description
2	Crimp flange 6,0-7,0
2	Crimp ferrule 10,0-11,0
1	blanking piece 9-37

66 63 009 5016	S4
Part number	Performance level

	All rights reserved Department EL PD	All Dimensions in mm Original Size DIN A4		Scale 1:1	Free size tol.	Ref. Sub.
		Created by ZHUANGJ	Inspected by ZENG D	Standardisation HOFFMANN	Date 2020-04-10	State Final Release
HARTING Electronics GmbH D-32339 Espelkamp		Title InduCom 9 Female CAN 4-40 UNC			Doc-Key / ECM-Nr. 100073158/UGD/025/B 500000170706	
		Type TB	Number 66630095016		Rev. B	Page 1/1