

D-Sub Plastic Cover, Side cable entry

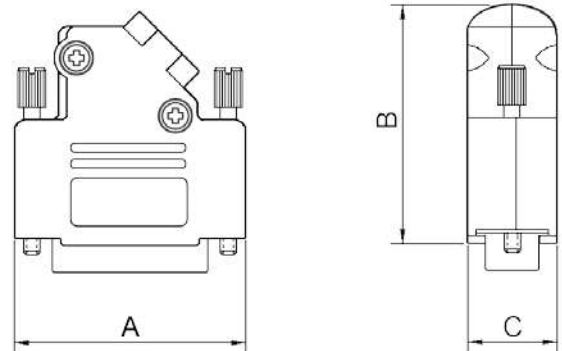
TECHNICAL SPECIFICATIONS

Material: UL 94 V-0 Plastic Material
 Operating Temperature: -55°C to +110°C
 Cable Entry: Side
 Thumbscrews: UNC 4-40 (Standard)
 M2,5 or M3 on request
 Cable O.D: 9-37-way: Up to 11,7mm
 Colour: Black

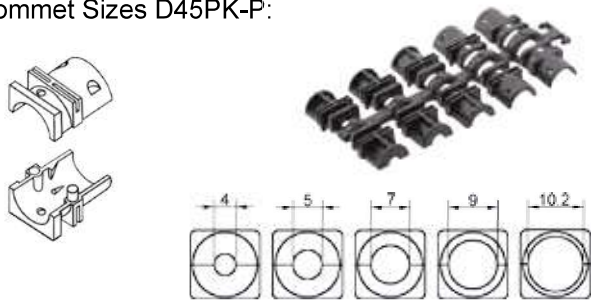


Features:

- Available in sizes 9-15-25-37
- Suitable for any common Sub-D connector
- Strain relief inserts ensure a secure termination
- Re-openable
- Also available in Matalized and Full Metall version



Grommet Sizes D45PK-P:



Size D45PK-P	Dim A	Dim B	Dim C
9-way	31,0	36,3	15,0
15-way	39,5	40,3	15,0
25-way	53,2	40,3	15,0
37-way	69,7	40,3	15,0

Ordering information:

Size:	P/N - Kitted:	Product Code:
9-way	6560-0107-11	D45PK-P-09-BK-K
15-way	6560-0107-12	D45PK-P-15-BK-K
25-way	6560-0107-13	D45PK-P-25-BK-K
37-way	6560-0107-14	D45PK-P-37-BK-K

Size:	P/N - BULK:	Product Code:
9-way	6561-0107-11	D45PK-P-09-BK
15-way	6561-0107-12	D45PK-P-15-BK
25-way	6561-0107-13	D45PK-P-25-BK
37-way	6561-0107-14	D45PK-P-37-BK

