



Rd-03 Specification

Version V1.1.0

Copyright ©2023

Document resume

Version	Date	Develop/revise content	Edition	Approve
V1.1.0	2023.05.11	First Edition	Jiye Yang	Ning Guan

Content

1. Product Overview	4
1.1. Characteristic	5
2. Main parameters	6
2.1. Static electricity requirements	6
2.2. Electrical characteristics	6
2.3. Radar sensing range	7
2.4. Power	7
3. Appearance size	8
4. Pin definition	9
5. Schematic diagram	10
6. Design guidance	11
6.1. Application guide circuit	11
6.2. Recommended PCB package size	11
6.3. Precautions for radar installation	12
6.4. Installation environment requirements	12
6.5. Installation mode and induction range	13
6.6. Power Supply	15
6.7. GPIO	15
7. Storage conditions	16
8. Reflow welding curve diagram	16
9. Product package information	17
10. Contact us	17
Disclaimer and copyright notice	18
Notice	18
Statement	19

1. Product Overview

Rd-03 is a radar module developed by Shenzhen Ai-Thinker Technology Co., LTD. It equipped with silicon micro-S3KM1110 chips. S3KM1110 is an integrated single-chip millimeter-wave sensor SoC based on FMCW radar transceiver technology. Operates in 24 GHz K-band with up to 1 GHz modulation bandwidth per frequency. FMCW continuous wave is used to detect the target in the set space. Combined with radar signal processing and accurate human body sensing algorithm, high sensitivity human presence state sensing can be realized to recognize human body in motion and static state.

The Rd-03 module can sense whether there is a moving or micro-moving human body in the area, and realize real-time detection results. A visual configuration tool is provided to easily configure the sensing distance range, sensing sensitivity in different intervals and unmanned delay time, etc.

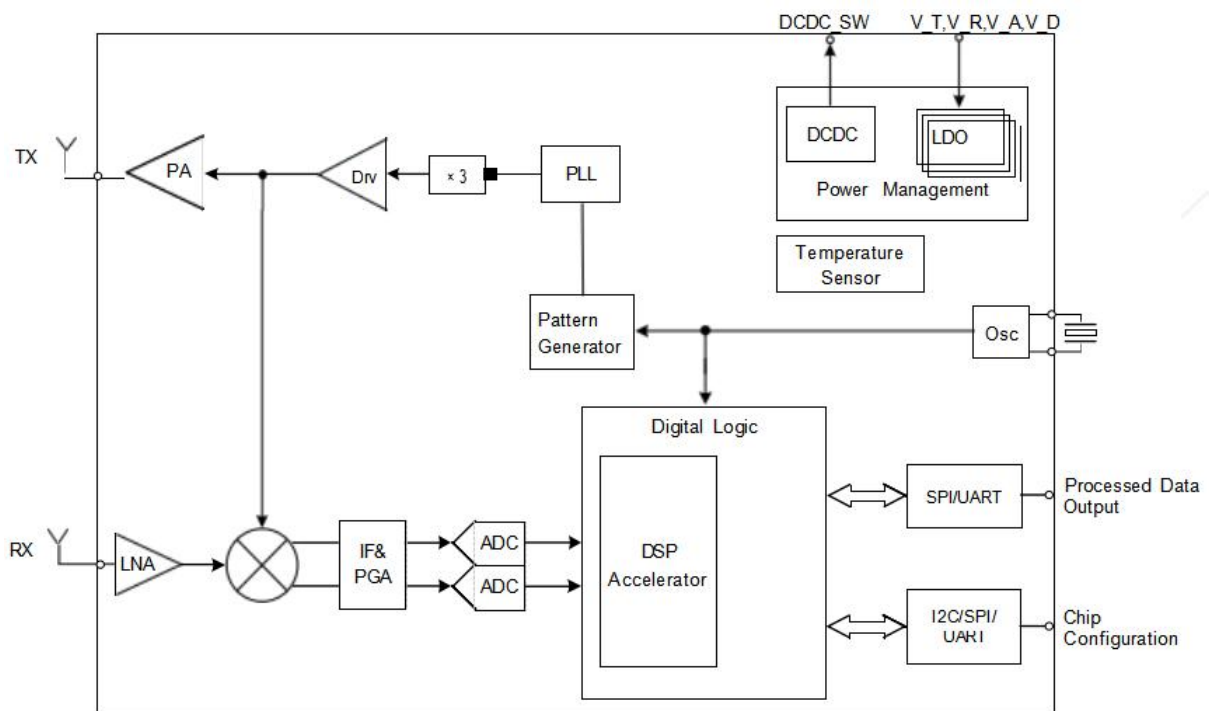


Figure 1 S3KM1110 architecture diagram

1.1. Characteristic

- DIP package, standard 2.54mm pin
- Radar support 24 GHZ ISM frequency band
- The radar antenna supports 1 receive and 1 transmit, antenna beam narrow, high resolution, frequency bandwidth, strong anti-interference
- The radar's max sensing range is up to 5 meters
- Radar angle is big, range of ± 60 degrees
- Radar range and accurate recognition, support induction range, shielding range outside interference
- Ultra-small size: 20*20mm, Plug and play, real-time reporting of detection results
- The intelligent adjustment of radar parameters can be realized through the serial port, which is convenient and fast
- Support various installation methods such as ceiling and wall
- Support UART
- Typical application scenarios
 - ✓ Human sensor light control
 - ✓ Human body induction wake-up of advertising screen and other equipment
 - ✓ life safety protection
 - ✓ Smart Appliances
 - ✓ Smart Security
 - ✓ smart lighting
 - ✓ New energy charging/parking monitoring facilities

2. Main parameters

Table 1 main parameters

Model	Rd-03
Package	DIP-5
Size	20.0*20.0(± 0.2)mm
Antenna	On-board antenna
Frequency	24G ~24.25GHz
Operation temperature	-40°C ~ 85°C
Storage environment	-40°C ~ 125°C, < 90%RH
Power supply	Support voltage 3.0V ~ 3.6V, power supply current ≥ 200 mA
Interfaces	UART
UART rate	Default 115200 bps

2.1. Static electricity requirements

Rd-03 is an electrostatic sensitive equipment, special precautions should be taken during handling.



Figure 2 ESD anti-static diagram

2.2. Electrical characteristics

Table 2 Electrical Characteristics Table

Parameter	Conditio	Min.	Typical value	Max.	Unit
Power supply	VDD	3.0	3.3	3.6	V
I/O	VIL	-	0	0.8	V
	VIH	-	2.3	VDD	V
	VOL	-	0	0.45	V
	VOH	-	2.45	VDD	V

2.3. Radar sensing range

Table 3 Radar induced range

Installation	Min.	Typical	Max.	Unit
Wall hanging mode ($\pm 60^\circ$ range)	-	10	-	M
Ceiling method (3m hanging height), circular projection radius	-	5	-	M

Notice:

- The above sensing distance is measured based on the open space of Anxinke, for reference only.
- The radar sensing distance is greatly affected by surrounding walls, ceilings, large-sized objects, and installation methods. The actual measurement data of the installation environment shall prevail.

2.4. Power

The following power consumption data is based on a 3.3V power supply and an ambient temperature of 25° C

Table 4 Power Consumption Table

Model	Min.	AVG	Max.	Unit
working status	-	50	-	mA

3. Appearance size

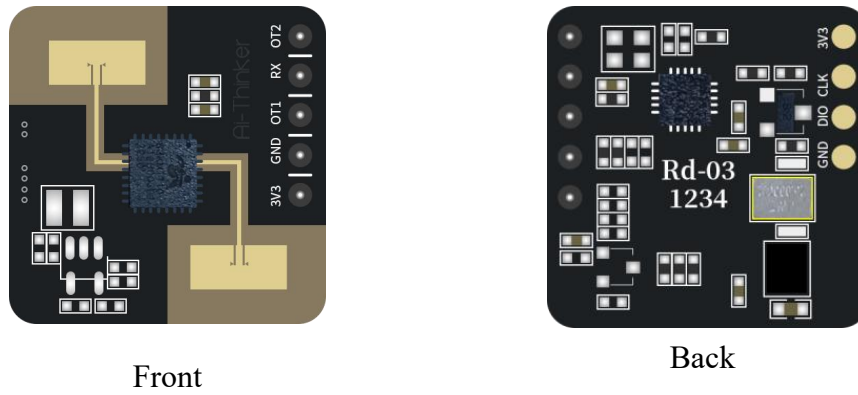


Figure 3 Appearance diagram (rendering diagram is for reference only, subject to the actual object)

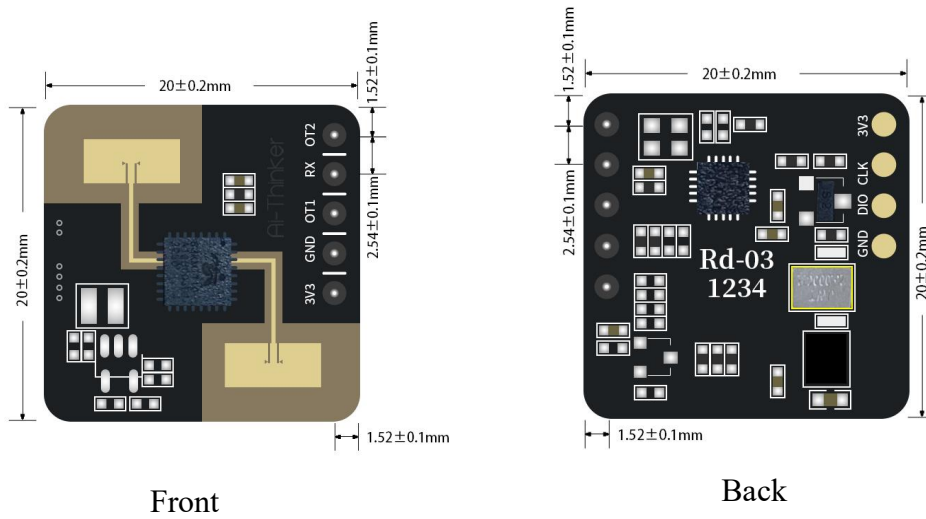


Figure 4 Size chart

4. Pin definition

Rd-03 connects to a total of 5 interfaces, for example, the pin diagram, the pin function definition table is the interface definition

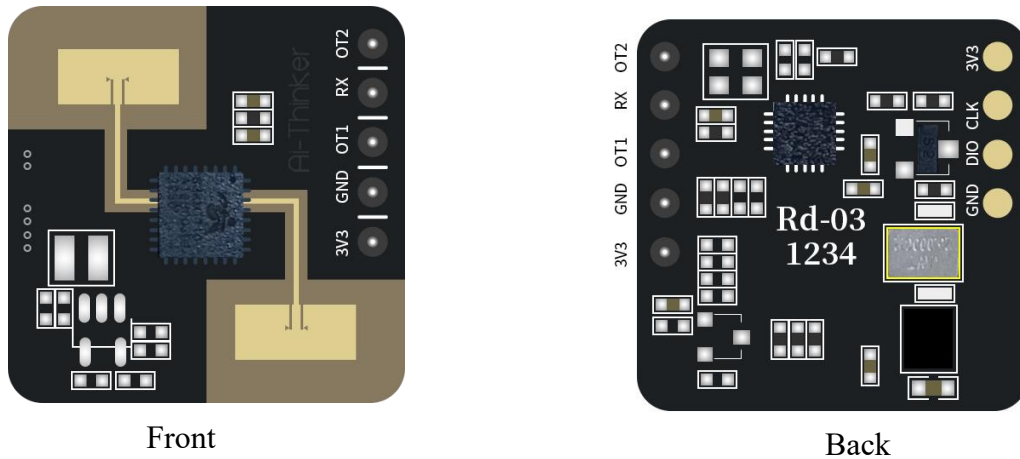


Figure 5 Pin diagram

Table 5 Definition table of pin functions

No.	Name	Function
1	3V3	input power
2	GND	Ground
3	OT1	UART_TX
4	RX	UART_RX
5	OT2	Detection result output, output high level when sensing, output low level when not sensing

5. Schematic diagram

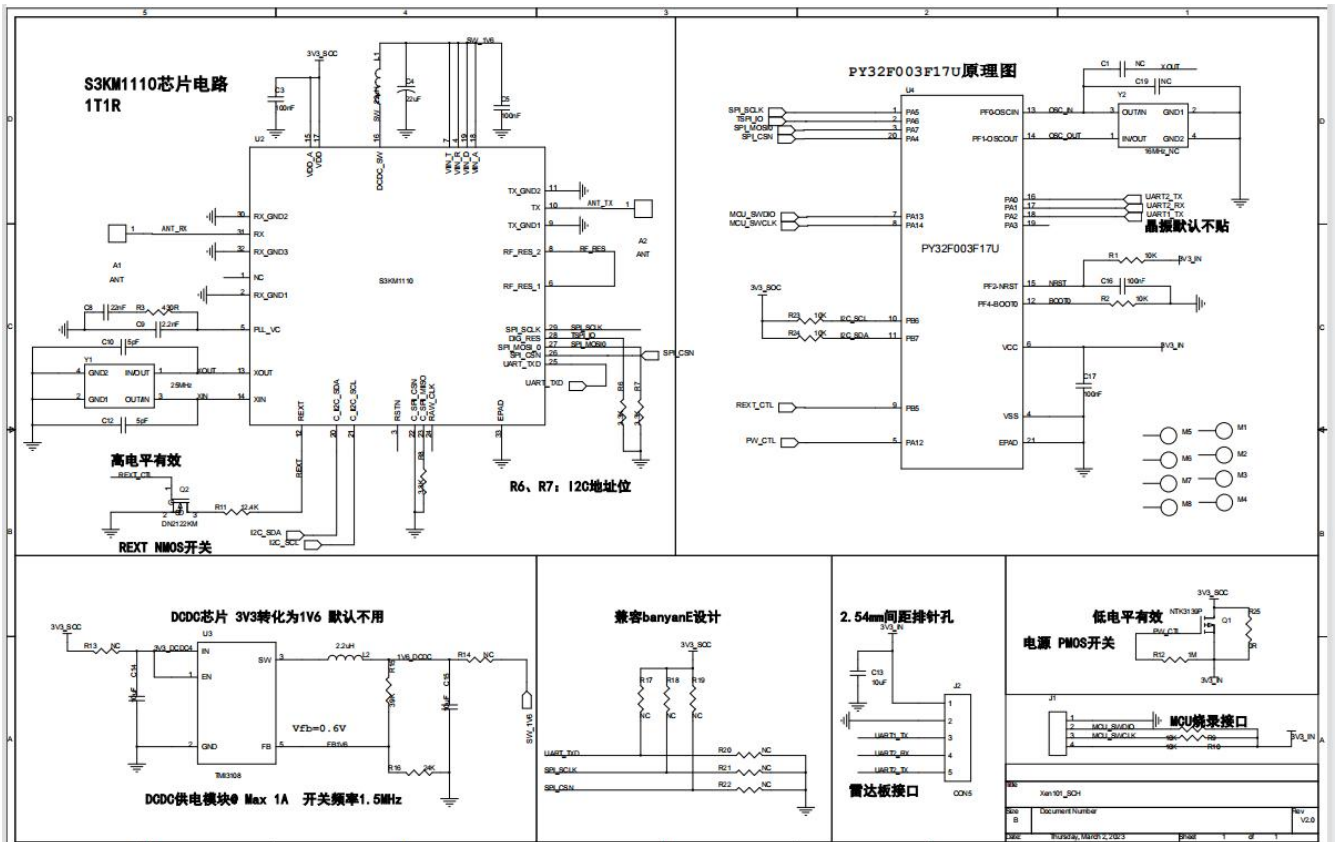


Figure 6 Schematic diagram

6. Design guidance

6.1. Application guide circuit

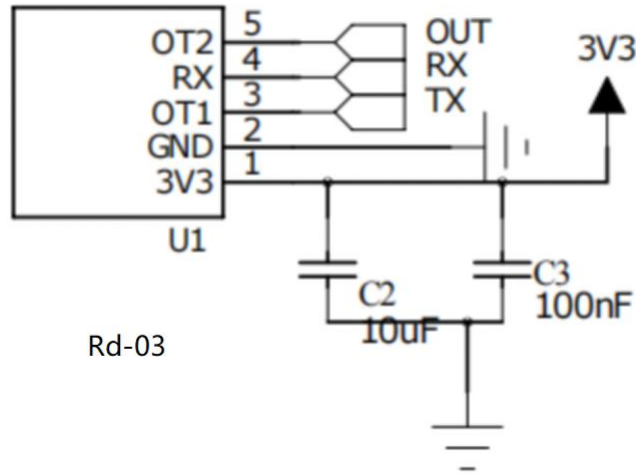


Figure 7 Application guide circuit

6.2. Recommended PCB package size

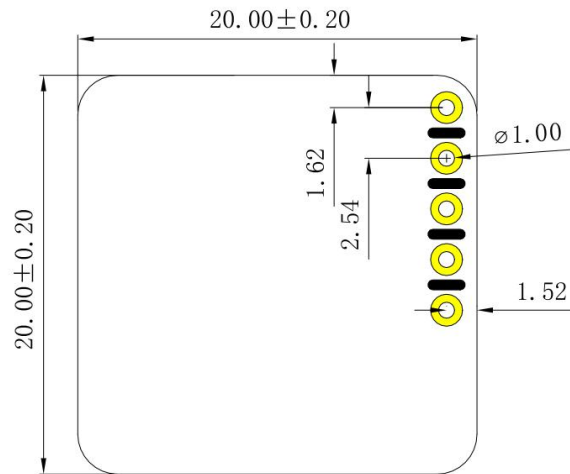


Figure 8 Recommended PCB package size

Note::

- Rd-03 module adopts standard pin header interface with 5pin-2.54mm spacing

6.3. Precautions for radar installation

- In motherboard installation position, it is recommended that the following several ways:
- ✓ As far as possible to ensure that the radar antenna is opposite to test area, and the antenna around open without sunscreen.
- ✓ ensure that the radar installation position is firm, stable, shaking will influence the effect of detection of radar itself.
- ✓ ensure that there won't be on the back of radar object movement or vibration. Due to the penetrating nature of radar waves, the antenna signal back lobe may detect moving objects on the back of the radar. A metal shield or metal backplane can be used to shield the radar back flap to weaken the influence of objects on the back of the radar.
- ✓ The theoretical range accuracy of radar is obtained by special algorithm on the basis of the physical resolution of 0.75m. As target size, condition, different, such as RCS target distance accuracy will fluctuate; And the farthest distances fluctuate a little bit.
- In order to meet the performance of on-board antenna, antenna surrounding prohibited, metal pieces, far away from the high frequency components.

6.4. Installation environment requirements

This product needs to be installed in a suitable environment. If it is used in the following environments, the detection effect will be affected:

- Induction of continuous movement in the area of nonhuman objects, such as animals, sustained oscillation of the curtain, is the outlet of the large strain of green plant, etc.
- induction area exists the strong reflector of large area, strong reflector is of the radar antenna can cause interference.
- When mounting the wall, need to consider the top of the indoor air conditioning, electric fan etc. External interference factors.

6.5. Installation mode and induction range

■ Hanging roof installation

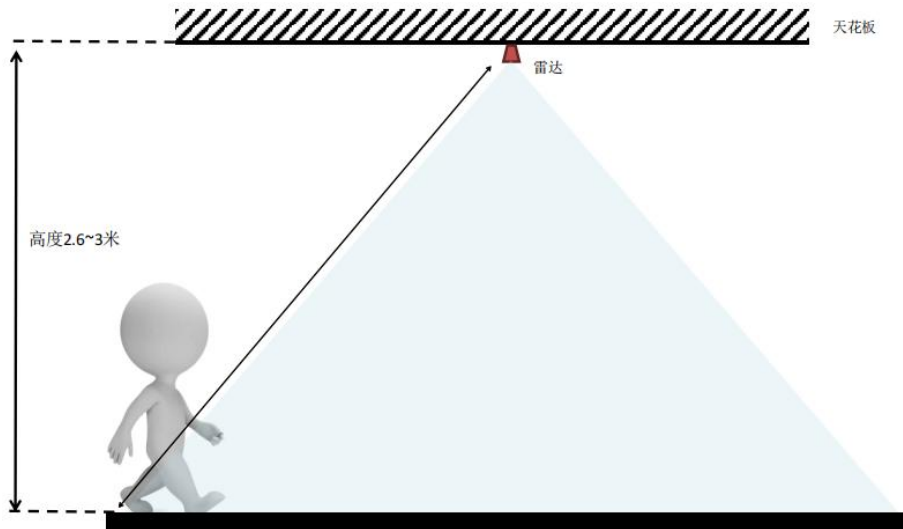


Figure 9 Schematic diagram of mounting the roof

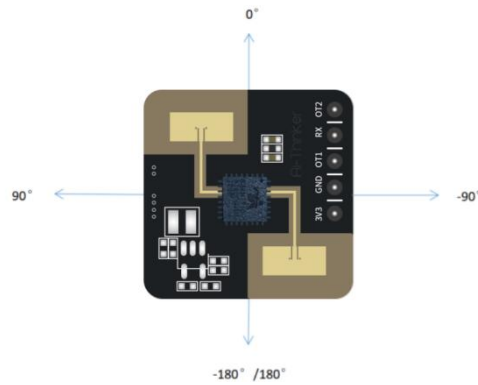


Figure 10 Schematic diagram of the direction of the ceiling

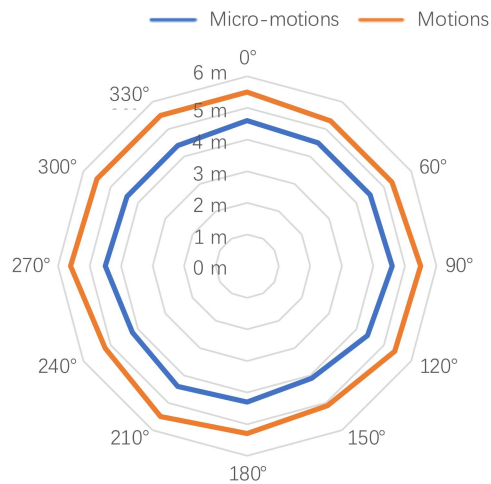


Figure 11 Radar map of the ceiling

■ Wall mounting mode

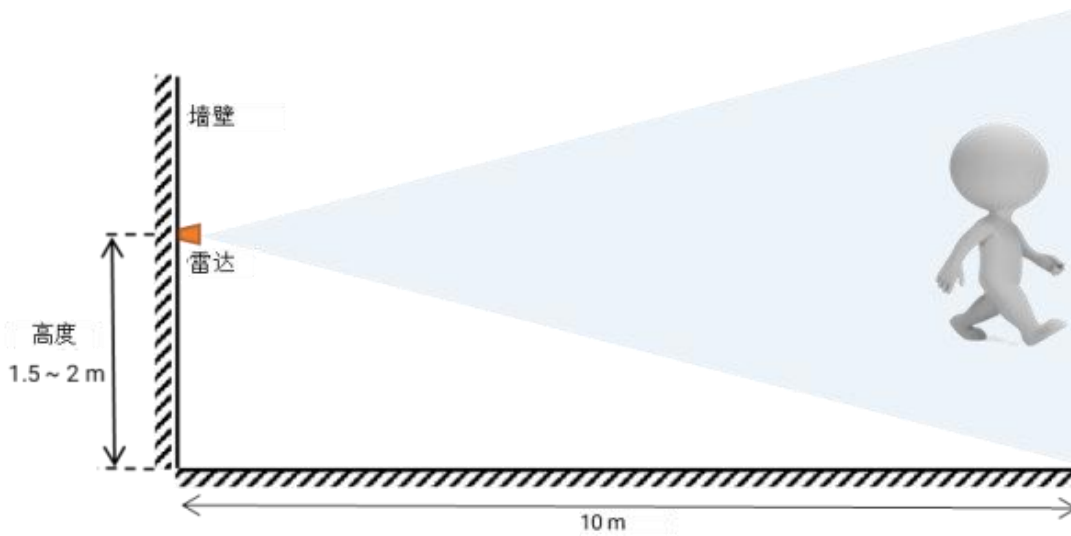


Figure 12 Schematic diagram of wall mounting

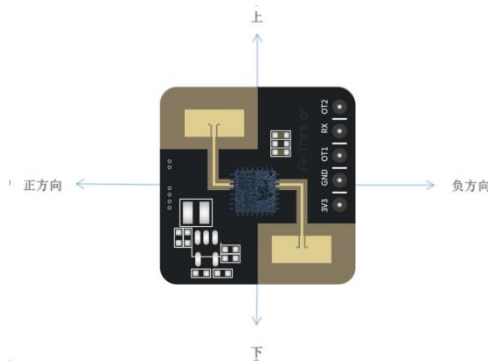


Figure 13 Schematic diagram of wall-mounting direction

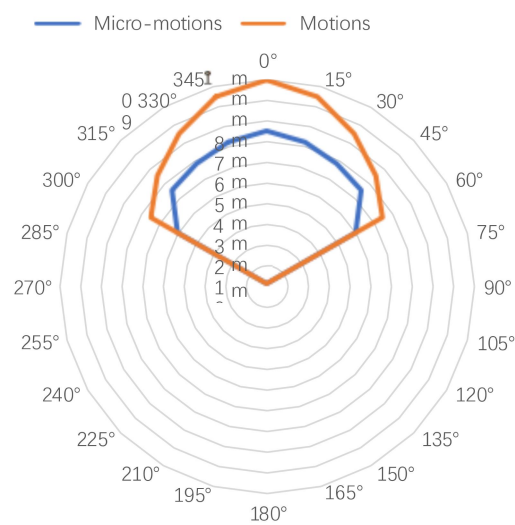


Figure 14 Wall-mounted radar char

6.6. Power Supply

- Recommended voltage is 3.3V and the peak current is above 200mA.
- Recommended to use LDO as power supply ; If using DC-DC, it is recommended to control ripple within 30mV.
- DC - DC power supply circuit suggested the reserved capacitance position, dynamic response can be large changes in load and optimize the output ripple.
- 3.3V power supply interface increases ESD device is recommended.

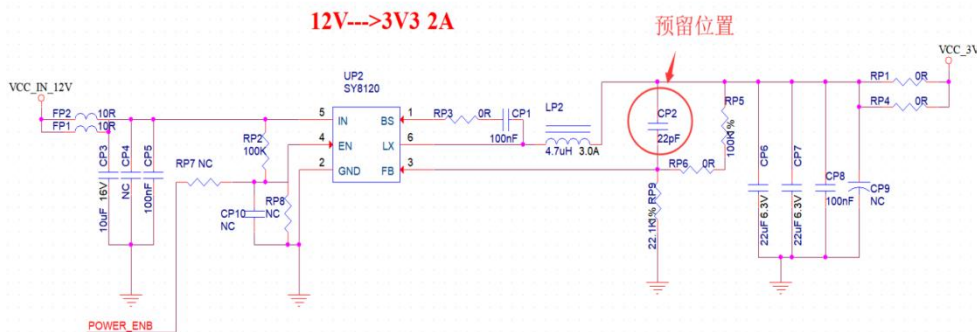


Figure 15 DC-DC step-down circuit diagram

6.7. GPIO

- Some IO ports are drawn from the periphery of the module. If necessary, it is recommended to use 10-100 ohm resistors in series on the IO ports. It can suppress overshoot, so make level both sides more smoothly. It helps EMI and ESD.
- Special IO mouth pull up or down, need to refer to instructions on the use of the specification, here will affect the launch configuration module.
- Module IO port is 3.3 V if the master IO mouth level does not match with module, need to increase the level conversion circuit.
- If IO mouth directly connected to the peripheral interface, or terminal, such as row needles, and Suggestions on the IO mouth line near the terminal obligate ESD device.

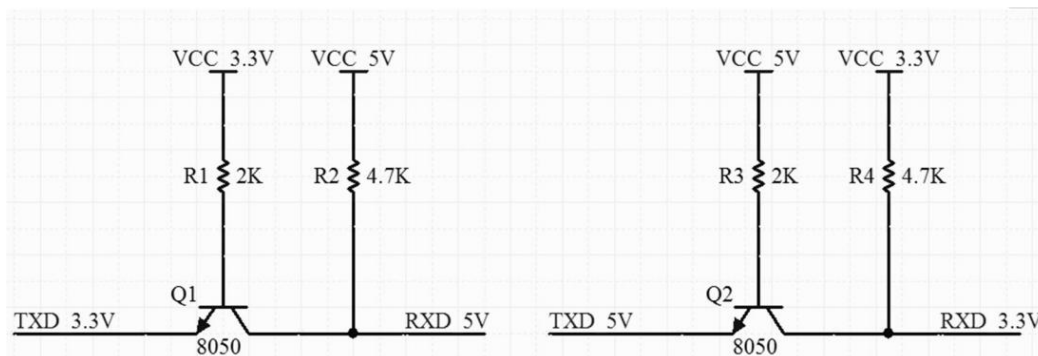


Figure 16 Level switching circuit

7. Storage conditions

Products sealed in moisture-proof bags should be stored in a non-condensing atmosphere at $<40^{\circ}\text{C}/90\%\text{RH}$.

The module's moisture sensitivity level MSL is level 3.

After the vacuum bag is unwrapped, it must be used within 168 hours at $25 \pm 5^{\circ}\text{C}/60\%\text{RH}$.

Otherwise, it needs to be baked before it can be put on line again.

8. Reflow welding curve diagram

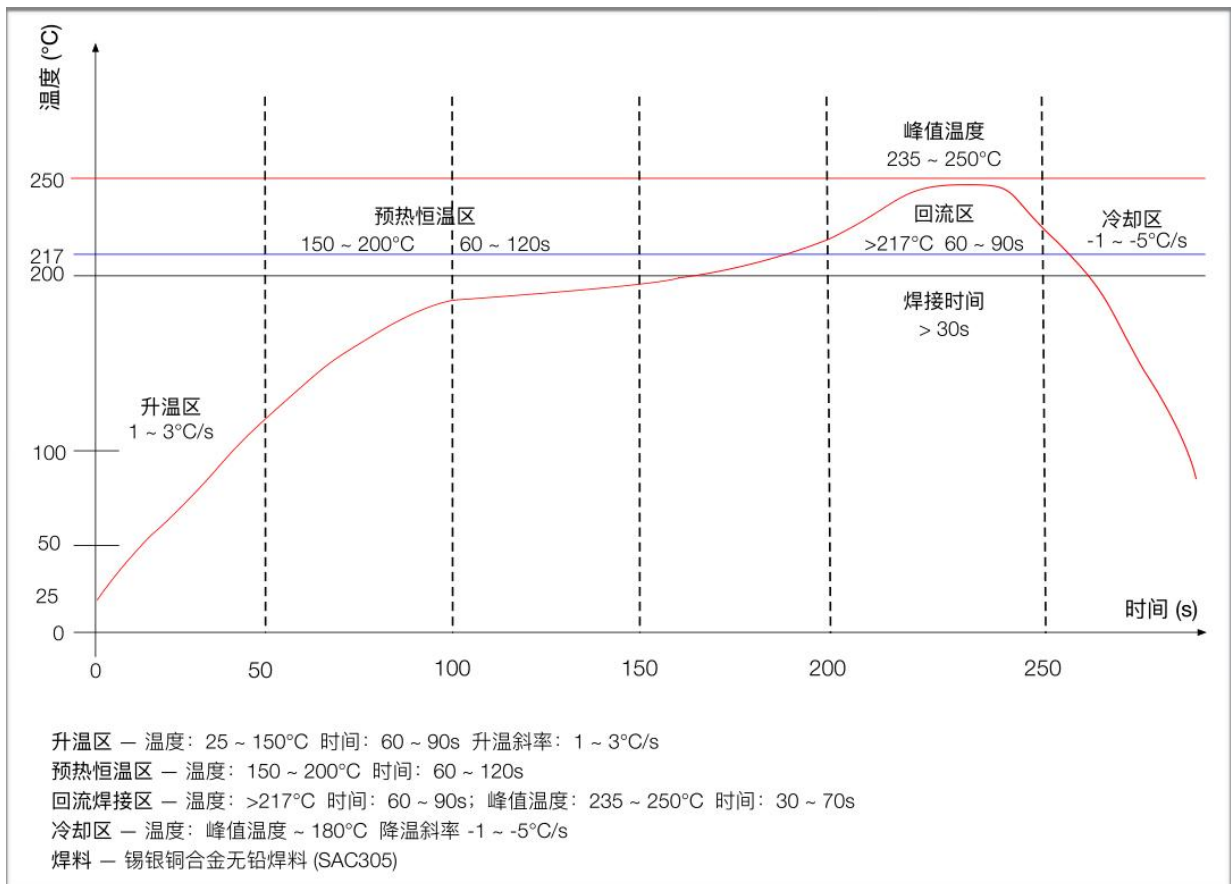


Figure 17 Reflow welding curve

9. Product package information

Table 6 Package information table

Packing List	Packaging method	Quantity per tray	Packing List
Rd-03	Anti-static	1pcs	50pcs

10.Contact us

[Ai-Thinker official website](#)

[Official Forum](#)

[Develop DOCS](#)

[LinkedIn](#)

[Tmall shop](#)

[Taobao shop](#)

[Alibaba shop](#)

Technical support Email: support@aithinker.com

Domestic business cooperation: sales@aithinker.com

Overseas business cooperation: overseas@aithinker.com

Company address: Room 403,408-410, Block C, Huafeng Smart Innovation Port, Gushu 2nd Road, Xixiang, Baoan District, Shenzhen.

Tel: 0755-29162996



WeChat mini



WeChat official

Disclaimer and copyright notice

The information in this article, including the URL address for reference, is subject to change without notice.

The document is provided "as is" without any guarantee responsibility, including any guarantee for merchantability, suitability for a specific purpose, or non-infringement, and any guarantee mentioned elsewhere in any proposal, specification or sample. This document does not bear any responsibility, including the responsibility for infringement of any patent rights arising from the use of the information in this document. This document does not grant any license for the use of intellectual property rights in estoppel or other ways, whether express or implied.

The test data obtained in the article are all obtained from Ai-Thinker's laboratory tests, and the actual results may vary slightly.

All brand names, trademarks and registered trademarks mentioned in this article are the property of their respective owners, and it is hereby declared.

The final interpretation right belongs to Shenzhen Ai-Thinker Technology Co., Ltd.

Notice

Due to product version upgrades or other reasons, the contents of this manual may be changed.

Shenzhen Ai-Thinker Technology Co., Ltd. reserves the right to modify the contents of this manual without any notice or prompt.

This manual is only used as a guide. Shenzhen Ai-Thinker Technology Co., Ltd. makes every effort to provide accurate information in this manual. However, Shenzhen Ai-Thinker Technology Co., Ltd. does not guarantee that the contents of the manual are completely free of errors. All statements and information in this manual. And the suggestion does not constitute any express or implied guarantee.

Statement

Ai-Thinker may provide technical and reliability data (including data sheets), design resources (including reference designs), application or other design recommendations, network tools, safety information and other resources (the "Resources") "as is" without warranties of any kind, express or implied. Including, but not limited to, express or implied warranties of suitability, fitness for a particular use, or non-infringement of any third party's intellectual property rights. And specifically declares that it is not liable for any necessary or incidental losses, including but not limited to, arising from the application or the use of any of our products and circuits.

Ai-Thinker reserves the right to release information in this document (including but not limited to metrics and product descriptions) and any changes to our products without prior notice. This document automatically supersedes and replaces all information provided in previous versions of the same document number file.

These resources are available to skilled developers who design with Ai-Thinker products. You are solely responsible for: (1) Selecting the appropriate Ai-Thinker products for your application; (2) Design, validate, and run your application and product throughout its life cycle; (3) Ensure that your application meets all applicable standards, codes and laws, as well as any other functional security, information security, regulatory or other requirements.

Ai-Thinker may authorize you to use these resources only for the development of applications of Essence Products described in this Resource. Without the permission of Ai-Thinker, any unit or individual shall not extract or copy part or all of these resources, and shall not be transmitted in any form. You are not entitled to use any other Ai-Thinker intellectual property rights or any third party intellectual property rights. You shall indemnify you in full for any claims, damages, costs, losses and liabilities arising against Ai-Thinker or its representatives in connection with the use of these resources, for which Ai-Thinker is not liable.

The products offered by Ai-Thinker are subject to the terms of sale of Ai-Thinker or other applicable terms attached to Essence's products. Essence's availability of these resources does not extend or otherwise change the warranties or warranties disclaimers applicable to product releases.