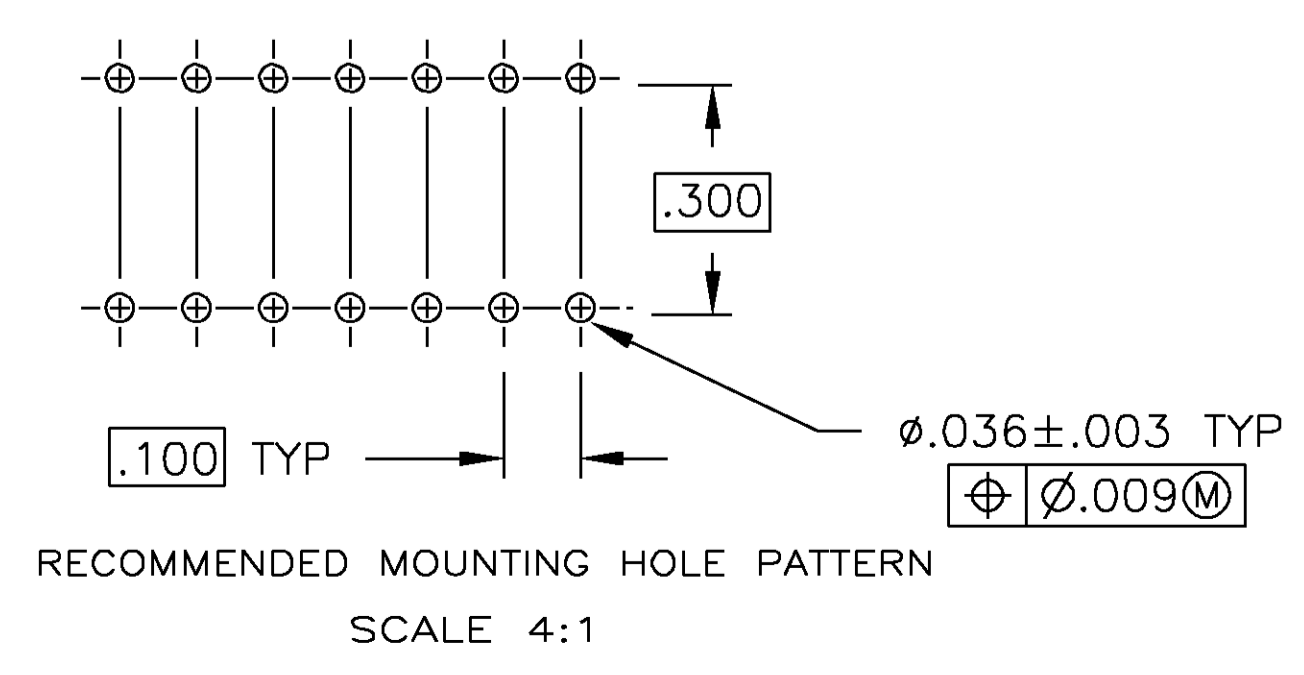
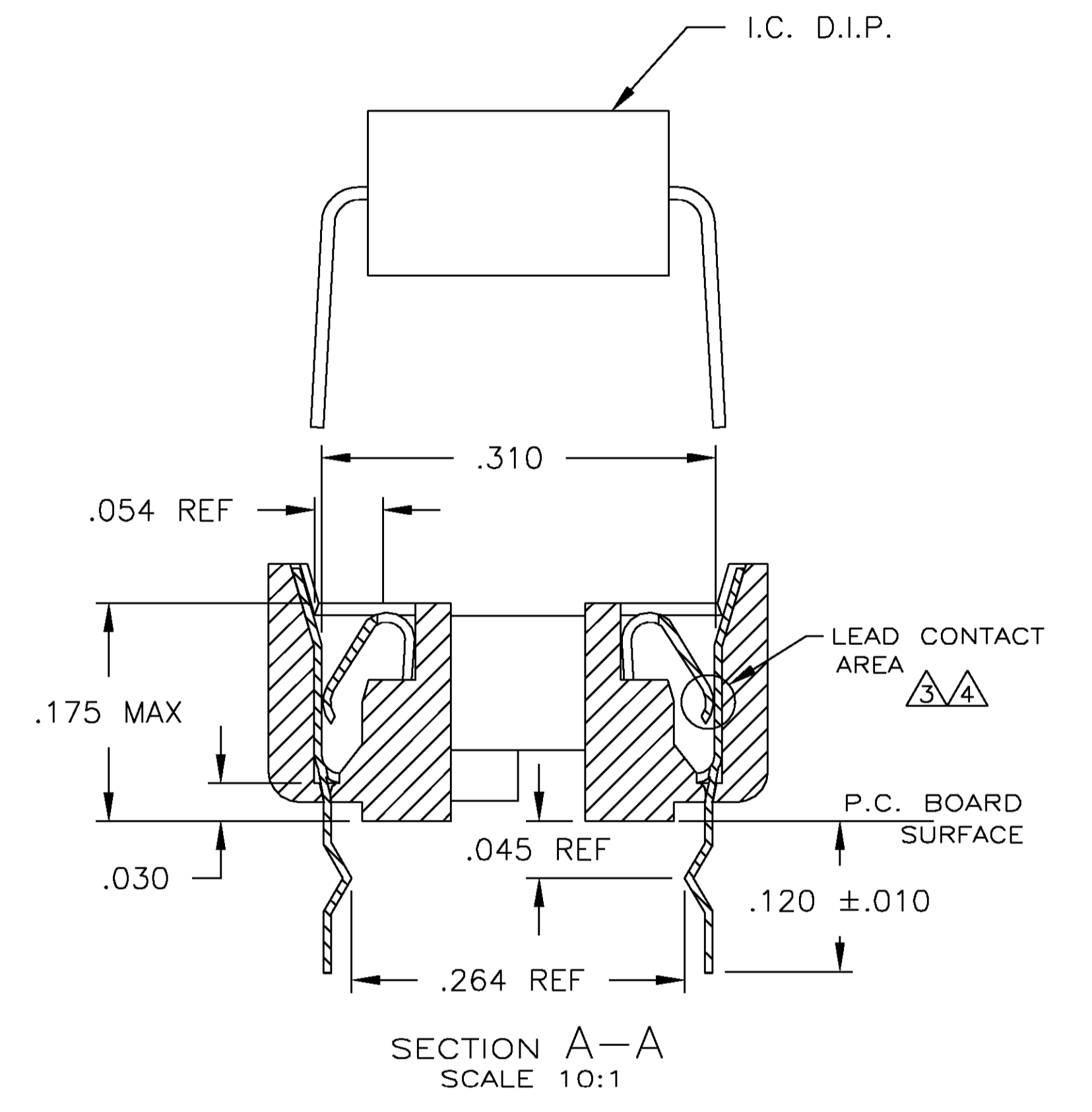
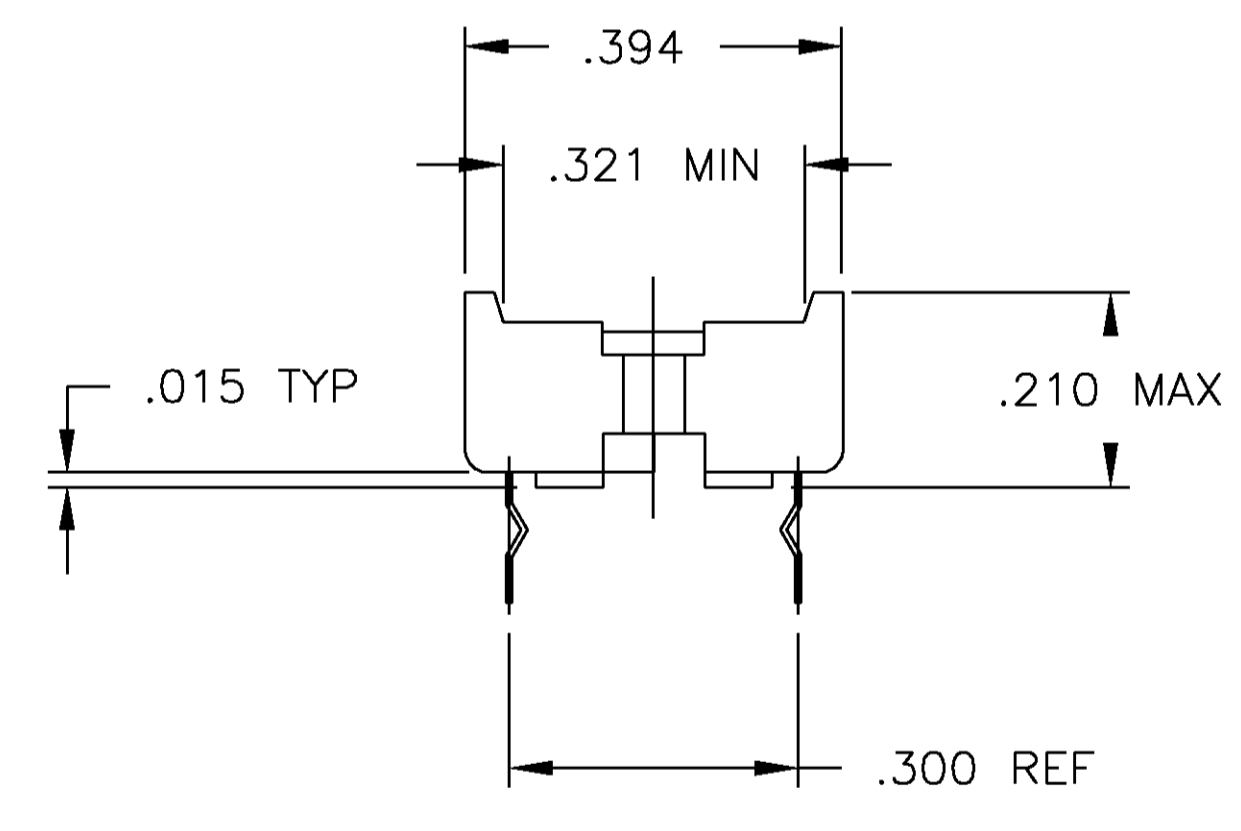
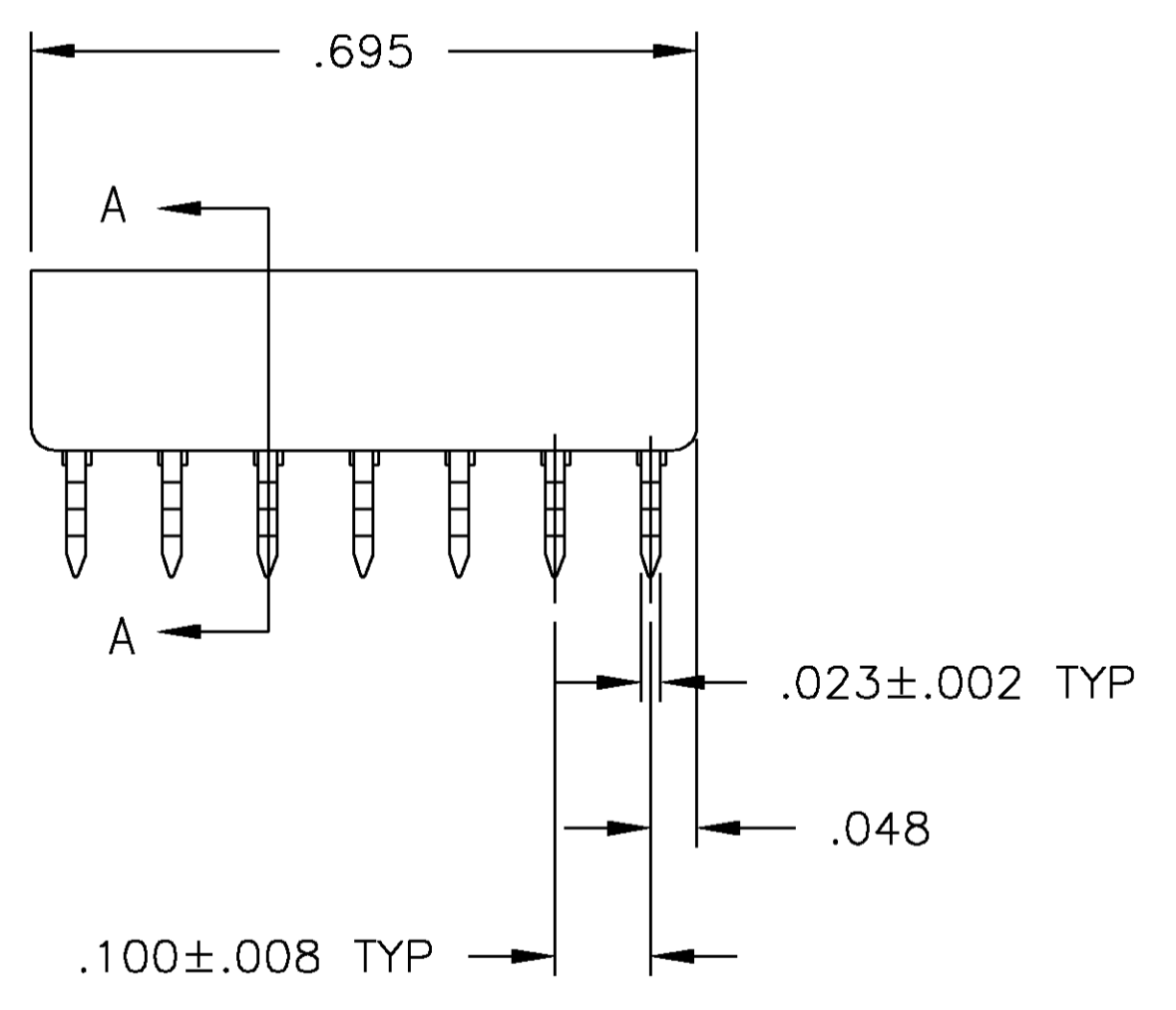
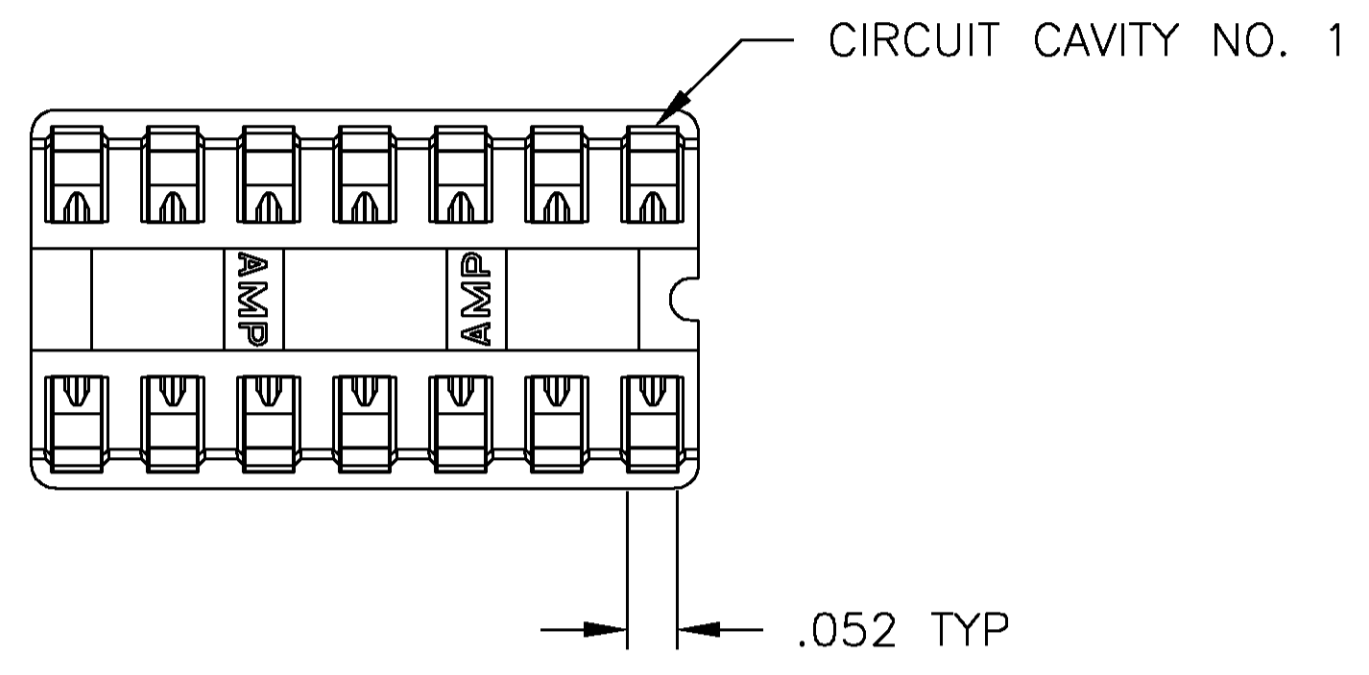


1. RECEPTACLE ACCEPTS A .008-.014 THICK I.C. LEAD.
2. TUBE LOADED.
3. TWO .000030 MIN THK. GOLD STRIPES IN CONTACT AREA WITH TIN-LEAD (93/7) ON CONTACT LEGS, BALANCE OF CONTACT NICKEL PLATED.
4. TWO .000015 MIN THK. GOLD STRIPES IN CONTACT AREA WITH TIN-LEAD (93/7) ON CONTACT LEGS, BALANCE OF CONTACT NICKEL PLATED.



OBSOLETE	TINNED	PHOS.BRZ. .006 THK	GLASS-FILLED THERMOPLASTIC, 94V-O, BLACK	2-641609-5
		PHOS.BRZ. .006 THK	GLASS-FILLED THERMOPLASTIC, 94V-O, BLACK	2-641609-4
OBSOLETE	TINNED	PHOS.BRZ. .006 THK	GLASS-FILLED THERMOPLASTIC, 94V-O, BLACK	2-641609-3
OBSOLETE		BE.CU. .006 THK	GLASS-FILLED THERMOPLASTIC, 94V-O, BLACK	2-641609-2
	TINNED	BE.CU. .006 THK	GLASS-FILLED THERMOPLASTIC, 94V-O, BLACK	2-641609-1
CONTACT FINISH		CONTACT MAT'L	HOUSING MATERIAL	PART NO.

THIS DRAWING IS A CONTROLLED DOCUMENT.

DIMENSIONS: INCHES	TOLERANCES UNLESS OTHERWISE SPECIFIED:	DWG: R BROWN	09JAN01	Tyco Electronics Corporation Harrisburg, PA 17105	
0 PLC ± -	1 PLC ± -	CHK: H WYNKOOP	28AUG00	<b>AMP</b> SOCKET ASSY, DIP, LADDER, RET LEG, 14 POS, DIPLOMATE DL	
2 PLC ± -	3 PLC ± -	APVD: H WYNKOOP	28AUG00		
4 PLC ± -	ANGLES ± -	PRODUCT SPEC	108-1066	RESTRICTED TO	
MATERIAL: SEE TABLE	FINISH: SEE TABLE	APPLICATION SPEC	114-1049	SIZE: A1	CAGE CODE: 00779
CUSTOMER DRAWING			SCALE: 5:1	SHEET: 1 OF 1	REV: Y