



Professional Radio Control

PRO-TRAP

Features

- 868Mhz
- Ready to Use Remote Control
- 8 Channel Systems
- Up to 8 per transmitter
- Range: Up to 2000 metres LOS
- Highly secure transmission protocol for reliable operation
- Relay Outputs: Momentary, Latching, Timed
- Receiver IP65



Applications

- Lighting Control
- General Purpose Remote Switching
- Door Control
- Quarry Remote Switching
- Access Control
- Machinery Control

Description

Available as 4 - 16 channels the Professional range are ready to operate general purpose remote control systems using a highly secure transmission protocol for reliable operation. The receiver unit is rated IP65 with integral power supply containing industrial standard 'DIN Rail' 'receiver' and 'relay output' modules (interchangeable). Other modules with higher switching capability are available.

The relay outputs may be user set to operate as latching or momentary. Outputs may be set to timed from 0-60 minutes.

Additional transmitters can be added using the easy learn procedure. Any transmitter switch can be mapped to any individual or combination of receiver output(s).

Professional Radio Control



Part Number	Description	Range** (Metres)	Freq (MHz)	Relay Outputs (each @230Vac)
PROTRAP-8S8	8 channel Remote Control System	2000	869.5	8 x 10A
PROSABRE-8S8	8 channel Remote Control System	4000	869.5	8 x 10A

** Range stated is optimum, direct line of sight. In worst conditions this can be reduced by up to 50%

Receiver Unit

The receiver consists of interchangeable modules which are connected via ribbon cables. (as shown below).

Antenna

The Antenna is held internally, this is to save drilling the enclosure on the top. This may have some effect to the range for specific applications which may require the antenna externally mounted. At all times please ensure that antenna is pointing in a vertical direction and away from high interference sources.



Receiver Unit

DIN Rails mounted on steel plate
 Integrated 12Vdc moulded Power Supply
 5 Amp Fused terminal block
 Material GW PLAST 120 °C

Learning Capacity: The receiver has the capacity to learn up to 31 units (Where 1 unit is defined as a button on a transmitter)

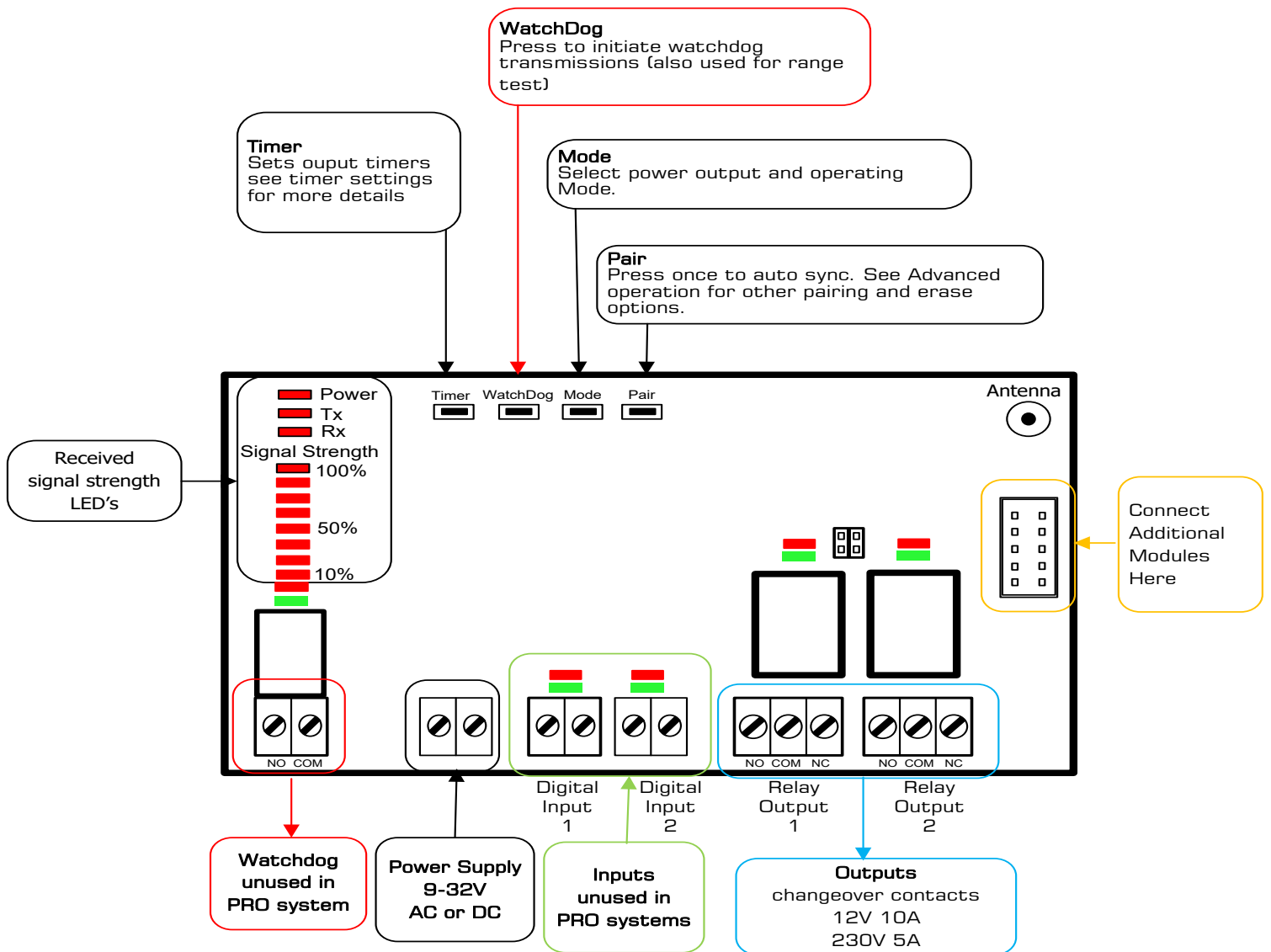
Enclosure Dimensions

External 315 x 235 x 130mm
 Internal 300 x 220 x 120mm

PCB Dimensions

725-TRX 136 x 78 x 42mm
 725-OP 136 x 78 x 42mm

A 12Vdc power supply is incorporated. 12Vdc is presented on a fused terminal block. A Gland is supplied to enable power to enter the enclosure.



Overview of Features

PRO-TRAP/SABRE has many 'optional' features. These are summarised below and explained in detail later in this document.

Auto or Manual Pairing: Modules can be auto paired together in banks or any individual button can be paired to any individual output(s).

TIMER: The outputs can be set to Momentary/Latching /Timed

Additional Modules: Additional Output modules or can be connect (max 16 of each)

Please note: When using more than 2 output boards VCC must be connected to the 725-OP boards.

Please note: Inputs and watchdog are unused on the 725-TRX in the PRO systems.

Pairing

Factory Default Status

In Factory Default Input/Output LEDs flash Red/Green alternately

To AUTO-PAIR

1. Press and release the PAIR button on the 725TRX Receiver.
2. The pair and all relay output LED's will flash on the 725TRX.
3. Activate ANY input on hand held transmitter.
4. All flashing LEDs on 725TRX relays will go out. The PAIR LED will flash quickly for 2 seconds.
5. Pairing Complete.

To PAIR a button Manually to an Output 2

1. Press and release the PAIR button on the 725TRX B to enter Pairing mode. Press and release the PAIR button to cycle through LED's until only the LED above Relay 2 is Flashing.
2. Press the button on the hand held transmitter you wish to pair to relay 2.
3. All flashing LEDs on 725TRX relays will go out, the PAIR LED will flash quickly for 2 seconds.
4. Pairing Complete.

Please Note: Manual pair will not work when auto pair has been used.

Erasing

Reset to Factory Default Setting

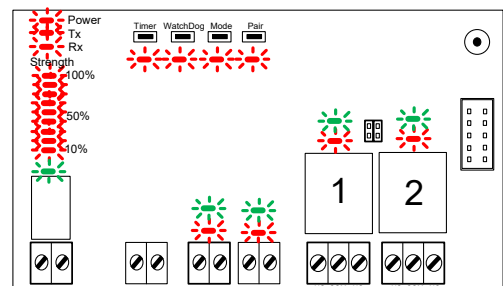
The 725TRX may be reset to Factory default at any time by pressing the PAIR button for 15 seconds.

Erasing Everything (reset to Factory Default):

1. Apply power
2. Press and hold the PAIR button for 15 seconds, the PAIR LED will flash slow then fast.
3. Release the PAIR button.
4. 725-TRX is now reset to Factory Default

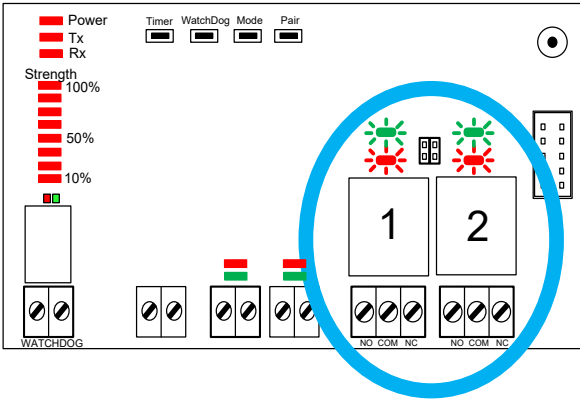
ERASE Individual Transmitters:

1. Apply power
2. Press and hold the PAIR button for 10 seconds, the PAIR LED will flash slow as soon as this happens release the PAIR button.
3. Press any button on the transmitter to be erased.
4. The 725-TRX will exit to normal operating mode and the transmitter will be erased.



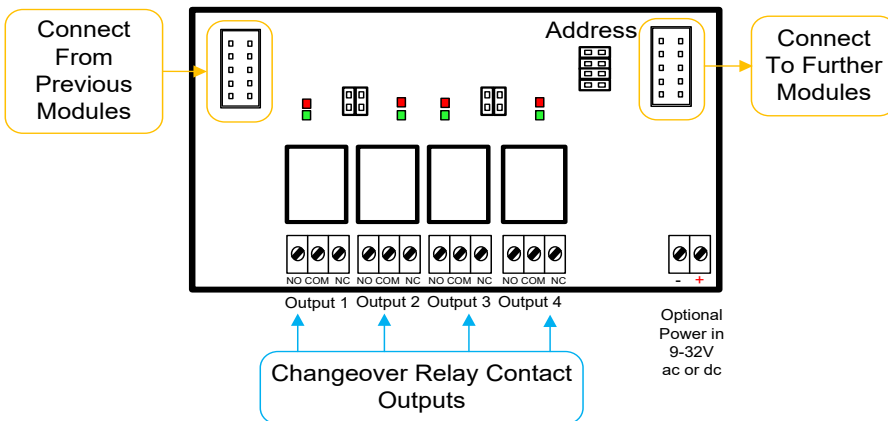
OUTPUTs Status LEDs

When the receiving 725TRX gets a valid signal from a paired device it will activate an output. The status of active relays will be displayed on their corresponding LED's.



GREEN LED	Status of Output
ON	Relay is Active / ON
OFF	Relay is Inactive / OFF
RED LED	Feedback from Receiver
OFF	The paired 725TRX Output is paired with this output
Flashing	Relay is unpaired with any Receiver output

725-OP Additional Outputs Module



Address settings

Each module must have a unique address set by the Address jumpers (it doesn't matter what the address is).

NOTE: outputs will cycle in address order for pairing, timers and erasing.

Connect to 725TRX

Connect to the 725TRX or previous 725-OP module using the ribbon cable provided.

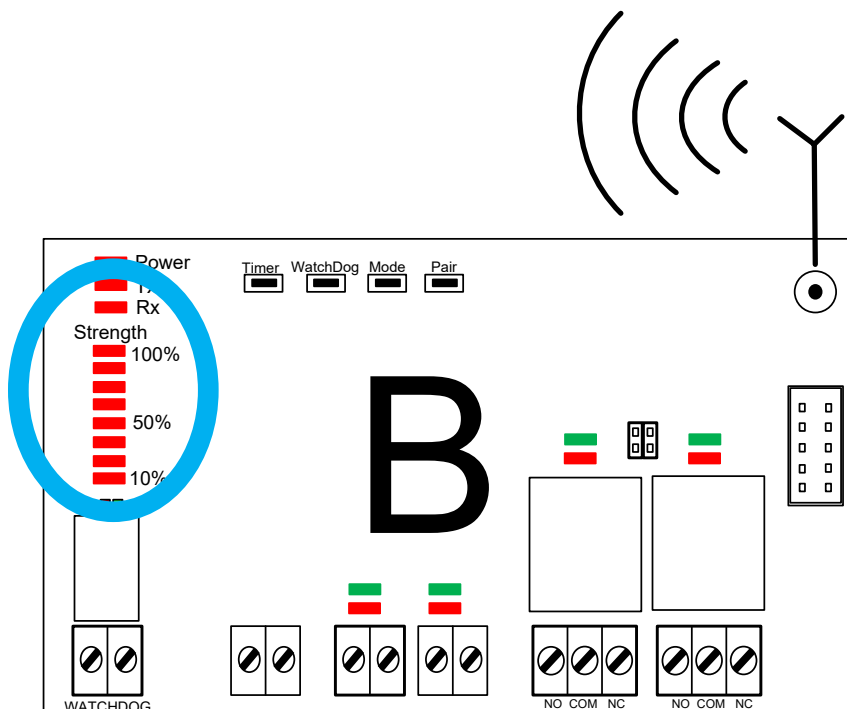
NOTE: When connecting more than one 725-OP module the power must be connected directly to the 725-OP module screw terminals.

Display Signal Strength

This allows a user to check the signal strength (Walk Test).

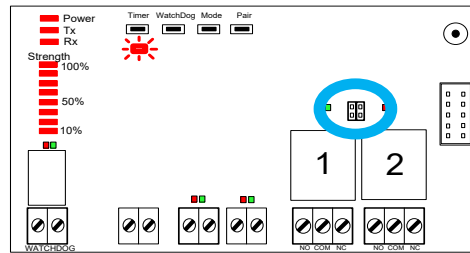
1. Any 725TRX will display a received signal on the Signal Strength LED bar graph from a compatible transmitter.

NOTES: For reliable communications please ensure at least 3 LED's are lit in this test.



MOMENTARY/LATCHING setting links

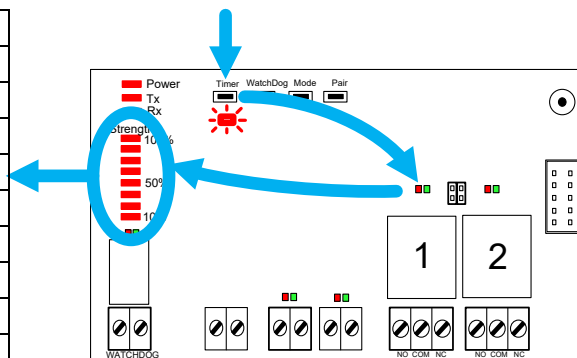
Each Relay Output can be individually preset to Momentary/Latching by fitting or removing the Link Headers.



Link Fitted	LATCHING	Output changes state on each Transmit signal
Link Removed	MOMENTARY	Output operates for duration of Transmit signal

TIMER (Setting an Output Time Delay)

LED	Timer Output
8	60 min
7	30 min
6	10 min
5	1 min
4	30 sec
3	10 sec
2	5 sec
1	1/2 sec
0	Mom



Setting a Timed Output.

1. Briefly press the TIMER Switch .
2. The TIMER and first relay output LED's will flash.
3. Press the TIMER switch again to scroll through relays until the chosen relay LED is flashing.
4. Wait until the chosen relay LED is on constantly.
5. Now each press of the timer button will increase the timer delay in line with the TIMER OUTPUT table displayed on the signal strength LED's.
6. When you have selected the required delay, wait 3 seconds.
7. The Red TIMER LED will stop flashing to show that the setting is saved

NOTE: Settings are saved even after power is removed.

NOTE: When zero LED's are lit the relays will operate as per the Momentary/Latching links.

Erase ALL Timers:

1. Press and hold the TIMER button for 10 seconds,
2. Whilst held the TIMER LED will turn on and then flash fast.
3. When the LED flashes fast release the timer button the erase is complete

NOTE: When setting a Time Delay;

If the Jumper Link is Removed the time delay will restart on each transmission regardless of output status.

If the Jumper Link is Fitted, the time delay output will Latch OFF / ON Timed with each transmission.

ENC-DA3 Enclosure

- IP65 rated DIN rail enclosure
- 12V volt PSU
- 305mm X 220mm X 125mm
- Premade Back plate with DIN Rail Mount
- Easy clip fit for 700 series products



12V1A~IN-IP

- IP67 rated PSU
- 12V volt
- 1Amp



CBA-SMAMR-SMAF

Used for externally mounting an antenna

- SMA Male Right Angle
- SMA Female Bulkhead Straight



ANT-GSM5WM

- Wall mount antenna
- 3m cable
- Wall Mount Whip Antenna
- 824-960
- Active gain: +5dB
- RG58 Connecting Lead



Professional Radio Control



Technical Specifications

Transceiver : 725-TRX
Dimensions: 136 x 78 x 42 mm
Storage Temperature: -10 to +70° Celsius.
Operating Temperature: -10 to +50° Celsius.

Electrical Characteristics	Min	Typical	Max	Units
Supply Voltage	12		32	Vdc or ac
Frequency:		869.500		MHz
RF Output Power (ERP) @ 869.50 MHz	-	100		mW
Supply Current : Quiescent		50		mA
All output relays operating		+101		mA
Watchdog relay operating		+25		mA
When transmitting		+95		mA

Input Module: 725-IP

Dimensions: 68 x 78 x 42 mm
Storage Temperature: -10 to +70° Celsius.
Operating Temperature: -10 to +50° Celsius.

Electrical Characteristics	Min	Typical	Max	Units
Supply Voltage		N/A		V
Input Impedance				Ohms
Supply Current		15		mA

Output Module: 725-OP

Dimensions: 136 x 78 x 42 mm

ELECTRICAL CHARACTERISTICS	MODE	MIN	TYPI-CAL	MAX	Units
Supply Voltage			N/A		V
Relay Rating* (230Vac) RLY 1-4			5		A(rms)
Time delay from Tx on Switch to Rx Relay operation	FSK LORA		30 30- 1500		mS mS
Time delay from Tx sw relax to Rx Relay release	FSK LORA		30 30- 1500		mS mS
Supply Current : Quiescent		12			mA
All relays operating		+90			mA

Storage Temperature: -10 to +70° Celsius.
Operating Temperature: -10 to +50° Celsius.

Notes

1. Notes The power is derived directly from 725-868
2. The relay contacts in this unit are for functional use only and must not be used for isolation purposes

Approvals Information:

- All RF Solutions products are manufactured in accordance with our ISO:9001 Quality System
- PRO Series Systems are manufactured to CE Compliant standard
- Further information available on request.

Antenna and Range

2.1 Antenna

The system includes an antenna, It is situated within the enclosure (to save penetrating the enclosure)

If the range is inadequate then it may be necessary to mount the antenna protruding from the enclosure. This may be easily fitted using the provided panel mount BNC socket. The antenna cable may be extended however please note that typically there is a 50% range reduction with every 3metres of coax cable used!

For increasing range performance a +3dB gain antenna is available. This is supplied with wall mounting bracket and 2metres of coax cable, it plugs in directly to the BNC connector.

2.2 Range

The antenna choice and position directly controls the system range. Keep it clear of other metal in the system. The best position is protruding from the top of the product. This is often not desirable for practical or ergonomic reasons and thus a compromise may be needed. If an internal antenna must be used then try to keep it away from other metal items, and in particular large ones like transformers, batteries and PCB tracks and earth planes.

Note that the space around the antenna is as important as the antenna itself. All radio systems are dependant on a radio signal being received through airspace.

The range quoted is the optimal in direct line of sight without obstacles and in good atmospheric conditions.

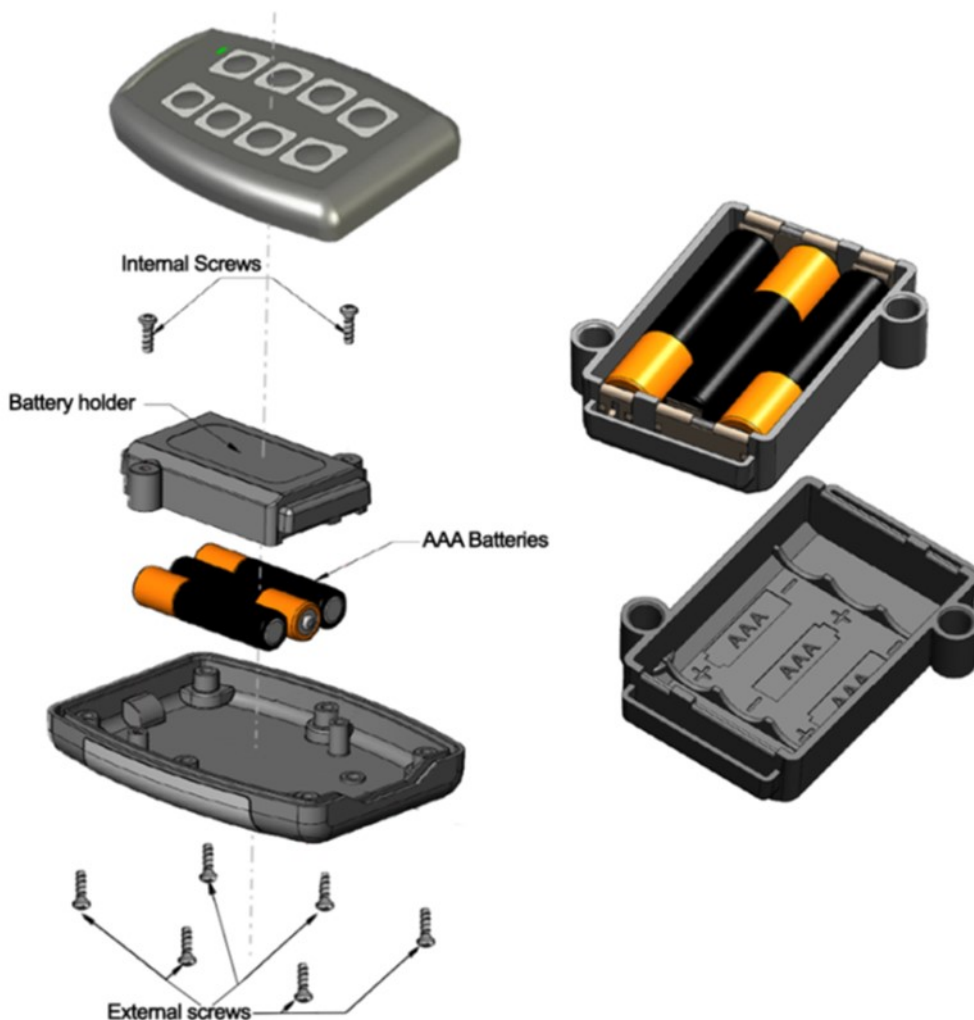
2.3 Signal Integrity

In systems where many encoders are in close proximity there may be occasions when, due to signal overlay between encoders, it is difficult or impossible to guarantee system integrity. In such circumstances it is the responsibility of the installer to ensure that the system performance is adequate for the purposes of the installation.

Changing the Battery on the TRAP Transmitter

The below exploded enclosure diagram shows how to replace the 3xAAA batteries in the TRAP remotes.

Remove green rubber boot, remove the six screws on the back of the transmitter. Take the back panel apart, you will then need to remove two screws from the battery compartment.



Simplified Declaration of Conformity (RED)

BG - С настоящото RF Solutions Limited декларира, че този тип радиосъоръжение е дефинирано в този документ в съответствие с Директива 2014/53/ЕС.

Цялостният текст на ЕС декларацията за съответствие може да се намери на следния интернет адрес: www.rfsolutions.co.uk

CS -Tímto RF Solutions Limited prohlašuje, že typ rádiového zařízení definované v tomto dokumentu je v souladu se směrnicí 2014/53/EU. Úplné znění EU prohlášení o shodě je k dispozici na této internetové adrese: www.rfsolutions.co.uk

DA - Hermed erklærer RF Solutions Limited, at radioudstyrstypen defineret i dette dokument er i overensstemmelse med direktiv 2014/53/EU. EU-overensstemmelseserklæringens fulde tekst kan findes på følgende internetadresse: www.rfsolutions.co.uk

DE - Hiermit erklärt RF Solutions Limited, dass der Funkanlagentyp in diesem Dokument definiert der Richtlinie 2014/53/EU entspricht. Der vollständige Text der EU-Konformitätserklärung ist unter der folgenden Internetadresse verfügbar: www.rfsolutions.co.uk

EL - Με την παρούσα ο/η RF Solutions Limited, δηλώνει ότι ο ραδιοεξοπλισμός ορίζεται σε αυτό το έγγραφο πληροί την οδηγία 2014/53/ΕΕ. Το πλήρες κείμενο της δήλωσης συμμόρφωσης ΕΕ διατίθεται στην ακόλουθη ιστοσελίδα στο διαδίκτυο: www.rfsolutions.co.uk

EN - Hereby, RF Solutions Limited declares that the radio equipment type defined within this document is in compliance with Directive 2014/53/EU. The full text of the EU declaration of conformity is available at the following internet address: www.rfsolutions.co.uk

ES - Por la presente, RF Solutions Limited declara que el tipo de equipo radioeléctrico definido dentro de este documento es conforme con la Directiva 2014/53/UE. El texto completo de la declaración UE de conformidad está disponible en la dirección Internet siguiente: www.rfsolutions.co.uk

ET -Käesolevaga deklareerib RF Solutions Limited, et käesolev raadioseadme tüüp määratletud selles dokumendis vastab direktiivi 2014/53/EL nõuetele. ELi vastavusdeklaratsiooni täielik tekst on kättesaadav järgmisel internetiaadressil: www.rfsolutions.co.uk

FI -RF Solutions Limited vakuuttaa, että radiolaitetyypin määrättyä selles dokumendis on direktiivin 2014/53/EU mukainen. EU-vaatimustenmukaisuusvakuutuksen täysimittainen teksti on saatavilla seuraavassa internetosoitteessa: www.rfsolutions.co.uk

FR - Le soussigné, RF Solutions Limited, déclare que l'équipement radioélectrique du type défini dans ce document est conforme à la directive 2014/53/UE. Le texte complet de la déclaration UE de conformité est disponible à l'adresse internet suivante: www.rfsolutions.co.uk

HR - RF Solutions Limited ovime izjavljuje da je radijska oprema tipa definirani u ovom dokumentu u skladu s Direktivom 2014/53/EU. Cjeloviti tekst EU izjave o sukladnosti dostupan je na sljedećoj internetskoj adresi: www.rfsolutions.co.uk

HU - RF Solutions Limited igazolja, hogy a dokumentumban meghatározottak szerint típusú rádióberendezés megfelel a 2014/53/EU irányelvnek. Az EU-megfelelőségi nyilatkozat teljes szövege elérhető a következő internetes címen: www.rfsolutions.co.uk

IT - Il fabbricante, RF Solutions Limited, dichiara che il tipo di apparecchiatura radio definito all'interno di questo documento è conforme alla direttiva 2014/53/UE. Il testo completo della dichiarazione di conformità UE è disponibile al seguente indirizzo Internet: www.rfsolutions.co.uk

LT - Aš, RF Solutions Limited, patvirtinu, kad radijo įrenginių tipas apibrėžta šiame dokumente atitinka Direktyvą 2014/53/ES. Visas ES atitikties deklaracijos tekstas prieinamas šiuo interneto adresu: www.rfsolutions.co.uk

LV - Ar šo RF Solutions Limited deklarē, ka radioiekārta kas definēts šajā dokumentā atbilst Direktīvai 2014/53/ES. Pilns ES atbilstības deklarācijas teksts ir pieejams šādā interneta vietnē: www.rfsolutions.co.uk

MT - B'dan, RF Solutions Limited, niddikjara li dan it-tip ta' tagħmir tar-radju definit f'dan id-dokument huwa konformi mad-Direttiva 2014/53/UE. It-test kollu tad-dikjarazzjoni ta' konformità tal-UE huwa disponibbli f'dan l-indirizz tal-Internet li ġej: www.rfsolutions.co.uk

NL - Hierbij verklaar ik, RF Solutions Limited, dat het type radioapparatuur gedefinieerd in dit document conform is met Richtlijn 2014/53/EU. De volledige tekst van de EU-conformiteitsverklaring kan worden geraadpleegd op het volgende internetadres: www.rfsolutions.co.uk

PL - RF Solutions Limited niniejszym oświadczam, że typ urządzenia radiowego zdefiniowane w tym dokumencie jest zgodny z dyrektywą 2014/53/UE. Pełny tekst deklaracji zgodności UE jest dostępny pod następującym adresem internetowym: www.rfsolutions.co.uk

PT - O(a) abaixo assinado(a) RF Solutions Limited declara que o presente tipo de equipamento de rádio definido neste documento está em conformidade com a Diretiva 2014/53/UE. O texto integral da declaração de conformidade está disponível no seguinte endereço de Internet: www.rfsolutions.co.uk

RO - Prin prezenta, RF Solutions Limited declară că tipul de echipamente radio definit în acest document este în conformitate cu Directiva 2014/53/UE. Textul integral al declarației UE de conformitate este disponibil la următoarea adresă internet: www.rfsolutions.co.uk

SK - RF Solutions Limited týmto vyhlasuje, že rádiové zariadenie typu definované v tomto dokumente je v súlade so smernicou 2014/53/EÚ. Úplné EÚ vyhlásenie o zhode je k dispozícii na tejto internetovej adrese: www.rfsolutions.co.uk

SL - RF Solutions Limited potrjuje, da je tip radijske opreme opredeljeno v tem dokumentu skladen z Direktivo 2014/53/EU. Celotno besedilo izjave EU o skladnosti je na voljo na naslednjem spletnem naslovu: www.rfsolutions.co.uk

SV - Härmed försäkrar RF Solutions Limited att denna typ av radioutrustning definieras i detta dokument överensstämmer med direktiv 2014/53/EU. Den fullständiga texten till EU-försäkran om överensstämmelse finns på följande webbadress: www.rfsolutions.co.uk

RF Solutions Ltd. Recycling Notice

Meets the following EC Directives:

DO NOT

Discard with normal waste, please recycle.

ROHS Directive 2011/65/EU and amendment 2015/863/EU

Specifies certain limits for hazardous substances.

WEEE Directive 2012/19/UE

Waste electrical & electronic equipment. This product must be disposed of

through a licensed WEEE collection point. RF Solutions Ltd., fulfills its WEEE obligations by membership of an approved compliance scheme. Environment Agency producer registration number: **WEE/JB0104WV**.



Waste Batteries and Accumulators Directive 2006/66/EC

Where batteries are fitted, before recycling the product, the batteries must be removed and disposed of at a licensed collection point.

RF Solutions battery producer number:

BPRN00060.

Disclaimer:

Whilst the information in this document is believed to be correct at the time of issue, RF Solutions Ltd does not accept any liability whatsoever for its accuracy, adequacy or completeness. No express or implied warranty or representation is given relating to the information contained in this document. RF Solutions Ltd reserves the right to make changes and improvements to the product(s) described herein without notice. Buyers and other users should determine for themselves the suitability of any such information or products for their own particular requirements or specification(s). RF Solutions Ltd shall not be liable for any loss or damage caused as a result of user's own determination of how to deploy or use R F Solutions Ltd's products. Use of RF Solutions Ltd products or components in life support and/or safety applications is not authorised except with express written approval. No licences are created, implicitly or otherwise, under any of RF Solutions Ltd's intellectual property rights. Liability for loss or damage resulting or caused by reliance on the information contained herein or from the use of the product (including liability resulting from negligence or where RF Solutions Ltd was aware of the possibility of such loss or damage arising) is excluded. This will not operate to limit or restrict QuasarUK Ltd's liability for death or personal injury resulting from its negligence.