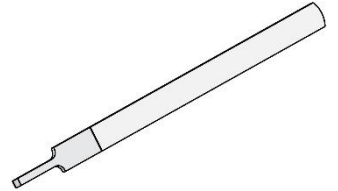


Order Number
63824-8700



Application Tooling Specification



FEATURES

- This tool is designed to extract crimped terminals from various receptacle housings.

SCOPE

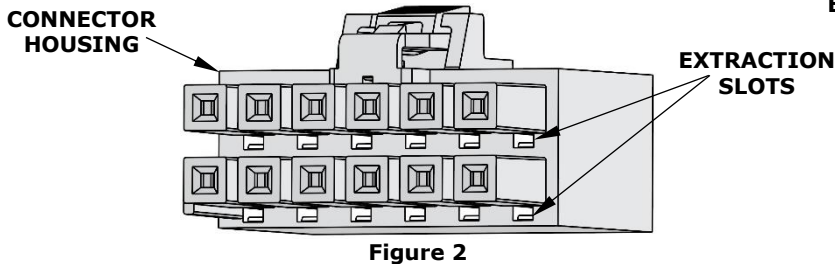
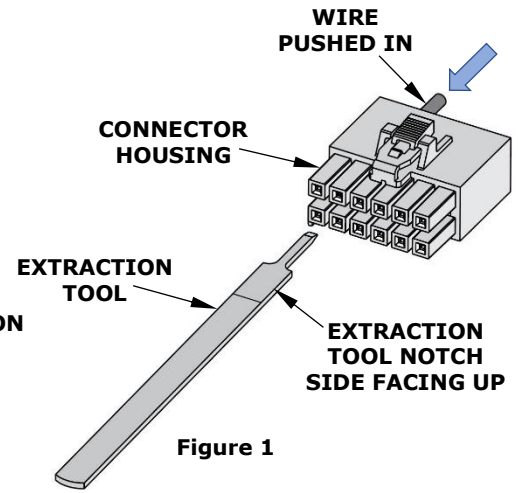
Products: Ultra-Fit Tangless Crimp Terminals, 16-22 AWG (UL1061) Wires.

Terminal Series No.	Description	Housing Series No.	Terminal Order No.			
172253	Ultra-Fit Tangless Receptacle Terminals 16-18 AWG	172256 172258	172253-6011	172253-6012	172253-7023	172253-7024
	Ultra-Fit Tangless Receptacle Terminals 20-22 AWG	172256 172258	172253-6111	172253-6112	172253-7123	

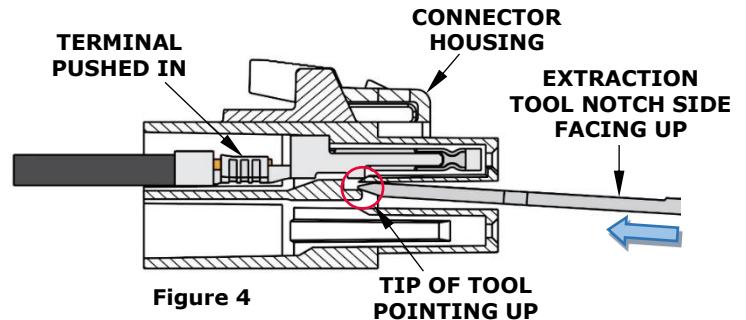
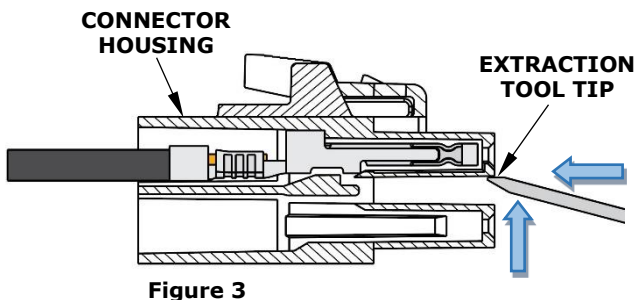
Note: All individual terminals may be extracted from the housing using this tool.

OPERATION

1. Push the terminal forward in the direction of the arrow before using the extraction tool, as shown in Figure 1.
2. Identify the extraction slot on the face of the connector housing that corresponds with the terminal to be extracted. See Figure 2.

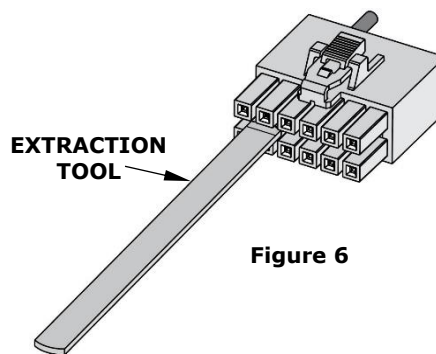
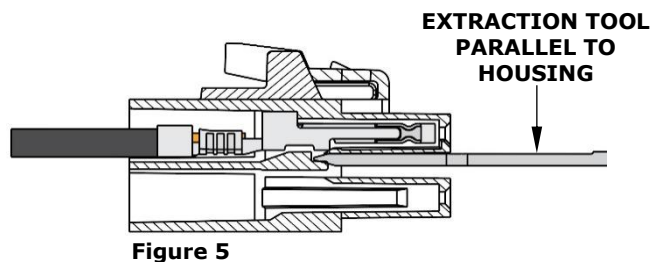


3. Hold the extraction tool so that the notched side faces up. Insert the extraction tool into the correct extraction slot, keeping the tip of the extraction tool pointing up and against the top of the extraction slot. See Figures 3 and 4.

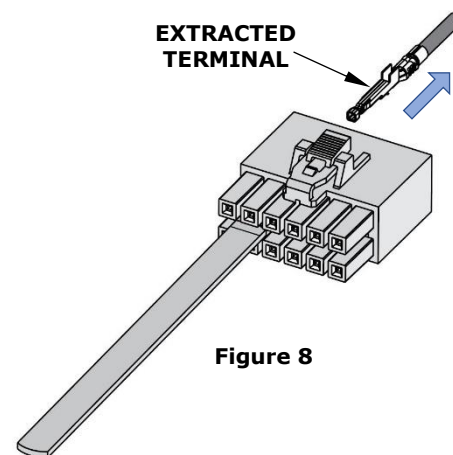
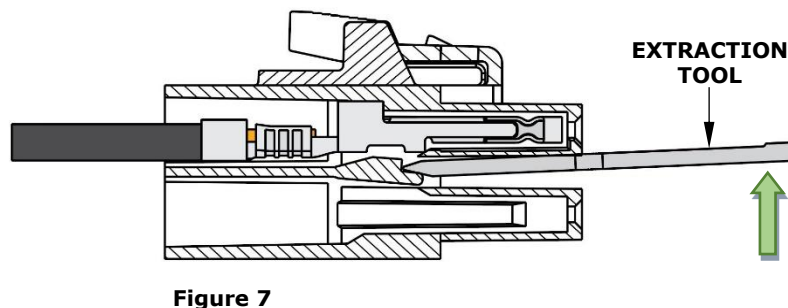


Ultra-Fit Tangless Crimp Terminal Extraction Tool

- When the tool is fully inserted, hold the extraction tool so that it is parallel to the connector. See Figures 5 and 6.



- While holding the housing and wire in place, lift up on the extraction tool handle so that the tip of the tool pushes downward on the extraction slot. See Figure 7. This will allow the terminal to move freely inside the connector slot.



- Pull the terminated wire out of the connector housing in the direction of the arrow. See Figure 8.

Note

If the terminal does not extract, reinsert the extraction tool, holding it at a steeper angle. The handle should be pointing downward as you insert the extraction tool, keeping the tip of the tool on the top of the extraction slot. Then, rotate the tool so that the handle moves upward.

CAUTION: This extraction tool should be used to extract the terminal only. Using it for unintended purposes may cause injury or damage to parts. Be careful not to deform the end of the terminal.

CAUTION: Molex specifications are valid only when used with Molex terminals, applicators and tooling.

Molex does not offer repair parts for extraction tools due to the inexpensive nature of these tools.

Application Tooling Support

Phone: (402) 458-TOOL (8665)
E-Mail: applicationtooling@molex.com
Website: www.molex.com/applicationtooling

Molex is a registered trademark of Molex, LLC in the United States of America and may be registered in other countries; all other trademarks listed herein belong to their respective owners.