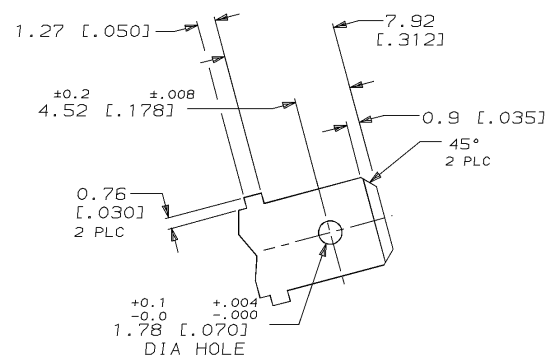
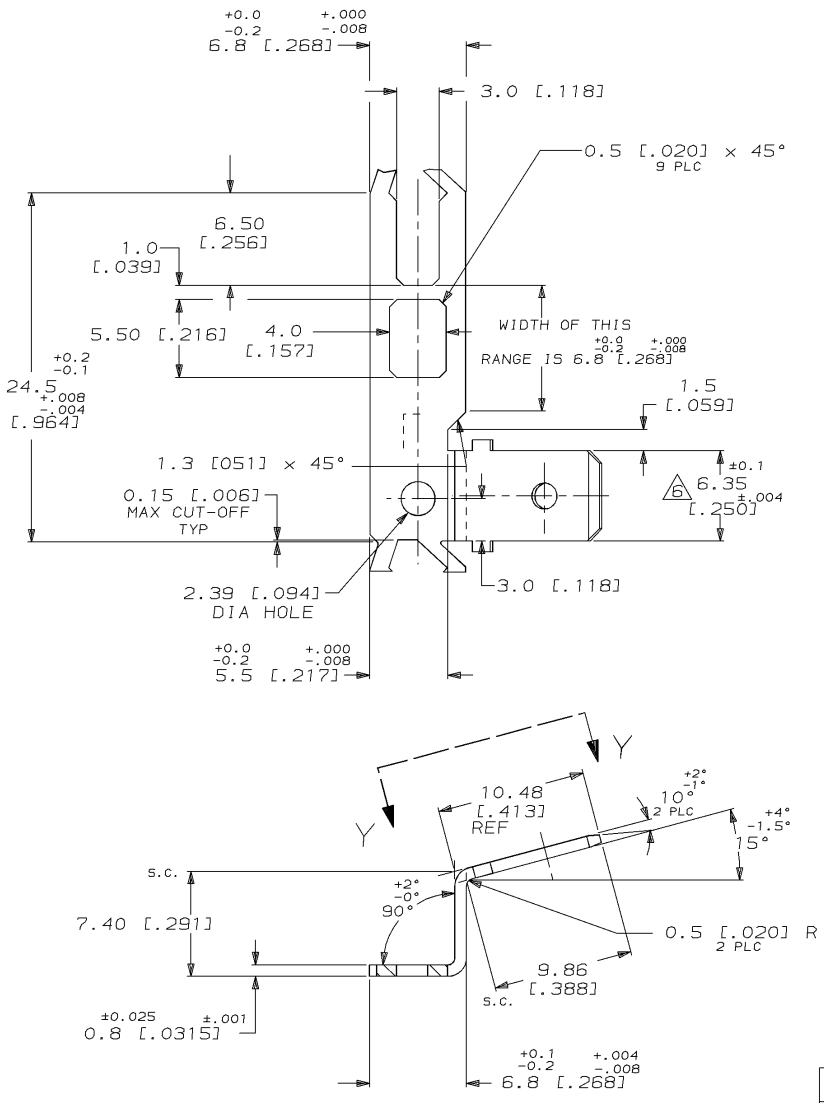
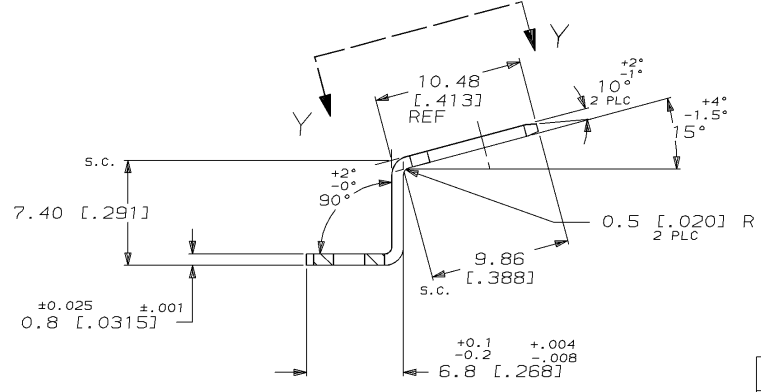


LOC	DIST	P	F	ZONE	LTR	REVISIONS	DESCRIPTION	DATE	APPD
AF	50				B	REV PER	0L10-0054-96	11/13/96	JR/PD



- 1 TIN PLATE 3um [0.00120] MIN OVER 1um [0.00040] MIN COPPER.
- 2 THE FLASH SHOULD BE LESS THAN 0.02mm [0.0008].
- 3 THE WARP SHOULD BE LESS THAN 0.2mm [0.008].
- 4 PLATED SURFACE SHOULD BE MATTE FINISH.
- 5 MASBAC P/N BLC2GFO0017.
- 6 6.35 DIMENSION MAY GROW A MAXIMUM OF 0.06 MM AT THE BEND.



DO NOT SCALE PRINT. UNLESS SPECIFIED DIMENSIONS IN mm [INCHES] TOLERANCES ON : 2 PLC DEC ± 0.13 [0.005] 3 PLC DEC ± - ANGLES ± -		DR 6/6/94 JR RUTH	AMP Incorporated Harrisburg, PA 17105-3608		
MATERIAL BRASS C2600 1/2H OR C2680 1/2H		CHK 6/6/94 MS FEHER			
FINISH △		APPD 6/6/94 P DESANTIS	SIZE C 00779	DRAWING NO C-63791	SHEET 1 OF 1
THIS DRAWING IS A CONTROLLED DOCUMENT FOR AMP INCORPORATED. IT IS SUBJECT TO CHANGE AND THE CONTROLLING ENGINEERING ORGANIZATION SHOULD BE CONTACTED FOR THE LATEST REVISION.		APPD 6/6/94 R REINER	SCALE 4:1	CUSTOMER DRAWING	