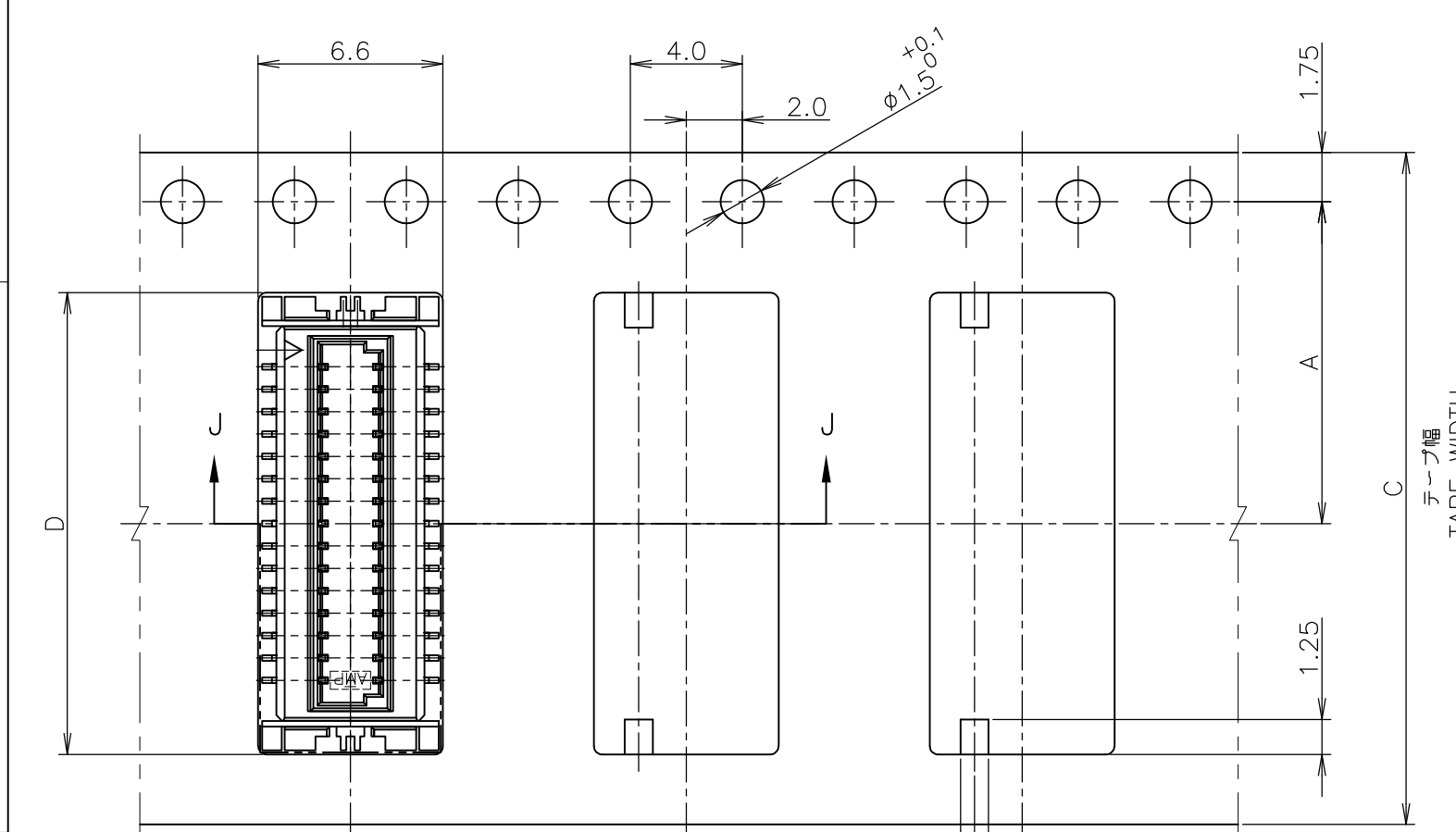
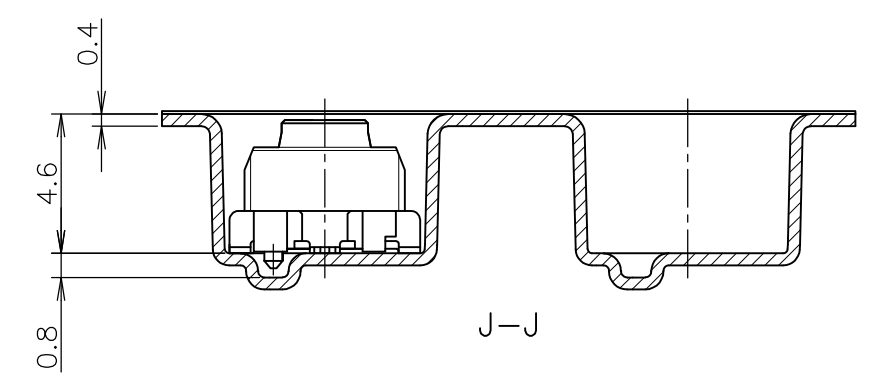


THIS DRAWING IS UNPUBLISHED. RELEASED FOR PUBLICATION DEC. 2004.
 © COPYRIGHT 2004 By - ALL RIGHTS RESERVED.

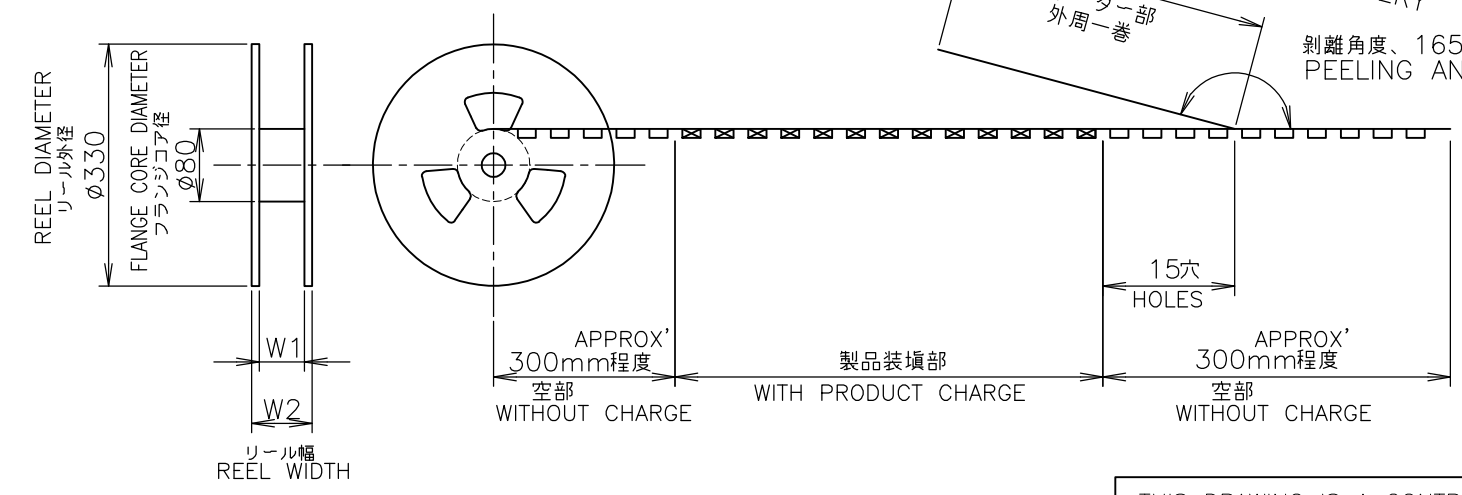
LOC	DIST	REVISIONS 変更					
J		P	LTR	DESCRIPTION	DATE	DWN	APVD
		A1		REVISED ECR-14-013112	30JAN2015	I.T	W.H



TOP OF REEL
引出し方向



WEEDING THE COVER TAPE
AROUND THE OUTER PERIPHERY
IN A TURN.
カバートープ
リーダー部
外周一巻
剥離角度、165°~180°
PEELING ANGLE.



① OBSOLETE	22.4	16.4	9.3	16	---	7.5	800	12	1-6376038-2
	29.5	25.5	16.5	24	---	11.5	800	30	3-6376038-0
INSTRUCTION SHEET 取扱説明書	W2	W1	D	C	B	A	数量 (ヶ) QTY/REEL	極数 POS	リール巻 コネクタ型番 TAPING P/N

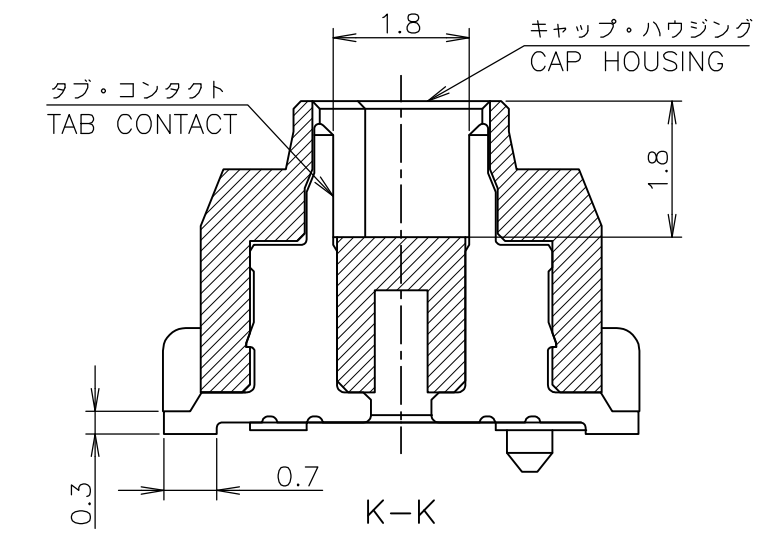
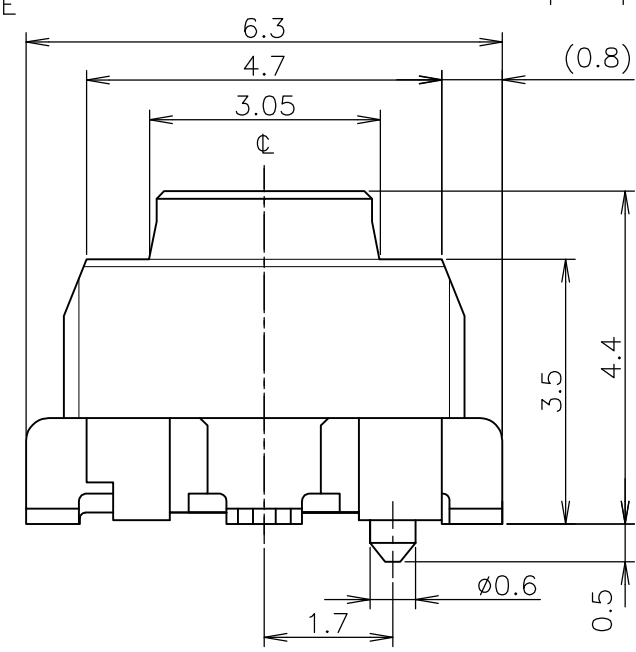
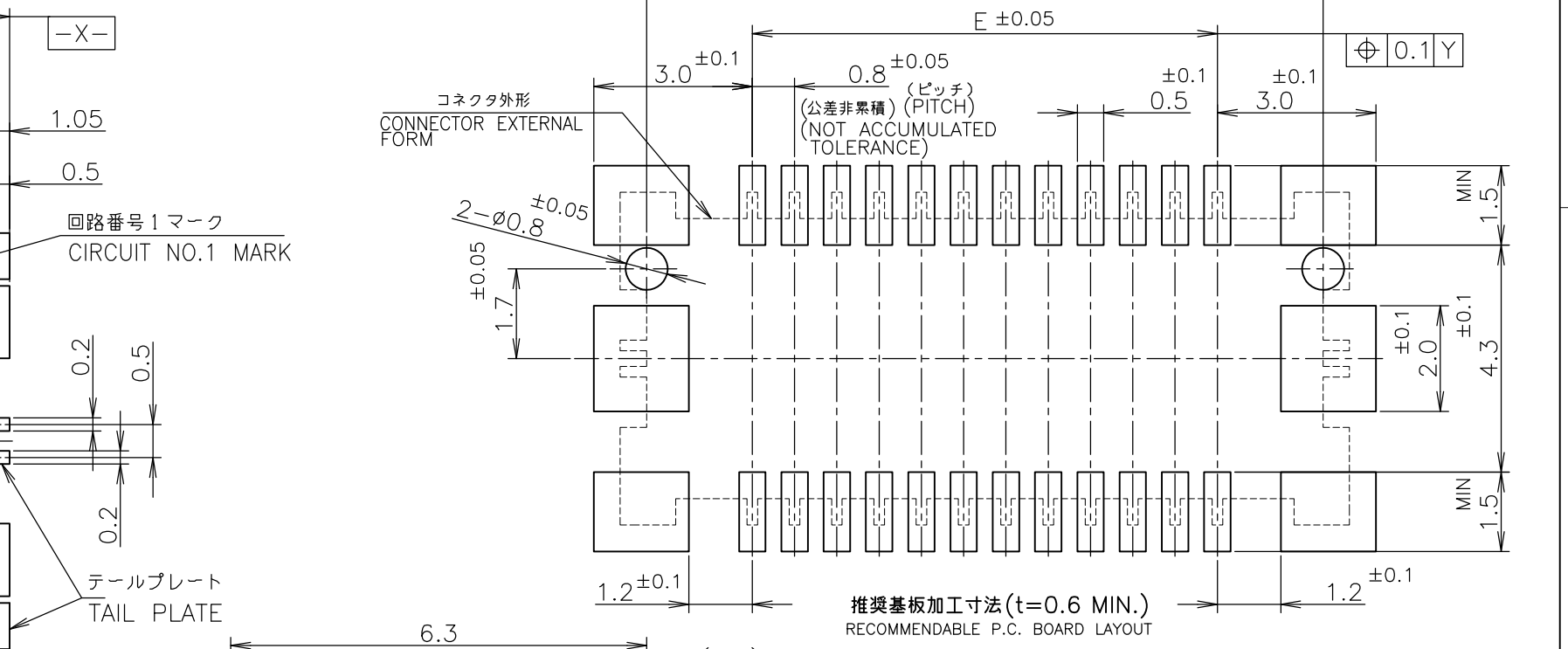
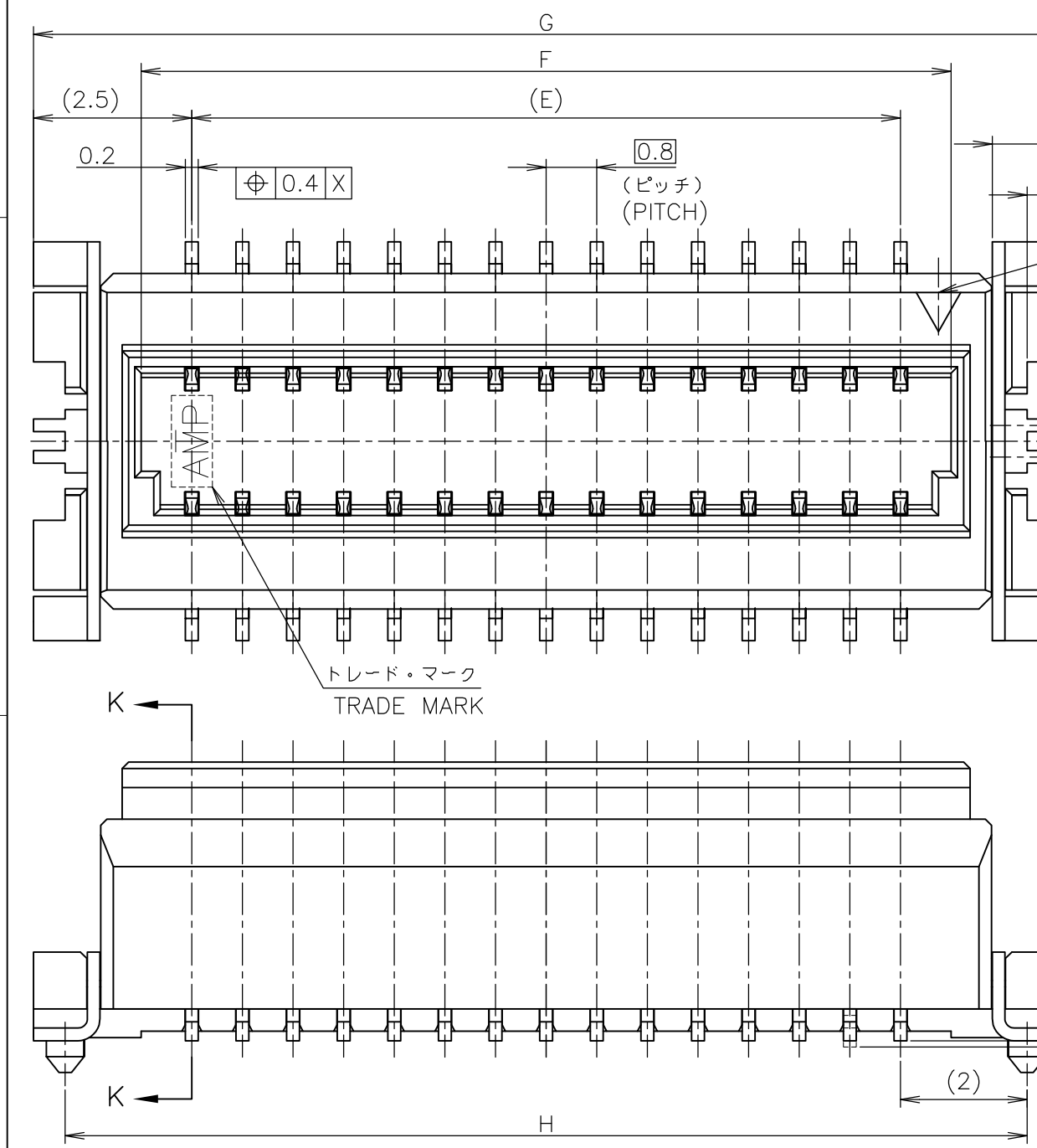
THIS DRAWING IS A CONTROLLED DOCUMENT.

DIMENSIONS: 単位: 概 mm	TOLERANCES UNLESS OTHERWISE SPECIFIED: 一般公差	DWN M.IWASAKI 27DEC04	STE TE Connectivity
	0 PLC ± 0.2 1 PLC ± 0.2 2 PLC ± 0.2 3 PLC ± 0.2 4 PLC ± 0.2 ANGLES ± 3°	CHK Y.NAKAZAWA 27DEC04	
MATERIAL 材料	FINISH 仕上	APVD T.KUSUHARA 27DEC04	NAME エンボス詰 キャップ・アッセンブリ (ボス付) ON TAPING EMBOSS CAP ASSEMBLY WITH BOSS
		PRODUCT SPEC 製品規格 108-5424	7.5mm PITCH FINE STACK CONNECTOR MATING HEIGHT 5.0mm
		APPLICATION SPEC 取付適用規格	SIZE A3
		WEIGHT	CAGE CODE 00779
			DRAWING NO C-6376038
			RESTRICTED TO
			SCALE 尺度 4:1
			SHEET 1 OF 3
			REV A1

CUSTOMER DRAWING

LOC	DIST	REVISIONS					
J		P	LTR	DESCRIPTION	DATE	DWN	APVD
		-		SEE SHEET 1	-	-	-

本図：コネクタ図
AS SHOWN: CONNECTOR DWG



△ 材料：ハウジング - 6T NYLON (高耐熱性ナイロン)
ガラス30%, 色：ベージュ
コンタクト - 銅合金・錫めっき(0.2t)
テールプレート - 銅合金・錫めっき(0.2t)

△ MATERIAL: HOUSING - 6T NYLON (HIGH HEAT-RESISTED NYLON), GF30%,
COLOR: BEIGE.
CONTACT - POST-TIN/COPPER ALLOY (0.2t)
TAIL PLATE - POST-TIN/COPPER ALLOY (0.2t)

INSTRUCTION SHEET
取扱説明書
411-5654

-	8	9	5.6	4	12	1-6376038-2
0.502	15.2	16.2	12.8	11.2	30	3-6376038-0
重量(g) WEIGHT	H	G	F	E	極数 POS.	型番 PART NO.

THIS DRAWING IS A CONTROLLED DOCUMENT.

DIMENSIONS: 単位: 耗 mm	TOLERANCES UNLESS OTHERWISE SPECIFIED: 一般公差
	0 PLC ± 0.2 1 PLC ± 0.2 2 PLC ± 0.2 3 PLC ± 0.2 4 PLC ± 0.2 ANGLES ± 3'
MATERIAL 材料	FINISH 仕上

DWN	CHK	APVD	PRODUCT SPEC 製品規格 108-5424	APPLICATION SPEC 取付適用規格	WEIGHT	TE Connectivity 名称 エンボス詰 キャップ・アッセンブリ (ボス付) ON TAPING EMBOSS CAP ASSEMBLY WITH BOSS 0.8mm PITCH FINE STACK CONNECTOR MATING HEIGHT 5.0mm	
SIZE		CAGE CODE	DRAWING NO 番号	RESTRICTED TO			
A3		00779	G-6376038				
CUSTOMER DRAWING		SCALE 尺度	10:1	SHEET	2 OF 3	REV	A1

THIS DRAWING IS UNPUBLISHED.

RELEASED FOR PUBLICATION DEC ,2004.

© COPYRIGHT 2004 By -

ALL RIGHTS RESERVED.

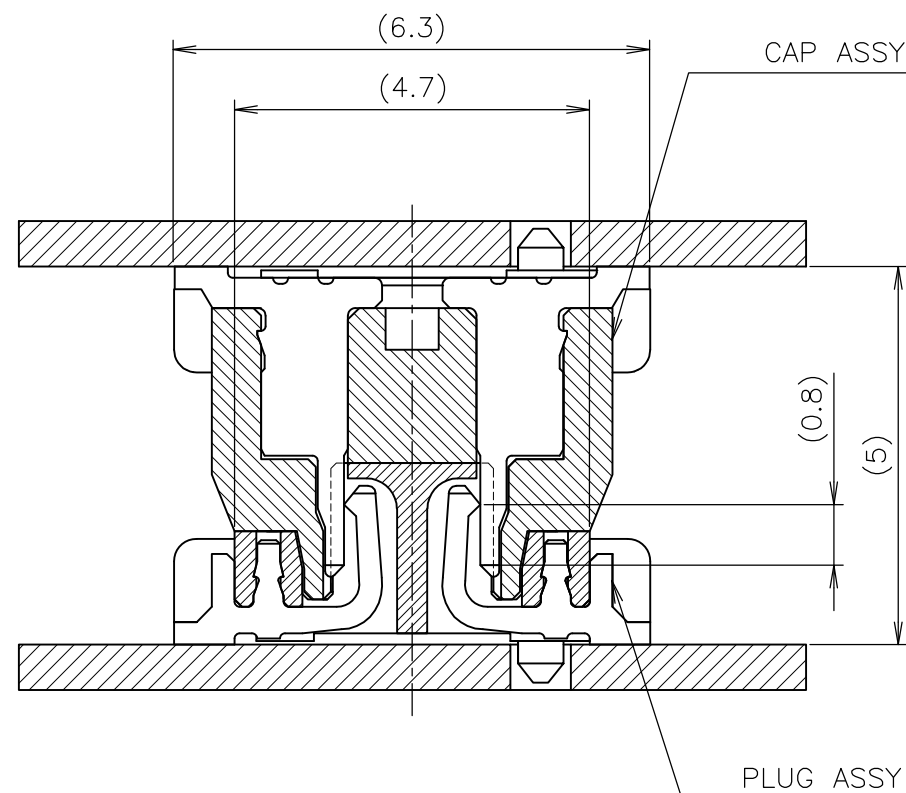
LOC J
DIST

REVISIONS

変更

P	LTR	DESCRIPTION	DATE	DWN	APVD
-	-	SEE SHEET 1	-	-	-

0.8mm PITCH FINE STACK CONNECTOR
(MATING HEIGHT 5.0mm)



嵌合状態図

THIS DRAWING IS A CONTROLLED DOCUMENT.		DWN	TE Connectivity		
DIMENSIONS: 単位: 耗 mm		CHK			
	TOLERANCES UNLESS OTHERWISE SPECIFIED: 一般公差	APVD	NAME 名称 エンボス詰 キャップ・アッセンブリ (ボス付) ON TAPING EMBOSS CAP ASSEMBLY WITH BOSS		
	0 PLC ± 0.2	PRODUCT SPEC	0.8mm PITCH FINE STACK CONNECTOR		
	1 PLC ± 0.2	製品規格	MATING HEIGHT 5.0mm		
	2 PLC ± 0.2	108-5424	SIZE	CAGE CODE	DRAWING NO
3 PLC ± 0.2	取付適用規格	A3 00779 C-6376038			
4 PLC ± 0.2	FINISH 仕上	WEIGHT	RESTRICTED TO		
MATERIAL 材料		CUSTOMER DRAWING			SCALE 尺度 NTS
		SHEET 3 OF 3			REV A1