



22Km Range DIN Rail RF Receiver

Features:

- 4 Channel RF Receiver
- Range
 - LORA Mode up to **22km**
 - FSK Mode up to **4km**
- 4 x Relay Contacts 5A @ 230Vac
- Supply 6-32Vdc
- Slim 23mm wide Enclosure
- LED Signal Strength Indication
- SMA Antenna connection
- Outputs Mom / Latching / Timed
- Any Switch Map to Any Relay
- Watchdog Option
- Systems supplied 'ready to go'
- Antenna included
- Available as either:
 - 868MHz for use in Europe
 - 918MHz for use in USA & Australia



Applications

- Industrial, Conveyors, Machinery, Pumps
- General Purpose Telemetry
- M2M Control Switching

Description

A versatile Remote Control Receiver System for many different applications.

This Slim DIN Rail Receiver is ideally suited to many industrial systems. Installation is by screw terminals and the unit can be powered from a wide dc supply voltage range.

The outputs can easily be configured to operate in many different modes of operation including; Momentary, Timed or Latching functions with programmable Watchdog.

Part Number	Description
SLIMDIN-8R4	DIN Rail Receiver 868MHz 4 Channels inc Antenna
SLIMDIN-9R4	DIN Rail Receiver 918MHz 4 Channels inc Antenna

SLIMDIN Receiver

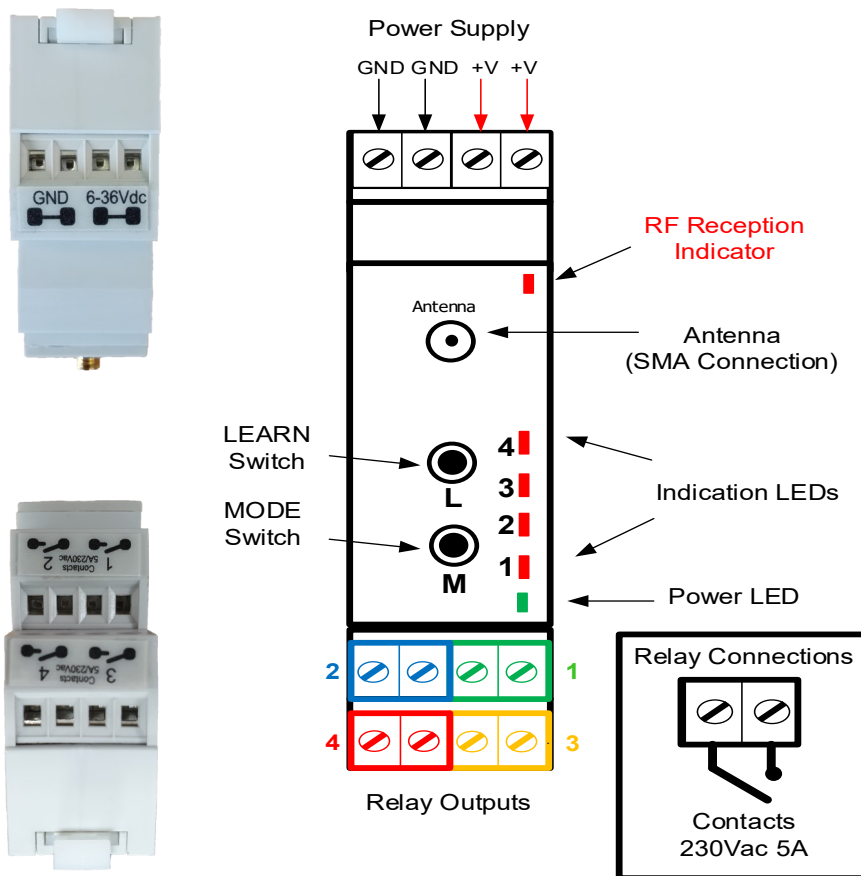


What's in the Box?

1. DIN Receiver Unit
2. Whip Antenna



Front Panel Connections



RF Reception Indicator

Flashes when a compatible RF signal is received (even when transmitter is unpaired).

Indication LEDs

In Normal Operation: Indicates the output relay status.

In Self Test Mode: indicate Received RF Signal Strength.

To 'LEARN' a new transmitter

1. Press and hold Learn Switch for a couple of seconds until LED 1 illuminates
2. This indicates relay output 1 is selected
3. Repeat press the Learn Switch until the LED indicates the chosen relay output to be paired.
4. When Chosen Relay number is selected, operate the transmitter that you want to pair with it
5. The learn LED will flash to indicate pairing is complete

Erasing ALL Transmitters

1. Press and hold the Learn switch for approx. 10 seconds.
2. When all LEDs flash, all memory is erased

NOTE: You cannot erase individual Tx encoders

To Configure Receiver Operation

There are 4 Menus to configure;

Menu 1: Relay outputs Operation according to the **Table** below

Menu 2: Time Delays on the Relay Outputs

Menu 3: RF MODE

Menu 4: Watchdog / Power on Relay Status

Menu 1 Output Relay Operation

To enter Menu 1 press and hold the M switch until LED 1 flashes (about 2 seconds).

Press L Switch to confirm selection

You are now in Relay Outputs Operation mode

Repeat press the M switch to select the Relay Operation from the table below

Press L Switch to confirm selection and exit

	Relay Outputs Operation			
LED	RLY 1	RLY 2	RLY 3	RLY 4
1 (Default)	Momentary	Momentary	Momentary	Momentary
2	Latching	Latching	Momentary	Momentary
3	Latching	Latching	Latching	Latching
4	Timed	Timed	Timed	Timed

Definition of Terms

Momentary Output is active for as long as the Transmitter input is pressed

Latching Output changes state each time the transmitter is operated

Timed Output will operate for the set time, Each operation of transmitter will start the timer.

Default mode in **Bold**

Menu 2 Set Relay Timed Output

This menu is used to set individual time delays for the relay outputs.

Each relay output can have a time delay of up to 9,999 seconds. Each digit of the time delay (in seconds) is programmed into the Receiver. If no time setting is set the receiver will default to 5 secs Momentary operation.

Enter Time Delay Setting Menu

To enter Menu 2 press and hold the M switch until LED 1 flashes (about 2 secs).

Repeat Press M switch again so that LED 2 is flashing.

Press L Switch to confirm selection. You are now in Time Delay setting.

Select Relay Output

LED is flashing slowly to indicate the chosen Relay output.

Repeat Press the M switch to step through to the relay output you want to set a time delay on.

When chosen output Relay is selected press L to confirm.

Set Time Delay

All LEDs stay illuminated (to show you are setting the time delay) apart from the LED indicating the digit you are setting.

starting with the thousands digit, (LED 1) ending with the "units" digit (LED4).

Starting With LED1 extinguished:

Pressing M switch increments the digit by 1 (so to set a four thousand Seconds press the M Switch 4 times).

Pressing L switch confirms and moves to the next digit.

Step through each digit setting the time delay increment by pressing the M switch and then L switch to confirm.

After the units digit has been set and confirmed the Receiver will display a summary of time delay setting digit by digit on each LED.

LED1 will flash to display the Thousands of seconds delay that has been set.

LED2 will flash to display the hundred of seconds delay that has been set.

And so on...

Display Current Time Delay Setting

You can check to see what pre-set time delay is programmed by the following;

Enter Time Delay Setting Menu (as above)

Select Output Relay (as above)

Wait for 10 secs, the receiver display a summary of time delay setting digit by digit on each LED.

Note:

During normal operation If the user presses the Transmitter Button during a Timed Delay Output, the output Time Delay is started again

Menu 3 RF Mode

Note: On initial power up, the Receiver unit will flash all LEDs indicate which RF Mode is currently set!

To enter Menu 3 press the M switch until LED 1 flashes (about 2 secs).

Repeat Press M switch so that LED 3 is flashing

Press L Switch to confirm selection

LED 1 will flash slowly.

Repeat press the M switch to select the RF Mode from the table below

Press L Switch to confirm selection

ALL LEDs will Flash to confirm the RF Modes selected and exit.

LED	868MHz	918MHz
1	FSK (default)	LORA Mode 1
2	LORA Mode 1	LORA Mode 3 (default)
3	LORA Mode 3	LORA Mode 5
4	LORA Mode 7	LORA Mode 7

Menu 4 Watchdog / Power on Relay Status

When Watchdog is enabled Relay Output 4 is a “Watchdog” Output.

Relay Output 4 is held 'ON' as long as a valid transmitted signal is received within the “watchdog time period”. If the receiver fails to receive a single valid transmission within the “watchdog time period” then Relay Output 4 will dropout.

The “watchdog time period” is set to 10secs by default. This time can be changed by setting the Time Delay (Menu 2) specifically for Output Relay 4.

We recommend that the “watchdog time period” on the receiver be set to at least three times the regular transmission interval from the transmitter to prevent false drop outs

To enter Menu 4 press the M switch until LED 1 flashes (about 2 secs).

Repeat Press M switch so that LED 4 is flashing, then Press L Switch to confirm selection

LED 1 will flash slowly (setting Watchdog). Press L Switch to confirm selection

Repeat press the M switch to select the Watchdog Mode from the table below

Press L Switch to confirm selection

LED 4	RF Mode
ON	Watchdog is ENABLED
OFF	Watchdog is DISABLED (default)

Power on Relay Status

Is Power on Relay Status is enabled, the status of the relay outputs are recovered in the event of a power cut.

To enter Menu 4 press the M switch until LED 1 flashes (about 2 secs).

Repeat Press M switch so that LED 4 is flashing, Press L Switch to confirm selection

LED 1 will flash slowly (setting Watchdog).

Press M switch so that LED 2 is flashing slowly, Press L Switch to confirm selection

Repeat press the M switch to select the Power on Mode from the table below

Press L Switch to confirm selection

LED 4	Relay Status After Power-up
ON	Relays will be relaxed / open Circuit (default)
OFF	Relays will be restored to the status prior to power being removed

Technical Specifications

Enclosure Rating	IP40
Dimensions	88.4 x 56.4 x 22.5 mm (not including antenna)
Storage Temperature:	-10 to +90° Celsius.
Operating Temperature:	-10 to +60° Celsius.
Absolute max voltage :	+34V.

Electrical Characteristics	MIN	TYP	MAX	Dimension
Supply Voltage	6		32	Vdc
Supply Current : Quiescent		26		mA
All relays operating*		85		mA
Frequency		869.500 918.000		MHz
Relay Rating* (230Vac) RLY1-4			5	A
Time from Tx 'ON' Switch to Rx Relay operation				
FSK		30		mS
LORA		30-1500		
Time from Tx 'OFF' Switch to Rx Relay operation				
FSK		30		mS
LORA		30-1500		

*The relay contacts in this unit are for functional use only and must not be used for isolation purposes.

Self Test

Press and hold Learn and Mode Switch together then apply power. When ALL indication LEDs illuminate, you can release the Learn and Mode Switches.

Self Test now performs the following functions

1. Operate Relay's 1-4 , (Await user press M Switch)
2. Momentarily Operate all LEDs 1-4, then RF Signal LED (Await user press M Switch)
3. Transmit RF Test Signal (All LEDs flash together)

Restore to Factory Default Settings

This completely erases, timers modes, Watchdog and resets the Module to Factory Defaults;

1. Press and hold Mode Switch for approx. 10 seconds.
2. When All LEDs Fast Flash together all user configuration is reset

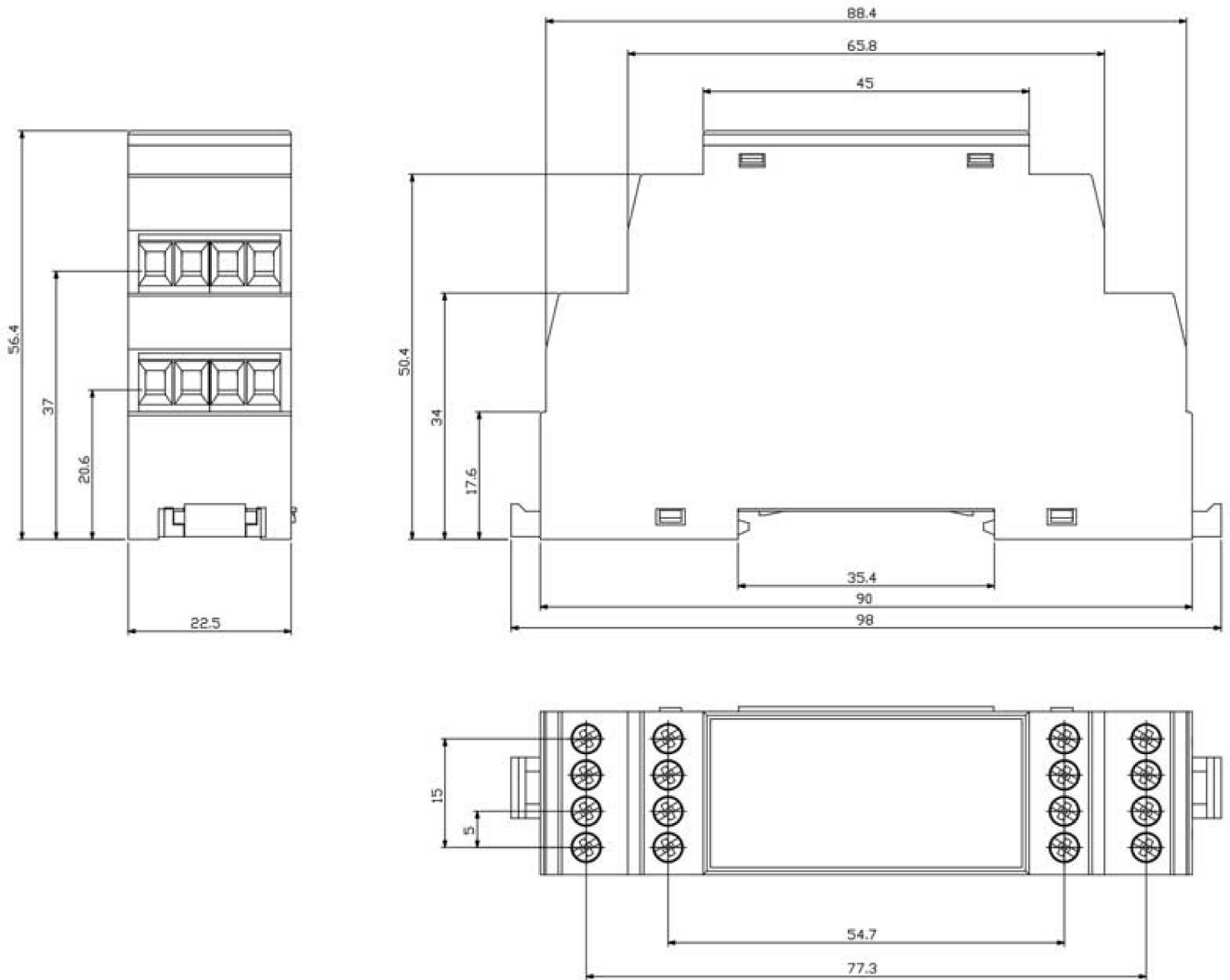
Note: This does not Erase Paired Transmitters.

To erase all Transmitter Pairings and you must also "Erase all Transmitters"

SLIMDIN Receiver



Mechanical Details



Simplified Declaration of Conformity (RED)

BG - С настоящото RF Solutions Limited декларира, че този тип радиосъоръжение дефинирани в този документ е в съответствие с Директива 2014/53/ЕС. Цялостният текст на ЕС декларацията за съответствие може да се намери на следния интернет адрес: www.rfsolutions.co.uk

CS - Tímto RF Solutions Limited prohlašuje, že typ rádiového zařízení definované v tomto dokumentu je v souladu se směrnicí 2014/53/EU. Úplné znění EU prohlášení o shodě je k dispozici na této internetové adrese: www.rfsolutions.co.uk

DA - Hermed erklærer RF Solutions Limited, at radioudstyrstypen defineret i dette dokument er i overensstemmelse med direktiv 2014/53/EU. EU-overensstemmelseserklæringens fulde tekst kan findes på følgende internetadresse: www.rfsolutions.co.uk

DE - Hiermit erkläre RF Solutions Limited, dass der Funkanlagentyp in diesem Dokument definiert der Richtlinie 2014/53/EU entspricht. Der vollständige Text der EU-Konformitätserklärung ist unter der folgenden Internetadresse verfügbar: www.rfsolutions.co.uk

EL - Με την παρούσα ο/η RF Solutions Limited, δηλώνει ότι ο ραδιοεξοπλισμός ορίζεται σε αυτό το έγγραφο πληροί την οδηγία 2014/53/ΕΕ. Το πλήρες κείμενο της δήλωσης συμμόρφωσης ΕΕ διατίθεται στην ακόλουθη ιστοσελίδα στο διαδίκτυο: www.rfsolutions.co.uk

EN - Hereby, RF Solutions Limited declares that the radio equipment type defined within this document is in compliance with Directive 2014/53/EU. The full text of the EU declaration of conformity is available at the following internet address: www.rfsolutions.co.uk

ES - Por la presente, RF Solutions Limited declara que el tipo de equipo radioeléctrico definido dentro de este documento es conforme con la Directiva 2014/53/UE. El texto completo de la declaración UE de conformidad está disponible en la dirección Internet siguiente: www.rfsolutions.co.uk

ET - Käesolevaga deklareerib RF Solutions Limited, et käesolev raadioseadme tüüp määratletud selles dokumendis vastab direktiivi 2014/53/EL nõuetele. ELi vastavusdeklaratsiooni täielik tekst on kättesaadav järgmisel internetiaadressil: www.rfsolutions.co.uk

FI - RF Solutions Limited vakuuttaa, että radiolaitetyypin määrättyä selles dokumendis on direktiivin 2014/53/EU mukainen. EU-vaatimusten mukaisuusvakuutuksen täysimittainen teksti on saatavilla seuraavassa internetosoitteessa: www.rfsolutions.co.uk

FR - Le soussigné, RF Solutions Limited, déclare que l'équipement radioélectrique du type défini dans ce document est conforme à la directive 2014/53/UE. Le texte complet de la déclaration UE de conformité est disponible à l'adresse internet suivante: www.rfsolutions.co.uk

HR - RF Solutions Limited ovime izjavljuje da je radijska oprema tipa definirani u ovom dokumentu u skladu s Direktivom 2014/53/EU. Cjeloviti tekst EU izjave o sukladnosti dostupan je na sljedećoj internetskoj adresi: www.rfsolutions.co.uk

HU - RF Solutions Limited igazolja, hogy a dokumentumban meghatározottak szerint típusú rádióberendezés megfelel a 2014/53/EU irányelvnek. Az EU-megfelelőségi nyilatkozat teljes szövege elérhető a következő internetes címen: www.rfsolutions.co.uk

IT - Il fabbricante, RF Solutions Limited, dichiara che il tipo di apparecchiatura radio definito all'interno di questo documento è conforme alla direttiva 2014/53/UE. Il testo completo della dichiarazione di conformità UE è disponibile al seguente indirizzo Internet: www.rfsolutions.co.uk

LT - Aš, RF Solutions Limited, patvirtinu, kad radijo įrenginių tipas apibrėžta šiame dokumente atitinka Direktyvą 2014/53/ES. Visas ES atitikties deklaracijos tekstas prieinamas šiuo interneto adresu: www.rfsolutions.co.uk

LV - Ar šo RF Solutions Limited deklarē, ka radioiekārta kas definēts šajā dokumentā atbilst Direktīvai 2014/53/ES. Pilns ES atbilstības deklarācijas teksts ir pieejams šādā interneta vietnē: www.rfsolutions.co.uk

MT - B'dan, RF Solutions Limited, niddikjara li dan it-tip ta' tagħmir tar-radju definit f'dan id-dokument huwa konformi mad-Direttiva 2014/53/UE. It-test kollu tad-dikjarazzjoni ta' konformità tal-UE huwa disponibbli f'dan l-indirizz tal-Internet li ġej: www.rfsolutions.co.uk

NL - Hierbij verklaar ik, RF Solutions Limited, dat het type radioapparatuur gedefinieerd in dit document conform is met Richtlijn 2014/53/EU. De volledige tekst van de EU-conformiteitsverklaring kan worden geraadpleegd op het volgende internetadres: www.rfsolutions.co.uk

PL - RF Solutions Limited niniejszym oświadczam, że typ urządzenia radiowego zdefiniowane w tym dokumencie jest zgodny z dyrektywą 2014/53/UE. Pełny tekst deklaracji zgodności UE jest dostępny pod następującym adresem internetowym: www.rfsolutions.co.uk

PT - O(a) abaixo assinado(a) RF Solutions Limited declara que o presente tipo de equipamento de rádio definido neste documento está em conformidade com a Diretiva 2014/53/UE. O texto integral da declaração de conformidade está disponível no seguinte endereço de Internet: www.rfsolutions.co.uk

RO - Prin prezenta, RF Solutions Limited declară că tipul de echipamente radio definit în acest document este în conformitate cu Directiva 2014/53/UE. Textul integral al declarației UE de conformitate este disponibil la următoarea adresă internet: www.rfsolutions.co.uk

SK - RF Solutions Limited týmto vyhlasuje, že rádiové zariadenie typu definované v tomto dokumente je v súlade so smernicou 2014/53/EÚ. Úplné EÚ vyhlásenie o zhode je k dispozícii na tejto internetovej adrese: www.rfsolutions.co.uk

SL - RF Solutions Limited potrjuje, da je tip radijske opreme opredeljeno v tem dokumentu skladen z Direktivo 2014/53/EU. Celotno besedilo izjave EU o skladnosti je na voljo na naslednjem spletnem naslovu: www.rfsolutions.co.uk

SV - Härmed försäkrar RF Solutions Limited att denna typ av radioutrustning definieras i detta dokument överensstämmer med direktiv 2014/53/EU. Den fullständiga texten till EU-försäkran om överensstämmelse finns på följande webbadress: www.rfsolutions.co.uk

RF Solutions Ltd. Recycling Notice

Meets the following EC Directives:

DO NOT: Discard with normal waste, please recycle.

ROHS Directive 2011/65/EU and amendment 2015/863/EU:

Specifies certain limits for hazardous substances.

WEEE Directive 2012/19/EU waste electrical & electronic equipment. This product must be disposed of through a licensed WEEE collection point. RF Solutions Ltd., fulfils its WEEE obligations by membership of an approved compliance scheme,

Environment agency registration number: WEE/JB0104WV.



Disclaimer:

Whilst the information in this document is believed to be correct at the time of issue, RF Solutions Ltd does not accept any liability whatsoever for its accuracy, adequacy or completeness. No express or implied warranty or representation is given relating to the information contained in this document. RF Solutions Ltd reserves the right to make changes and improvements to the product(s) described herein without notice. Buyers and other users should determine for themselves the suitability of any such information or products for their own particular requirements or specification(s). RF Solutions Ltd shall not be liable for any loss or damage caused as a result of user's own determination of how to deploy or use RF Solutions Ltd's products. Use of RF Solutions Ltd products or components in life support and/or safety applications is not authorised except with express written approval. No licences are created, implicitly or otherwise, under any of RF Solutions Ltd's intellectual property rights. Liability for loss or damage resulting or caused by reliance on the information contained herein or from the use of the product (including liability resulting from negligence or where RF Solutions Ltd was aware of the possibility of such loss or damage arising) is excluded. This will not operate to limit or restrict QuasarUK Ltd's liability for death or personal injury resulting from its negligence.