



# 360° Mobile Phone Bracket

SKU: 62452 Weight: 65.00 Gram

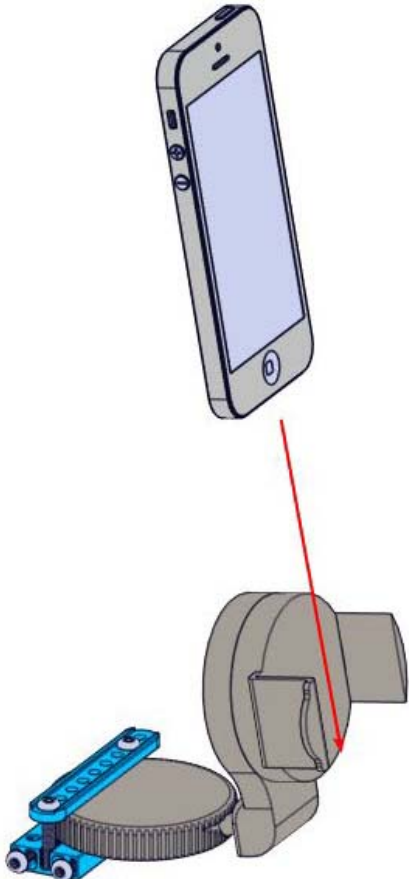
## What Is 360° Mobile Phone Bracket?

The mobile phone bracket is used to stabilize all sizes of mobile phones. Users are allowed to adjust shooting angle in 360°. Rotate to press it on the flat, the bracket base will firmly adhere to the flat.

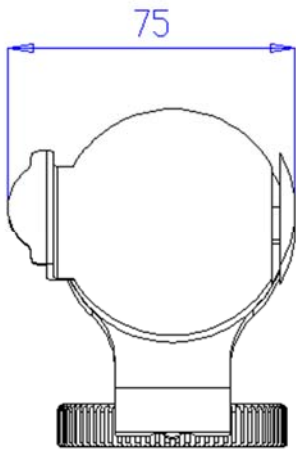
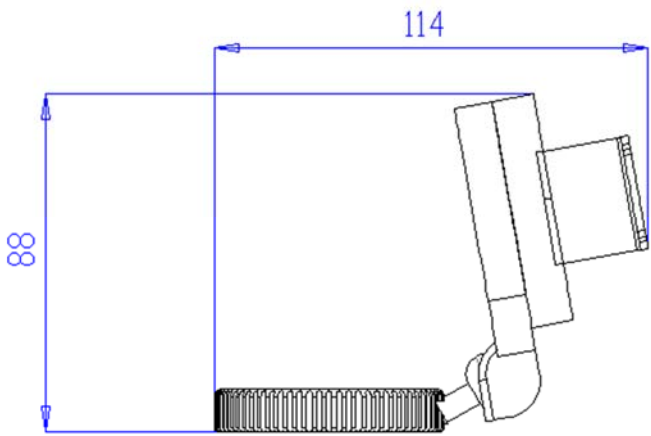
## Features

- ? Great tensile strength to stabilize all sizes of cellphones;
- ? Rotate in 360°;
- ? Bracket base adheres to the flat through a sucker.

**Demo:**



**Size Chart (mm):**



# Specifications

SKU	62452
Product Name	360°Mobile Phone Bracket
Gross Weight	65g
Package Content (Quantity x Part Name)	1 x 360°Mobile Phone Bracket

