



# U Bracket U3 - Blue

SKU: 62441 Weight: 15.00 Gram

U Bracket U2 is mostly used to connect with the tail of a mini cylinder with a bore size of 16mm. It will enable the cylinder to swing around the bracket.

Meanwhile, with 4mm Makeblock-compatible hole, the U Bracket U2 can also be used as a regular structure part for building, such as fixing [Beam 0808](#), [Beam 0824](#), etc.

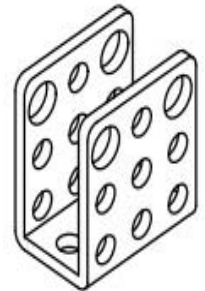
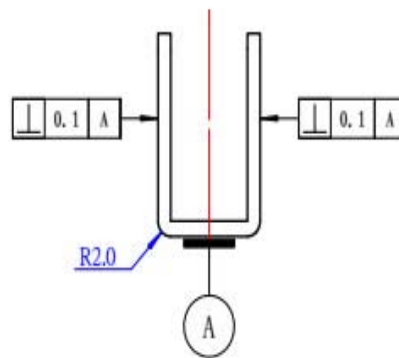
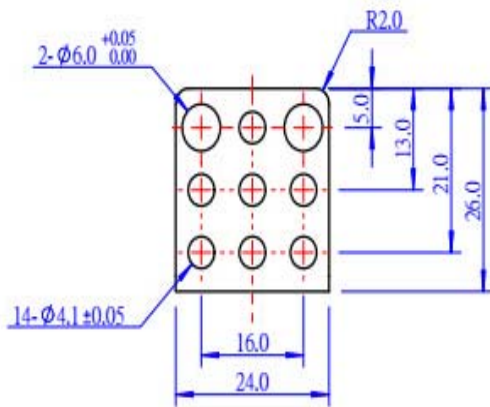
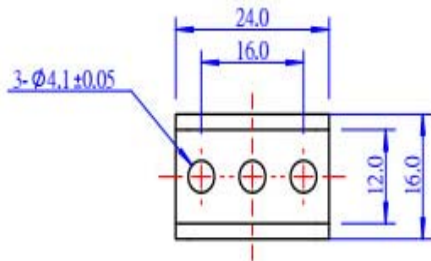
## Features:

- Opening width: 12mm;
- Diameter of all holes: 4.1mm;
- Pitch of holes: 8mm.

### Size Chart (mm):

Product Dimension Height/Width/Length: 18 x 24 x 26mm (0.71 x 0.94 x 1.02 inch)

Package Dimension Height/Width/Length: 80 x 130 x 18 mm (3.15 x 5.12 x 0.71 inch)



### Part List:

1 x U Bracket U3 - Blue