

NOTES:

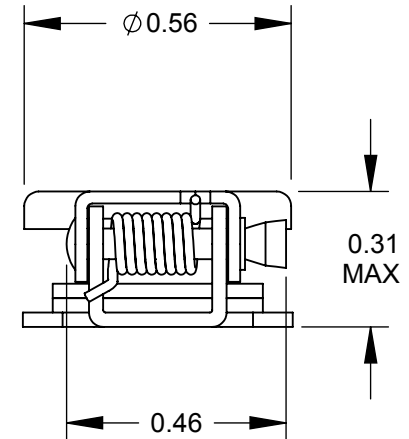
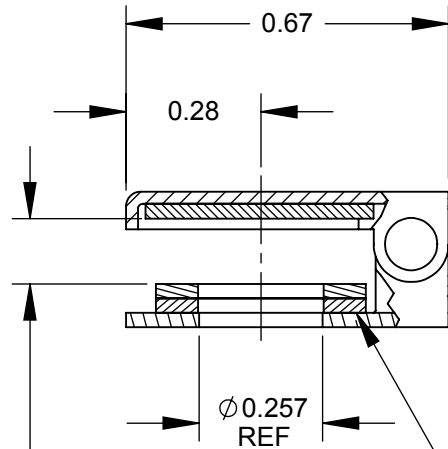
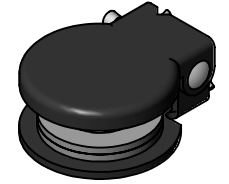
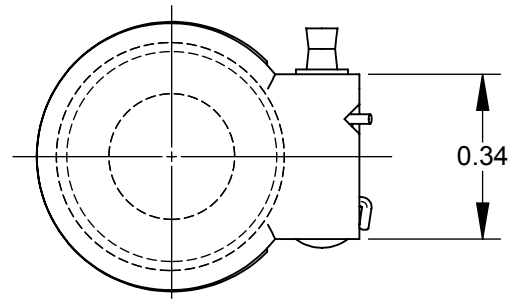
1. MATERIALS:

G COVER & BASE - STEEL
 FINISH - POLYESTER POWDER COAT,
 SEMI-GLOSS NAVY GRAY

GASKET - SYNTHETIC RUBBER
 TORSION SPRING - STAINLESS STEEL
 AXLE - STAINLESS STEEL
 AXLE WASHER - BRASS
 ACCESSORY WASHERS - STEEL, CADMIUM PLATED

F 2. TWO ACCESSORY WASHERS SHIPPED UNASSEMBLED

0.13 HIGH HEAD, USE 2 WASHERS.
 0.16 HIGH HEAD, USE 1 WASHER.
 0.19 HIGH HEAD, USE NO WASHERS.



CUSTOMER DRAWING

					THIS DRAWING DESCRIBES A DESIGN CONSIDERED PROPRIETARY IN NATURE, DEVELOPED AND MANUFACTURED BY SWITCHCRAFT INC. AND IS RELEASED ON A CONFIDENTIAL BASIS FOR IDENTIFICATION PURPOSES ONLY.					
					SIZE	WIDTH	MULT	LBS/M	TEMPER	
					UNLESS OTHERWISE SPECIFIED			FINISH		
					1. ALL DIMENSIONS IN INCHES			MATERIAL		
					- TWO PLACE DECIMALS ±0.02			SPEC No.		
					- THREE PLACE DECIMALS ±0.005			FIRST USED ON		
								SCALE		
								2.5:1		
G	28160	4/12/19	TJK	TJK	DATE DRAWN	BY	CHKD	APVD	Switchcraft®	
F	26575	07-23-10	JEB	TJK	4-22-64	IRT	CJW	LG		
								SHEET 1 OF 1		
REV	ECO NUMBER	DATE	BY	APVD	NAME			PART No.	REV	
REVISIONS					DO NOT SCALE DRAWING			620		G
					TIP JAX COVER ASSEMBLY, NAVY GRAY					

