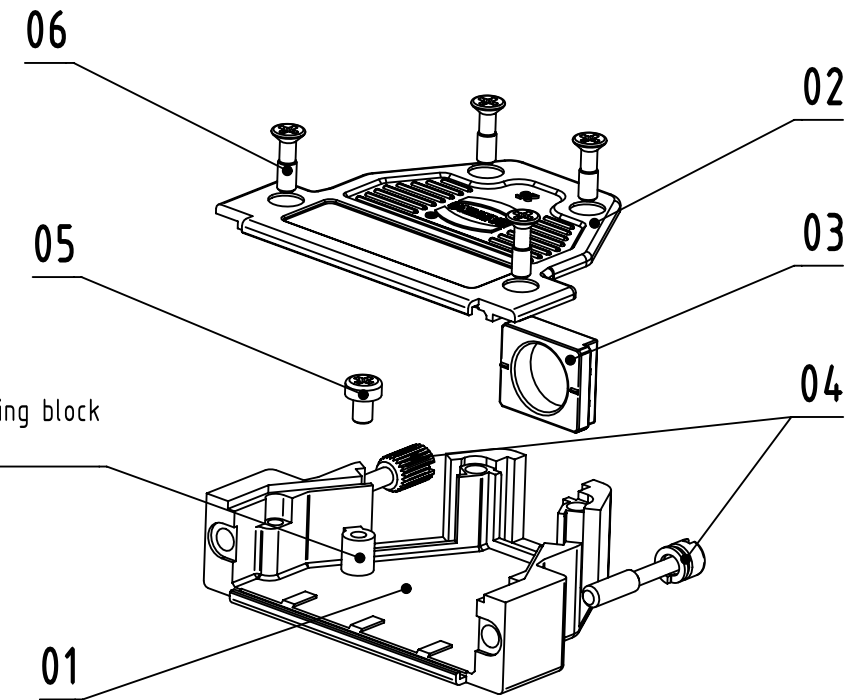
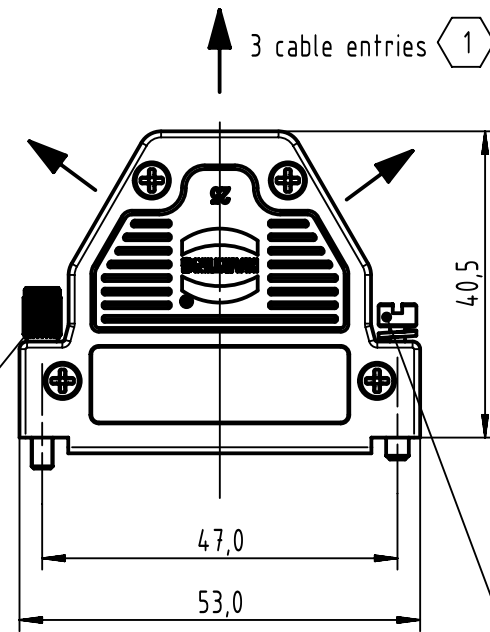


Hexagonal head screw driver
P/N 61 03 600 0021
for hexagonal head screw
max torque=0,5Nm



Internal grounding block
(optional)

<p>ring</p>		<p>Knurled head</p>	
<p>23,9</p> <p>16,8</p> <p>M3</p>	<p>23,9</p> <p>16,8</p> <p>4-40 UNC</p>	<p>20,55</p> <p>17,6</p> <p>Dim. B</p>	<p>20,55</p> <p>17,6</p> <p>Dim. B</p>
<p>Y=3</p> <p>M3 x 16,8</p>	<p>Y=0</p> <p>4-40 UNC x 16,8</p>	<p>Identification on locking screw</p> <p>0,80</p>	<p>Identification on locking screw</p> <p>0,80</p>
		<p>Y=1</p> <p>M3 x 17,6</p>	<p>Y=2</p> <p>4-40 UNC x 17,6</p>

1 For strain relief an additional InduCom cable clamp or a crimp flange and ferrule combination depending on the cable is necessary

Content InduCom hood			Spare parts (MOQ100)	
Pos.	Quantity	Description	Part Number	Quantity
01	1	metal hood		
02	1	metal cover		
03	2	blank piece (not assembled)	6103 000 0042	1
04	2	locking screw (assembled):		
		either knurled thumb screws 4-40 UNC (for 0117)	0967 002 9018	1
		or hexagonal M3 with captive washer (for 1117)	0967 002 9019	1
		or hexagonal 4-40 UNC with captive washer (for 2117)	0967 002 9020	1
		or knurled thumb screws M3 (for 3117)	0967 002 9017	1
05	1	grounding screw (not assembled) for version with internal grounding block	0963 002 0007	1
06	4	cover screw M2,5 with philips head (not losable in cover)	0963 002 0006	1

6103 001 Y017 ZZZ

Part Number	Dim B screw size	Screw type	Identification for locking screw	Internal grounding block
6103 001 0017	4-40 UNC	Knurled thumb screw	Without ring	With internal grounding block
6103 001 1017	M3	Hexagonal screw with captive washer	1 & Knurled head	
6103 001 2017	4-40 UNC	Hexagonal screw with captive washer	3	
6103 001 3017	M3	Knurled thumb screw	With ring	Without internal grounding block
6103 001 0017 010	4-40 UNC	Knurled thumb screw	Without ring	
6103 001 1017 010	M3	Hexagonal screw with captive washer	1 & Knurled head	
6103 001 2017 010	4-40 UNC	Hexagonal screw with captive washer	3	
6103 001 3017 010	M3	Knurled thumb screw	With ring	

Coating	A=	mm ²	V=	mm ³	m=	g	Mat. RN 09630091
	All Dimensions in mm Original Size DIN A3		Scale	Free size tol.		Ref.	
			1:1			Sub.	
	All rights reserved		Created by	Inspected by	Standardisation	Date	State
	Department EL PD		ZENGDO	LUOK	ROEBEN	2021-12-29	Final Release
			Title			Doc-Key / ECM-Nr.	
			InduCom 25P top side entry hood assembly			10088774/UGD/000/A 50000207961	
			Type	Number	Rev.		Page
			TB	6103001Y017	A		1/1