



# Slide Beam2424-104

SKU: 60822 Weight: 66.00 Gram

## What Is Slide Beam2424-104?

Slide Beam2424-104 is a frequently-used mechanical part of Makeblock platform, and also compatibles with most Makeblock mechanical components. There are various mounting holes and a threaded slot on the plane of this beam which allow you to assemble on other structures easily.

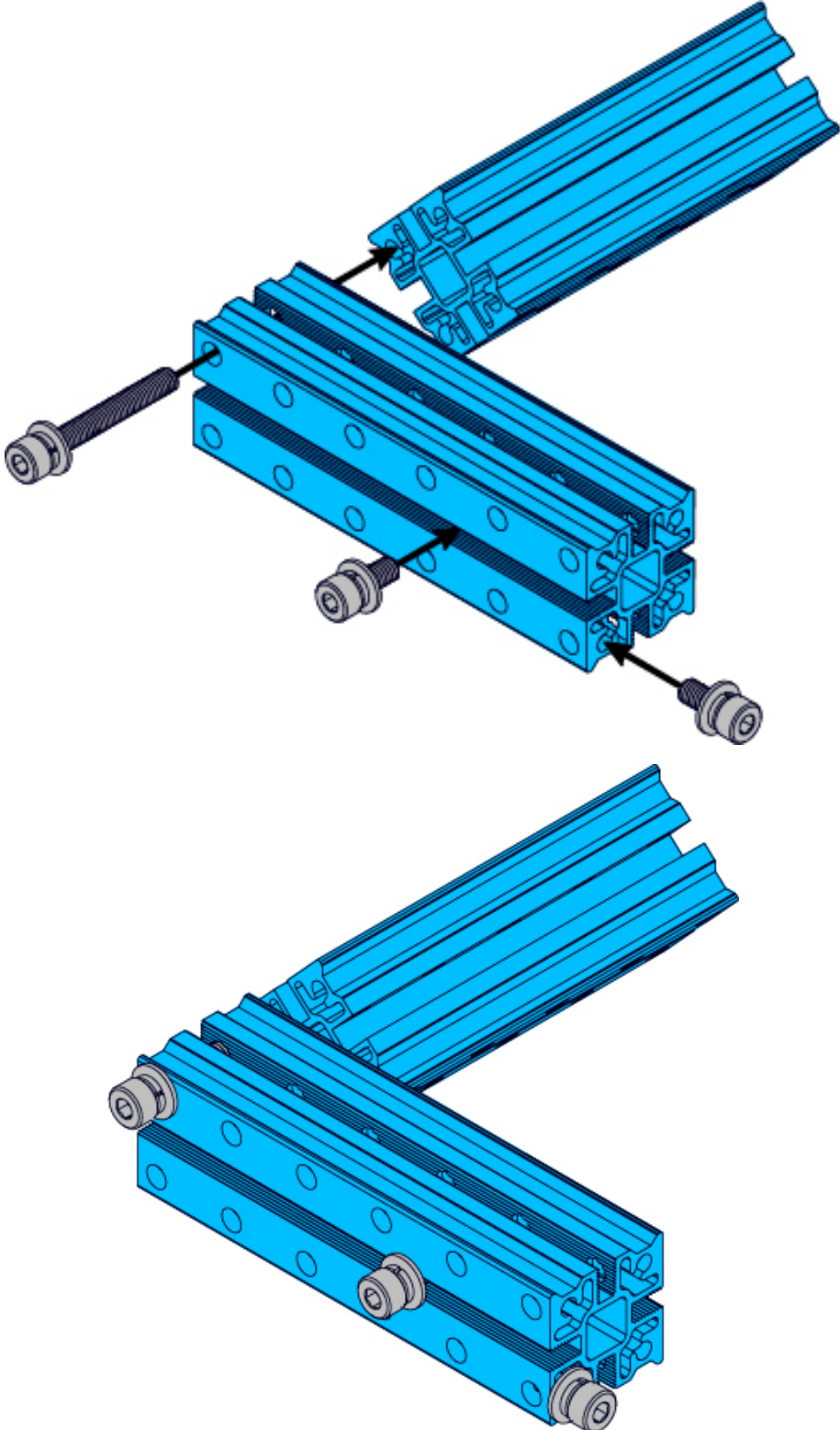
## Features

? Made from heavy-duty 6061 aluminum extrusion and has a nice appearance. With holes on 16mm increments, and M4 threaded holes on both ends.

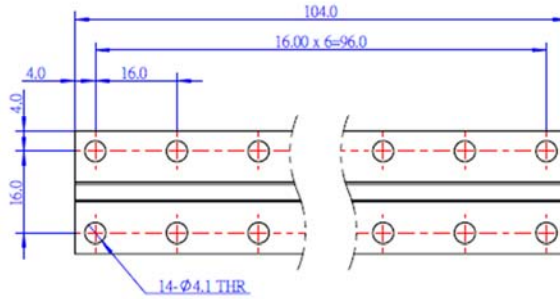
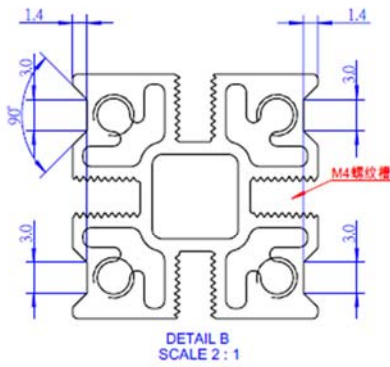
? High wear resistance, strong rigidity and high intensity.

? Cross-section area: 24\*24mm, length: 104mm.

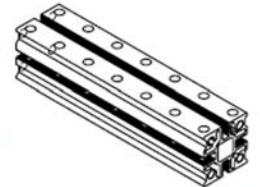
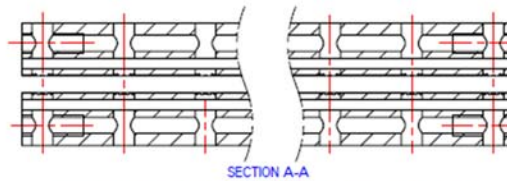
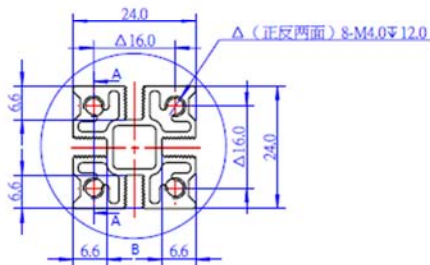
# DEMO



# Size Charts



加工数量	
工艺	工艺要求



## Specifications

SKU	60822
Product Name	Slide Beam2424-104
Length	104mm
Cross-section Area	24x24x104mm
Gross Weight	66g(2.33oz)
Package Content (Quantity x Part Name)	1 x Slide Beam2424-104