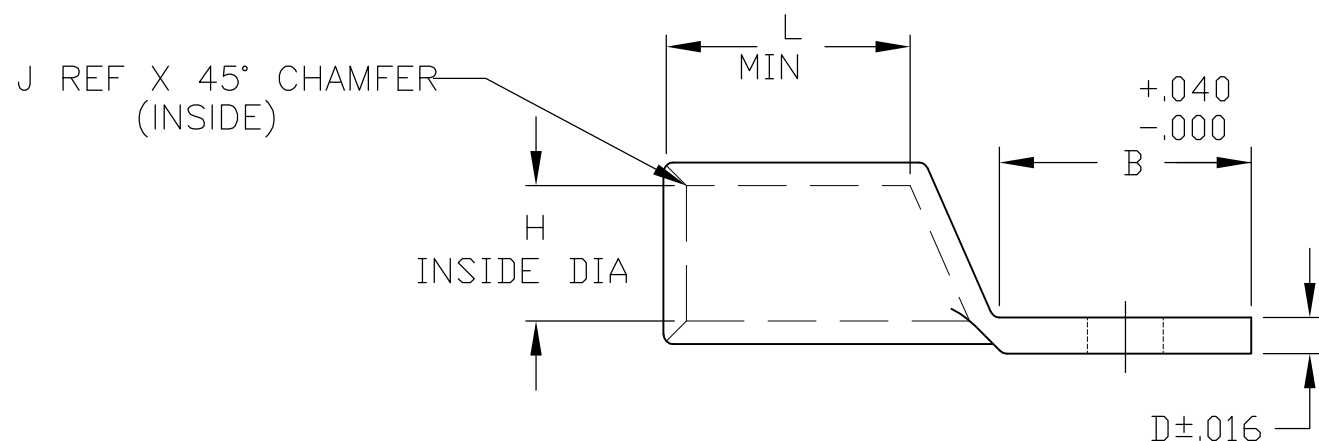
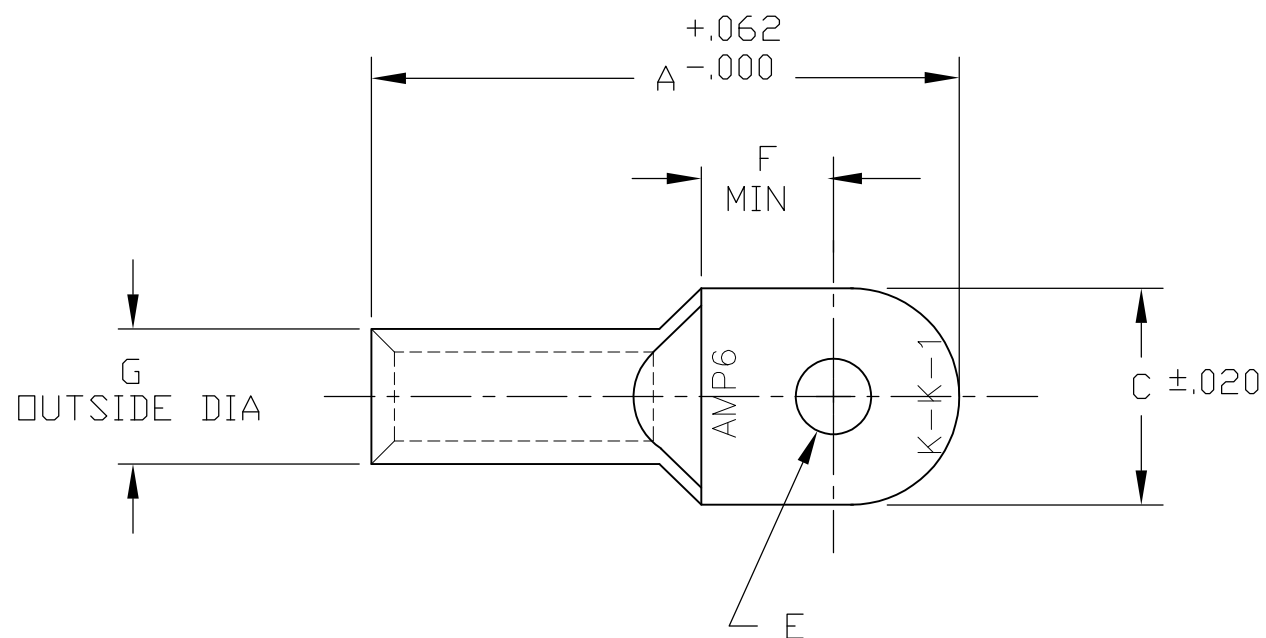


THIS DRAWING IS UNPUBLISHED. RELEASED FOR PUBLICATION
 © COPYRIGHT BY TYCO ELECTRONICS CORPORATION. ALL RIGHTS RESERVED.

LOC	DIST	REVISIONS					
G	86	P	LTR	DESCRIPTION	DATE	DWN	APVD
		B1		REV PER ECR 08-015124	13JUN08	JR	CK

1 HIGH CONDUCTIVITY WROUGHT COPPER ANNEALED



OBSOLETE	.750	.031	.232	.352	.420	∅.197	.094	.563	.813	1.813	606288-5
	.750	.031	.232	.352	.420	∅.390	.094	.563	.813	1.813	606288-3
	.750	.031	.232	.352	.420	∅.328	.094	.563	.813	1.813	606288-2
	.750	.031	.232	.352	.420	∅.265	.094	.563	.813	1.813	606288-1
	L	J	H	G	F	E	D	C	B	A	PART NUMBER

THIS DRAWING IS A CONTROLLED DOCUMENT.		DWN	jr_ruth	01JUN05	<p>Tyco Electronics Corporation Harrisburg, Pa 17105-3608</p>											
DIMENSIONS: INCHES		CHK	MJ SPICER	01JUN05												
TOLERANCES UNLESS OTHERWISE SPECIFIED:		APVD	MJ SPICER	01JUN05												
<table border="0"> <tr><td>0 PLC</td><td>± -</td></tr> <tr><td>1 PLC</td><td>± -</td></tr> <tr><td>2 PLC</td><td>± .02</td></tr> <tr><td>3 PLC</td><td>± .005</td></tr> <tr><td>4 PLC</td><td>± .0005</td></tr> <tr><td>ANGLES</td><td>± 5°</td></tr> </table>		0 PLC	± -	1 PLC		± -	2 PLC	± .02	3 PLC	± .005	4 PLC	± .0005	ANGLES	± 5°	PRODUCT SPEC	
0 PLC	± -															
1 PLC	± -															
2 PLC	± .02															
3 PLC	± .005															
4 PLC	± .0005															
ANGLES	± 5°															
MATERIAL		FINISH		APPLICATION SPEC												
-		1		-												
		TIN PLATED		-												
		CUSTOMER DRAWING		-												
		WEIGHT		-												
		SIZE		A3												
		CAGE CODE		00779												
		DRAWING NO		C-606288												
		RESTRICTED TO		-												
		SCALE		1:1												
		SHEET		1 OF 1												
		REV		B1												

OBSOLETE
NOT the LATEST REVISION