

Alle Rechte vorbehalten/ All rights reserved

5

4

3

2

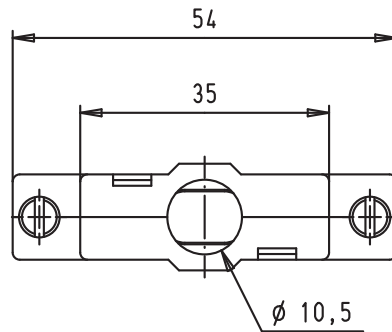
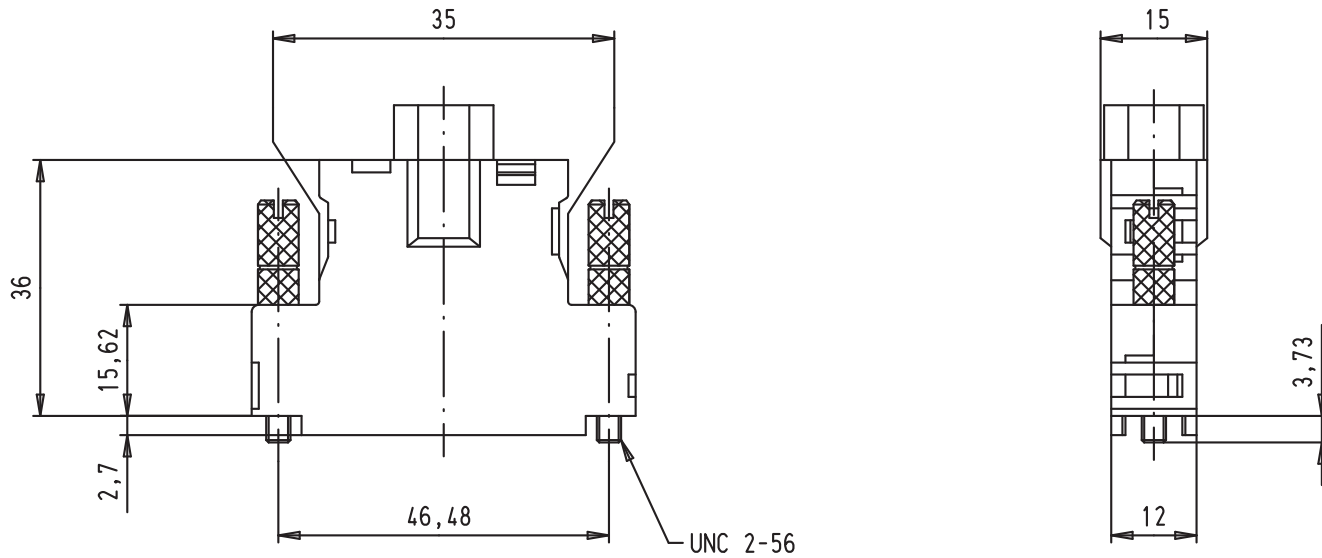
1



D

C

B

A



			Dat.		Name		 All Dim. in mm Orig. Size DIN A 4	Har-mik		Maßstab/ Scale
			Detail.	03/08/06	PK			Plastic hood with metal insert for IDC pin/socket connector with 2-56 UNC jack screws		1:1
			Insp.							
			Stand.							
35278	28/08/08	PK	HARTING EURL				TB 60 03 050 0143		Blatt/ Page	
33790	03/08/06	PK	F-95972 Paris						1 / 1	
Mod.	Dat.	Name								