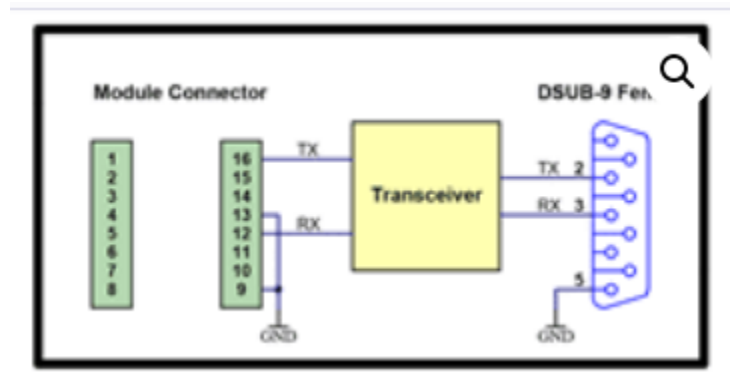
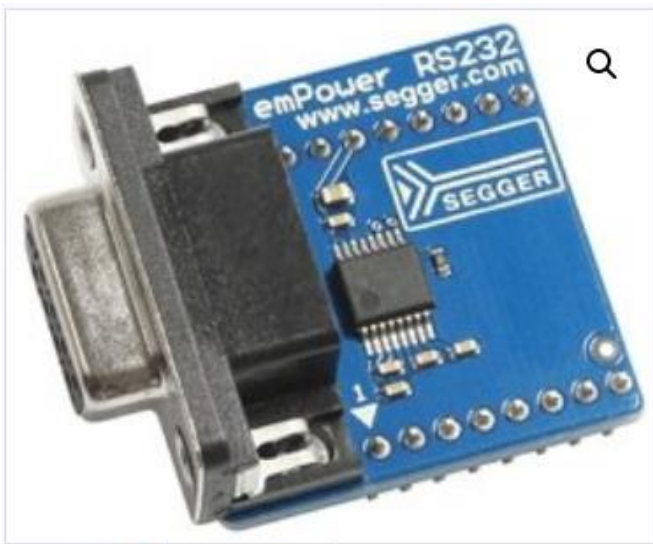




## emPower RS232 Add-On (6.32.32)

### 6.32.32 EMPOWER RS232 ADD-ON



The RS232 module is equipped with a female DSUB9 connector so that the add-on board can be connected to a PC (or a USB to serial adapter) directly or by using a 1:1 male / female cable (this module is a peripheral or DCE).

*This module can be plugged to one of the three Expansion Interfaces (J500/ExpIF0, J501/ExpIF1, J502/ExpIF2) of the emPower V2 board.*

Application example: Modbus protocol applying SEGGER emModbus software

**Weight** 0.5 lbs

**Dimensions** 6.25 × 4.25 × 1.25 in