

■ **Features**

- Single output from 6-15W
- 100-240Vac Universal Input
- IEC/EN/ANSI/AAMI ES60601-1 (edition 3.1)
- EMC: IEC60601-1-2: 2014 (edition 4.0)
- IEC/EN/UL 60950 approval
- Leakage current: <100µA
- Low Ripple Noise
- Means of protection: 2 X MOPP
- Efficiency level VI
- Interchangeable Plug types: US, EU, AU, UK, CN, JP
- 2-year warranty



*Product images are for illustrative purposes only and may vary from actual design.

■ **Application**

- Medical equipment

■ **Model List**

Custom Designs Available!

Model	Output Voltage	Output Current	Power
WM-M012A-033I-TP1-XX	3.3V	2A	6.6W
WM-M012A-050I-TP1-XX	5V	2A	10W
WM-M015A-050I-TP1-XX	5V	3A	15W
WM-M012A-120I-TP1-XX	12V	1A	12W
WM-M012A-150I-TP1-XX	15V	0.67A	12W
WM-M012A-180I-TP1-XX	18V	1.36A	12.06W
WM-M012A-240I-TP1-XX	24V	0.5A	12W

■ **Technical Data**

Voltage	100-240Vac
Line Frequency	50-60Hz
Current	0.32A-0.19A
Protection	Internal Primary Current Fuse
Configuration	A for US Plug
	D for EU Plug
	C for UK Plug
	B for AU Plug
	TP1 KIT for Changeable Plug

Technical Sales / Customer Service: +1-818-338-7788 • Email: sales@autec.com
 31328 Via Colinas Suite 102 • Westlake Village, CA 91362 USA • www.autec.com

February 21, 2020

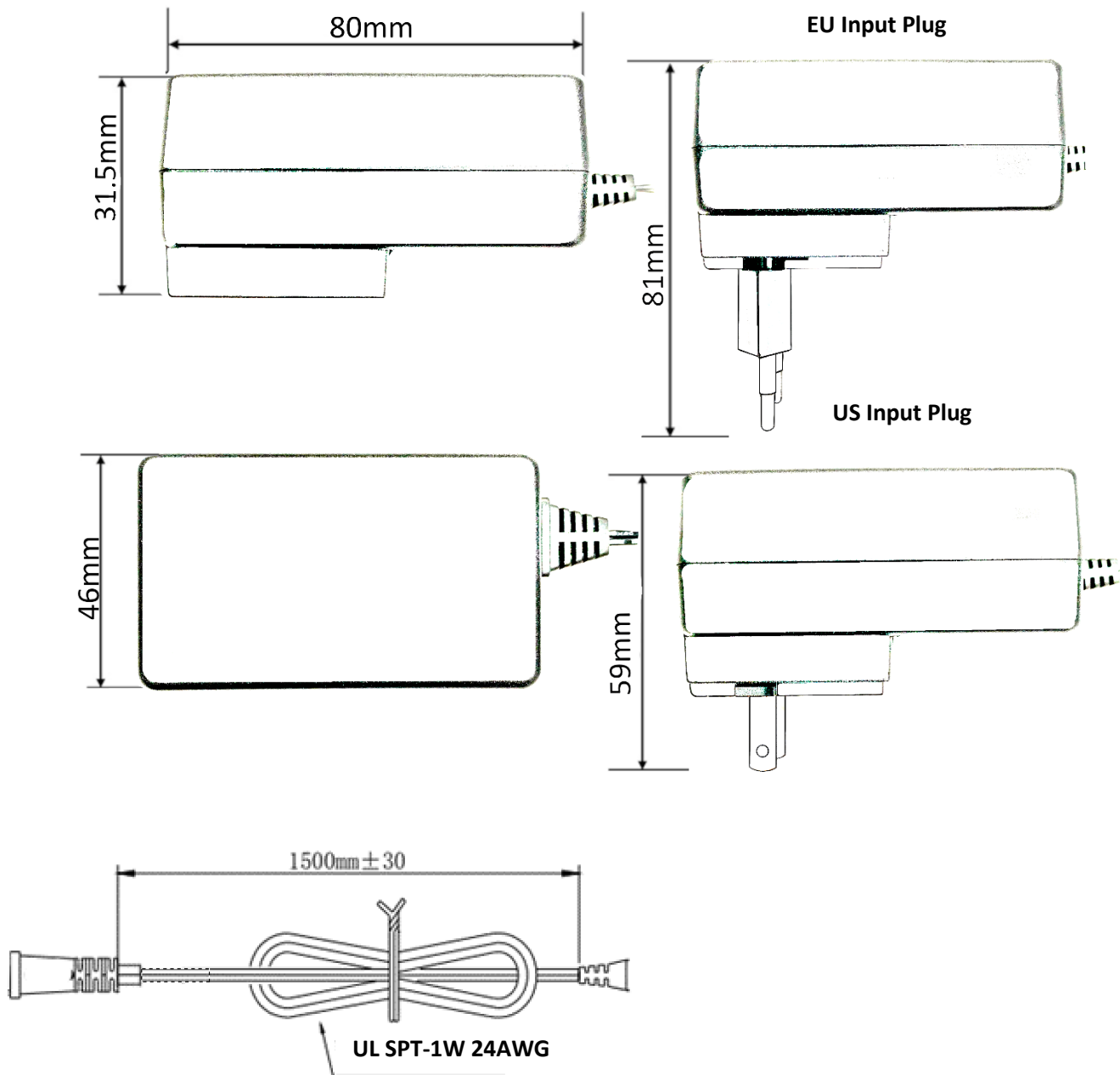
■ **Technical Data(cont.)**

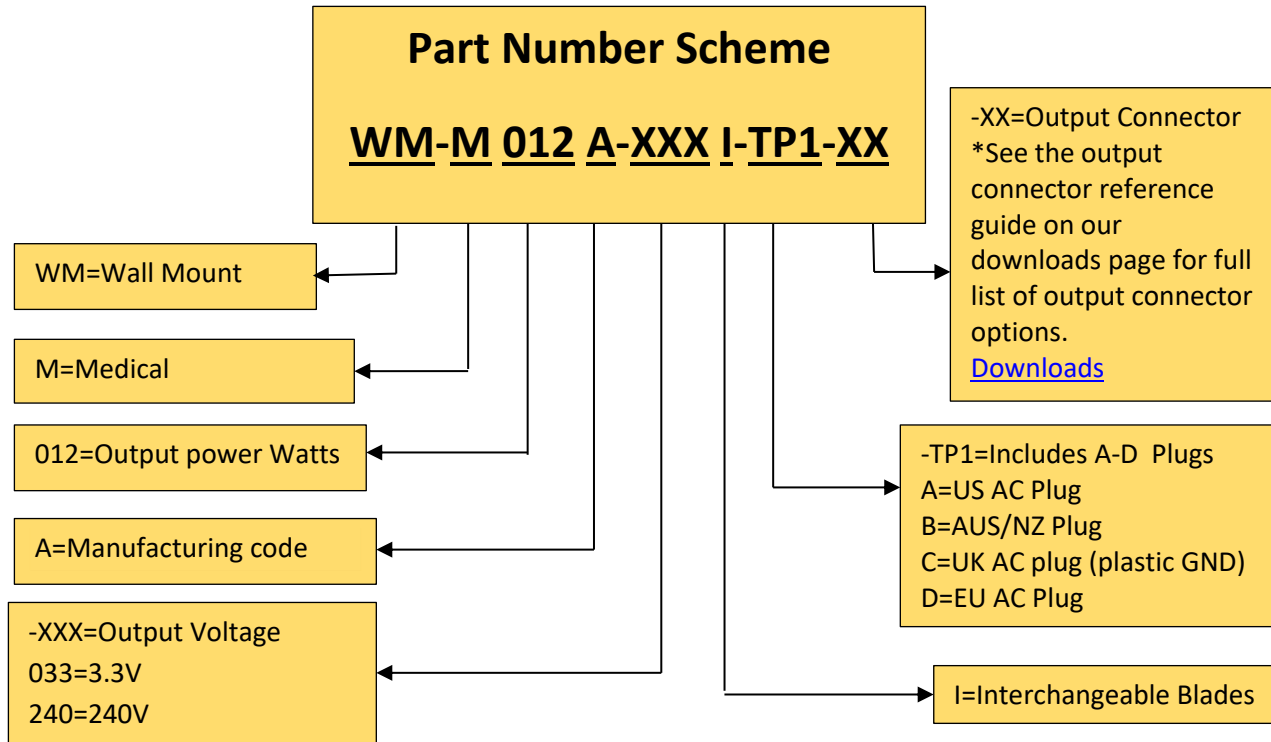
Load Regulation	±5%(Typical)
Ripple	2% Vp-p Max. for Output Voltage @ Full Load
Transient Response	0.5mS for 50% Load Change Typical
Hold-up Time	10mS@ Full Load
Protection	Short Circuit Protection/ Over Voltage protection/ Over Current Protection
DC Cord	24AWG
Dielectric Withstand	4000Vac Primary- Secondary
Leakage Current	<100µA
Efficiency	DoE Level VI, ErP Stage 2, NRCan & GEMS Certified
MTBF	300,000 Calculated Hours at 25°C
Operating Temperature	0 to +40 °C
Storage Temperature	-20 to +80 °C
Relative humidity	Operating: 20 to 80% RH Storage: 10 to 90% RH
Cooling	Natural Convection Cooling
Case Dimensions	US: 81x46x59mm
	AU: 81x46x69mm
	UK: 81x46x72mm
	EU: 81x46x81 mm
Weight	US: 140g, AU: 144g, UK:148g, EU: 145g

■ **Safeties and Compliances**

Safety Approvals	UL/cUL/CE
EMI Conduction and Radiation	Compliance to EN55011 Class B
Harmonic Current	Compliance to EN61000-3-2, 3
EMS Immunity	Compliance to EN61000-4-2,3,4,5,6,8,11

■ **Mechanical Diagram**





***Product images are for illustrative purposes only and may vary from actual design.**

***Specifications are subject to change without notice. Autec is not responsible for issues arising from errors or omissions.**