

■ Features

- Single output from 15-18W
- 100-240Vac Universal Input
- Efficiency Level: VI
- Over Current Protection
- Short Circuit Protection
- LPS Rated Products
- Class II construction
- Fixed AC blades: US, UK, EU, AU, CN
- Case options: Standard/Space saver design upon availability
- Dimension: 74x29x45.5mm(Space saver)



■ Application

- Consumer electronics, Telecom and office equipment
- Industrial equipment

*Product images are for illustrative purposes only and may vary from actual design.

■ Model List

Custom Designs Available!

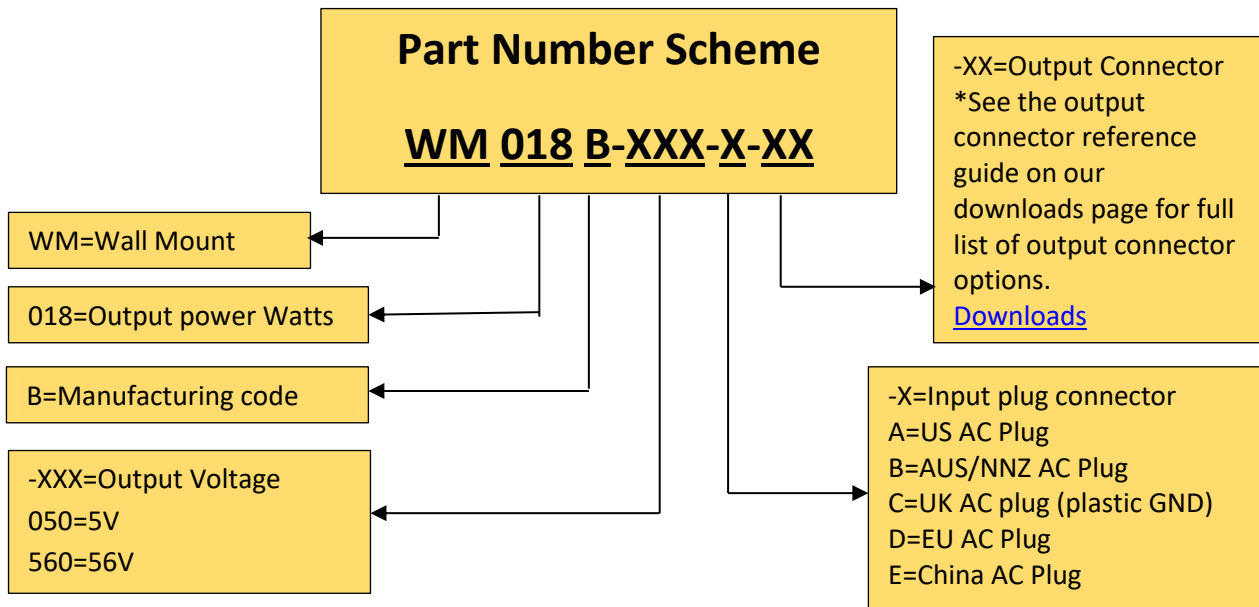
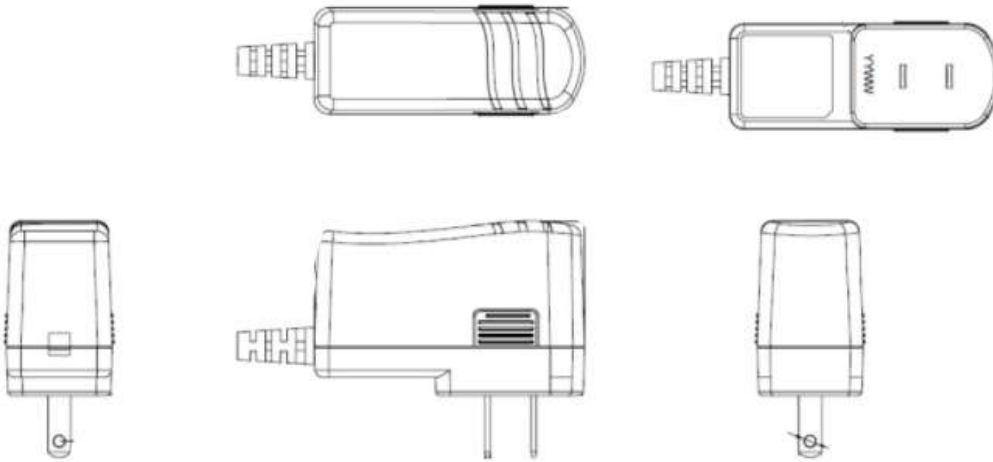
Model	Output Voltage	Output Current	Power	Certifications
WM018B-050-X-XX	5V	3A	15W	UL/cUL
WM018B-090-X-XX	9V	2A	18W	UL/cUL
WM018B-120-X-XX	12V	1.5A	18W	UL/cUL
WM018B-150-X-XX	15V	1.2A	18W	UL/cUL
WM018B-190-X-XX	19V	0.95A	18W	UL/cUL
WM018B-240-X-XX	24V	0.75A	18W	UL/cUL
WM018B-280-X-XX	28V	0.64A	18W	UL/cUL
WM018B-360-X-XX	36V	0.5A	18W	UL/cUL
WM018B-480-X-XX	48V	0.37A	18W	UL/cUL
WM018B-560-X-XX	56V	0.32A	18W	UL/cUL

Technical Sales / Customer Service: +1-818-338-7788 • Email: sales@autec.com

31328 Via Colinas Suite 102 • Westlake Village, CA 91362 USA • www.autec.com

April 19, 2019

■ Mechanical Diagram-Space Saver Design



*Some Safety Agency Approvals may differ from what is shown. Contact Autec Sales!

*Product images are for illustrative purposes only and may vary from actual design.

*Specifications are subject to change without notice. Autec is not responsible for issues arising from errors or omissions.