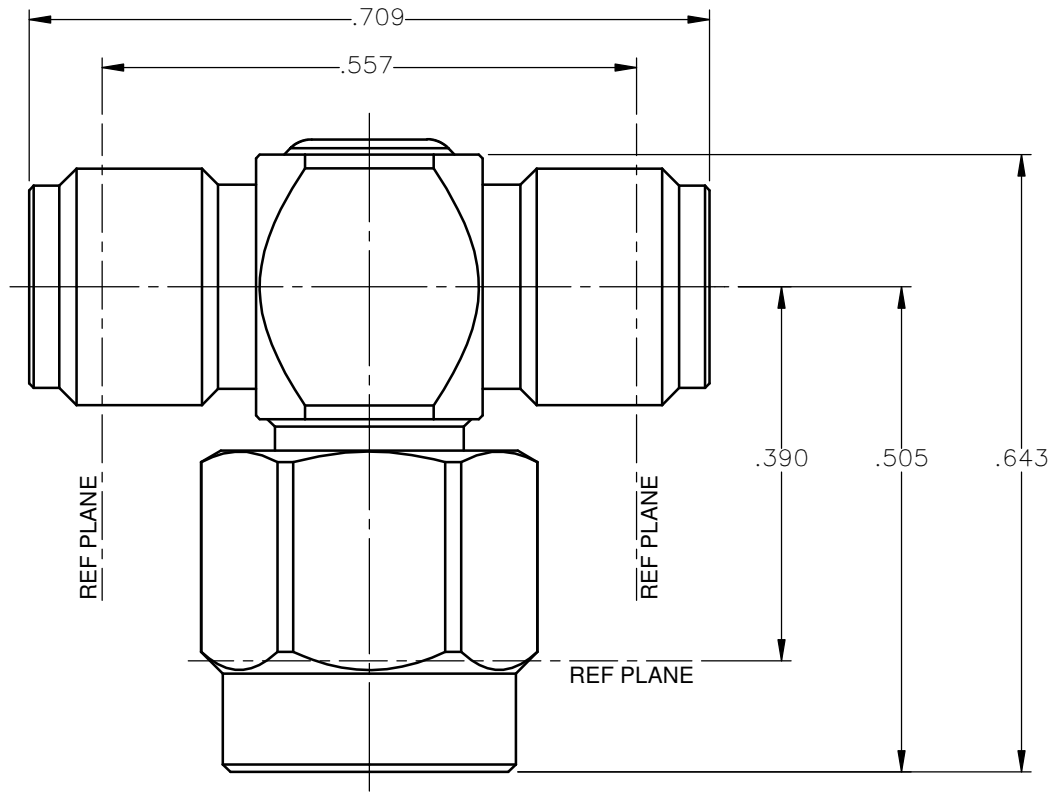
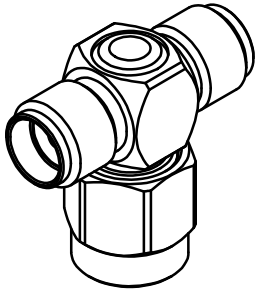


REVISIONS			
REV.	DESCRIPTION	DATE	APPROVED
A	INITIAL RELEASE	01/05/15	D.N.





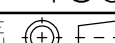
NOTES:

MATERIALS:

1. BODIES & COUPLING NUT = STAINLESS STEEL PER ASTM A582, ALLOY 303, CONDITION "A".
2. INSULATORS = VIRGIN WHITE TEFLON PER ASTM D1710, GRADE 1, TYPE I, CLASS "B".
3. CONTACTS & RETAINING RING = BERYLLIUM COPPER PER ASTM B196, ALLOY C17300, TEMPER TD04.
4. GASKET = SILICONE RUBBER PER ZZ-R-765, CLASS 2B, GRADE 65-75.
5. CAP = BRASS PER ASTM B16, ALLOY C36000, TEMPER H02.

FINISHES:

1. BODIES & COUPLING NUT = GOLD 0.5 OVER NICKEL 2.
2. CONTACTS = GOLD 1.3 OVER NICKEL 2.
3. CAP = GOLD 0.2 OVER NICKEL 2.

UNLESS OTHERWISE SPECIFIED DIMENSIONS ARE IN INCHES TOLERANCES ON	DWN:	DATE		Property of Radiall			
	D.N.	01/05/15		This document cannot be reproduced or communicated to a third party without prior written permission of RADIALL.			
DECIMAL	ANGLE	CHKD:	DATE	SMA JACK TO JACK TO PLUG			
	±2°	J.S.	01/05/15				
REFERENCE:	MATERIALS & FINISHES:	APVD:	DATE	SIZE	FSCM NO.	DWG NO.	REV
ORIGINATED: D.N. DATE: 01/05/15	SEE NOTES	J.M.	01/05/15	A	19505	5905-1503-000	A
				SCALE 5:1	THIRD ANGLE PROJECTION 		SHEET 1 OF 1

5905-1503-000