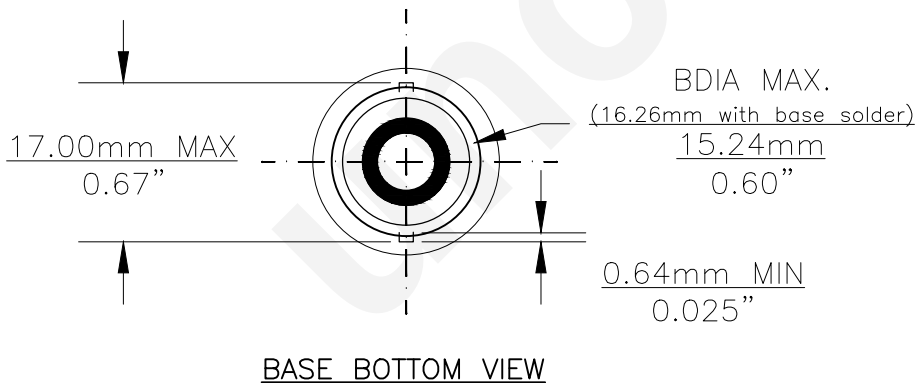
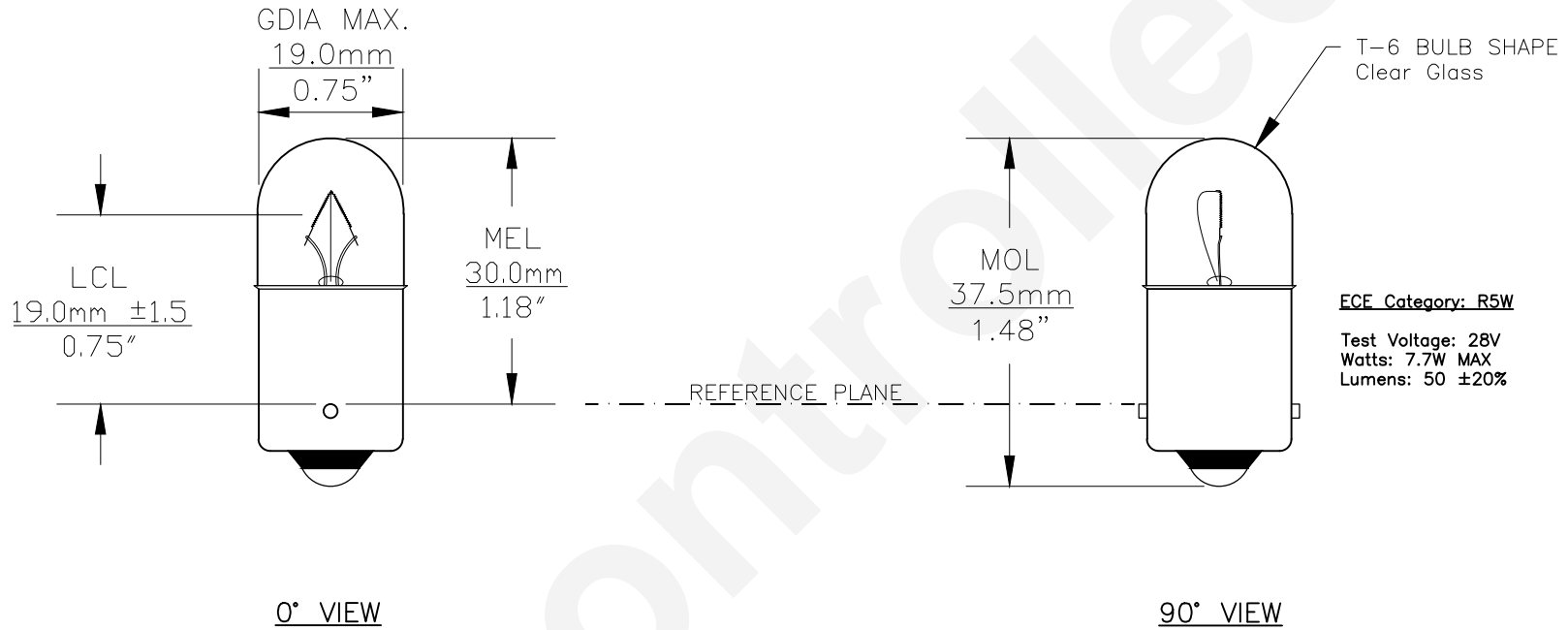




PART NO.	BASE TYPE	DESIGN VOLTS	DESIGN AMPS	MSCD	FILAMENT TYPE	AVERAGE LIFE HOURS	REVISIONS			
							REV #	DESCRIPTION	DATE	APPROVED
5627	S.C. BAYONET (BA15s)	24.0V	0.2±10%	4.0±20%	C-6	200	1	ISSUED	09/11/2009	D.C.
							2	REDRAWN FOR ADDITIONAL VIEWS	09/04/2014	R.M.



Note: Made according to ECE/R37 specifications

UNLESS OTHERWISE SPECIFIED: DIMENSIONS ARE IN INCHES TOLERANCES		CEC INDUSTRIES LTD	
DECIMALS .XX ± .05	ANGULAR .XXX ± .010	599 BOND STREET	LINCOLNSHIRE, IL 60069
FRACTIONAL ±1/64		TITLE LIGHT BULB NO. 5627 (R5W 24V 5W)	
DRAWN D. C.	DATE 09/11/2009	SIZE A	FSCM NO. 5627
CHECKED		DWG NO. 5627	REV 3
DESIGN	SCALE	PLOT SCALE	SHEET 1 OF 1
MATERIAL	FILE 5627.pdf	DRAWING NOT TO SCALE	