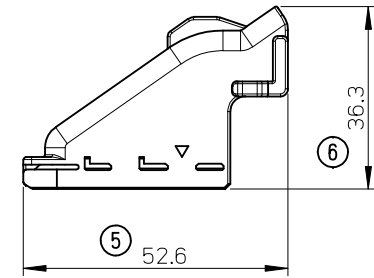
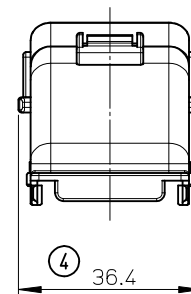
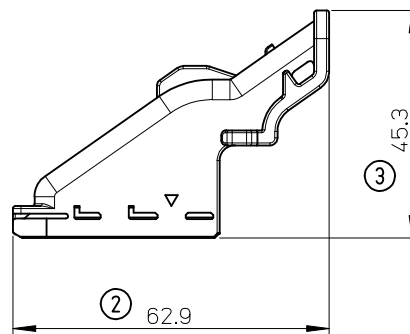
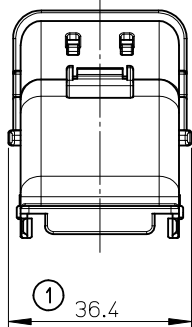
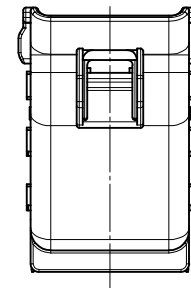
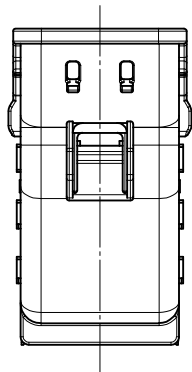


10 9 8 7 6 5 4 3 2 1



LONG TYPE
560190-0111

SHORT TYPE
560190-0101

NOTES

1. GENERAL TOLERANCES
 $<10: \pm 0.3$
 $10 \leq <30: \pm 0.4$
 $30 \leq : \pm 0.5$
 ANGULAR : $\pm 5^\circ$
2. APPLICABLE CONNECTOR
 560153, 560154 SERIES
3. MATERIAL: PA, UNFILLED
4. COLOR: BLACK
5. ELV & RoHS COMPLIANT

REVISED EC NO: JTR2016-0083 DRWN:SHSHIBATA 2016/03/24 CHKD:HKOMATSU 2016/03/30 APPR:MAYAMAMOTO 2016/03/30	DESCRIPTION REV	QUALITY SYMBOLS	GENERAL TOLERANCES (UNLESS SPECIFIED)	DIMENSION STYLE	SCALE	DESIGN UNITS	THIRD ANGLE PROJECTION																		
		$\nabla_{\sqrt{A}}=0$ $\nabla_{\sqrt{C}}=0$ $\nabla_{\sqrt{P}}=0$	<table border="1"> <thead> <tr> <th></th> <th>mm</th> <th>INCH</th> </tr> </thead> <tbody> <tr> <td>4 PLACES</td> <td>\pm---</td> <td>\pm---</td> </tr> <tr> <td>3 PLACES</td> <td>\pm---</td> <td>\pm---</td> </tr> <tr> <td>2 PLACES</td> <td>\pm---</td> <td>\pm---</td> </tr> <tr> <td>1 PLACE</td> <td>\pm---</td> <td>\pm---</td> </tr> <tr> <td>0 PLACE</td> <td>\pm---</td> <td>\pm---</td> </tr> </tbody> </table>		mm	INCH	4 PLACES	\pm ---	\pm ---	3 PLACES	\pm ---	\pm ---	2 PLACES	\pm ---	\pm ---	1 PLACE	\pm ---	\pm ---	0 PLACE	\pm ---	\pm ---	MM ONLY	1:1	METRIC	
			mm	INCH																					
		4 PLACES	\pm ---	\pm ---																					
3 PLACES	\pm ---	\pm ---																							
2 PLACES	\pm ---	\pm ---																							
1 PLACE	\pm ---	\pm ---																							
0 PLACE	\pm ---	\pm ---																							
DRAFT WHERE APPLICABLE MUST REMAIN WITHIN DIMENSIONS	<table border="1"> <thead> <tr> <th>DRAWN BY</th> <th>DATE</th> <th>TITLE</th> </tr> </thead> <tbody> <tr> <td>SHSHIBATA</td> <td>2014/06/24</td> <td rowspan="2">WIRE DRESS COVER FOR COMPACTUS</td> </tr> <tr> <td>HKOMATSU</td> <td>2014/06/24</td> </tr> <tr> <td>MAYAMAMOTO</td> <td>2015/11/12</td> <td></td> </tr> </tbody> </table>	DRAWN BY	DATE	TITLE	SHSHIBATA	2014/06/24	WIRE DRESS COVER FOR COMPACTUS	HKOMATSU	2014/06/24	MAYAMAMOTO	2015/11/12		MATERIAL NO. --- DOCUMENT NO. SD-560190-001 SHEET NO. 1 OF 1												
DRAWN BY	DATE	TITLE																							
SHSHIBATA	2014/06/24	WIRE DRESS COVER FOR COMPACTUS																							
HKOMATSU	2014/06/24																								
MAYAMAMOTO	2015/11/12																								
SIZE A3 THIS DRAWING CONTAINS INFORMATION THAT IS PROPRIETARY TO MOLEX INCORPORATED AND SHOULD NOT BE USED WITHOUT WRITTEN PERMISSION																									

9 8 7 6 5 4 3 2 1