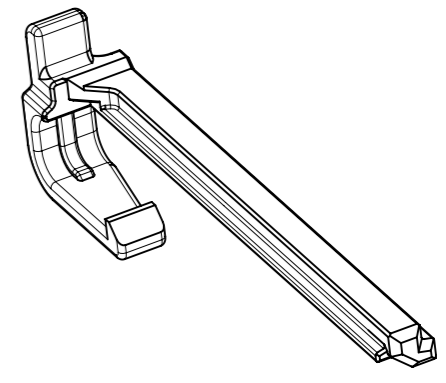
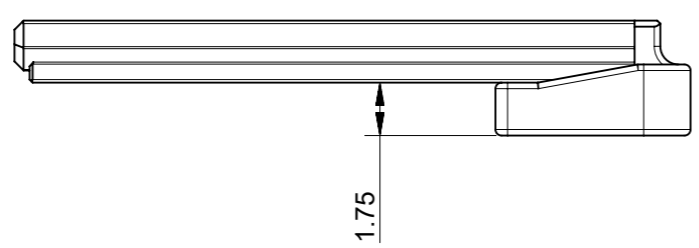
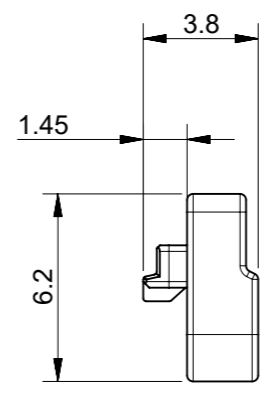
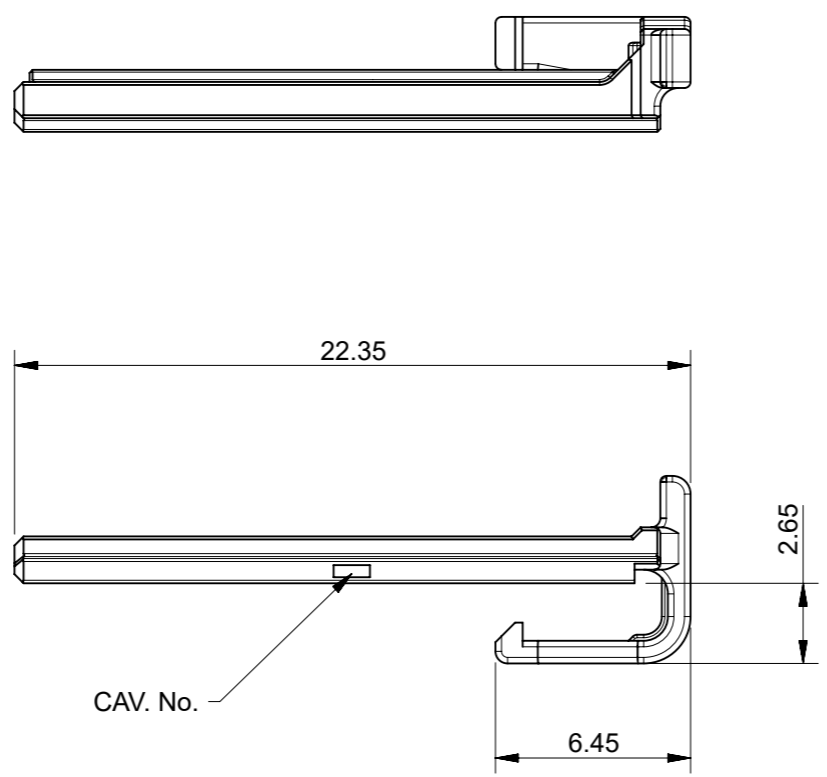
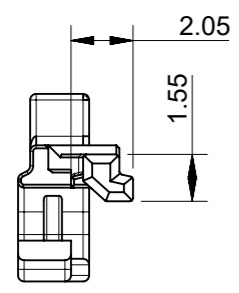


GENERAL TOLERANCE										USED ON
10 MAX	30 MAX	50 MAX	70 MAX	100 MAX	120 MAX	250 MAX	250 OVER	ANGLE	ECCENT	
±0.15	±0.20	±0.30	±0.40	±0.50	±0.75	±0.90	±1.4	±0.5°	0.1	



ISO VIEW



MATERIAL NUMBER

ORDER NO.	MATERIAL NO.	COLOR
560125-1000	5601251000	GRAY

NOTES:

1. MATERIALS : POLYESTER (PBT)-GF17, UL94 V-0
2. APPLICABLE HOUSING : 560123 SERIES
3. GENERAL TOLERANCE : SEE TABLE
4. EVL AND RoHS COMPLIANT
5. PRODUCT SPECIFICATION : PS-560123-00*
6. PACKING SPECIFICATION : PK-560125-001

FUNCTIONAL SYMBOLS	THIS DRAWING CONTAINS INFORMATION THAT IS PROPRIETARY TO MOLEX ELECTRONIC TECHNOLOGIES, LLC AND SHOULD NOT BE USED WITHOUT WRITTEN PERMISSION		CURRENT REV DESC: DRAWING REMASTERED	
	△/A = 0	mm	4:1	
DIVISIONAL SYMBOLS	GENERAL TOLERANCES (UNLESS SPECIFIED)		EC NO: 641821	
	ANGULAR TOL ± 1.0°		DRWN: SAKIM 2020/07/17	
	4 PLACES ±	CHK'D: TOSADA 2020/07/27		PRODUCT CUSTOMER DRAWING
	3 PLACES ±	APPR: TOSADA 2020/07/27		
	2 PLACES ±	INITIAL REVISION:		DOCUMENT NUMBER
	1 PLACE ±	DRWN: JKSEO01 2015/07/13		SD-560125-006
0 PLACES ±	APPR: JYCHOI 2015/08/03		DOC TYPE DOC PART REVISION	
DRAFT WHERE APPLICABLE MUST REMAIN WITHIN DIMENSIONS		THIRD ANGLE PROJECTION	DRAWING	SHEET NUMBER
			A3-SIZE	1 OF 1
		SERIES	MATERIAL NUMBER	CUSTOMER
		560125	5601251000	GENERAL MARKET



NEW 2.0 PITCH W/B CONN.
REC. 10WAY ISL DURACLIC ISL SERIES