

DRAWING MADE IN THIRD ANGLE PROJECTION

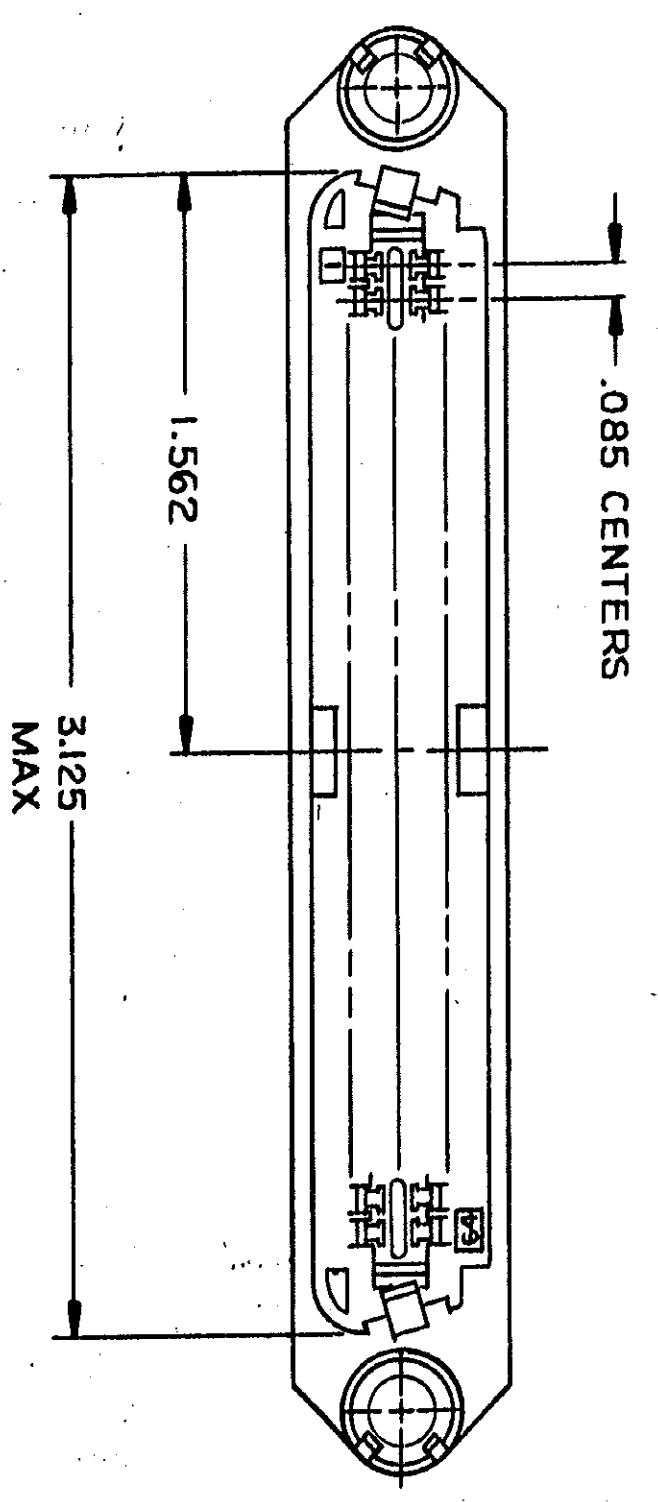
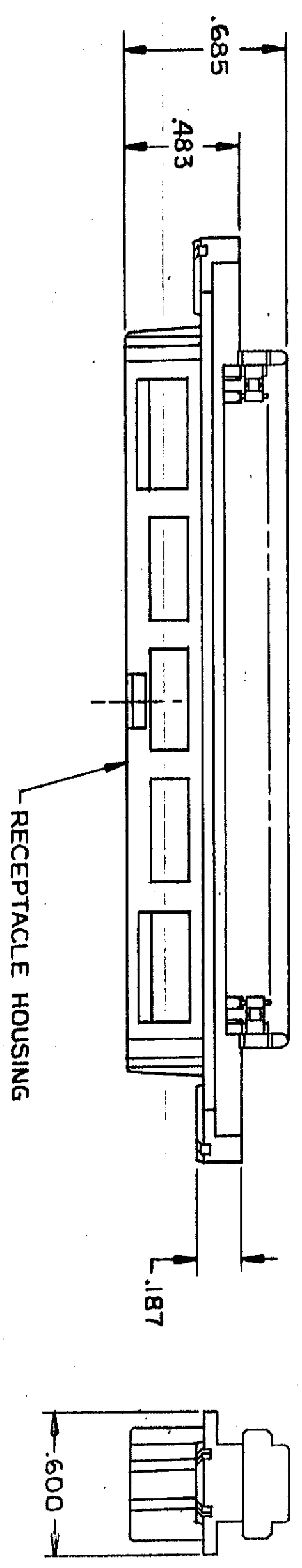
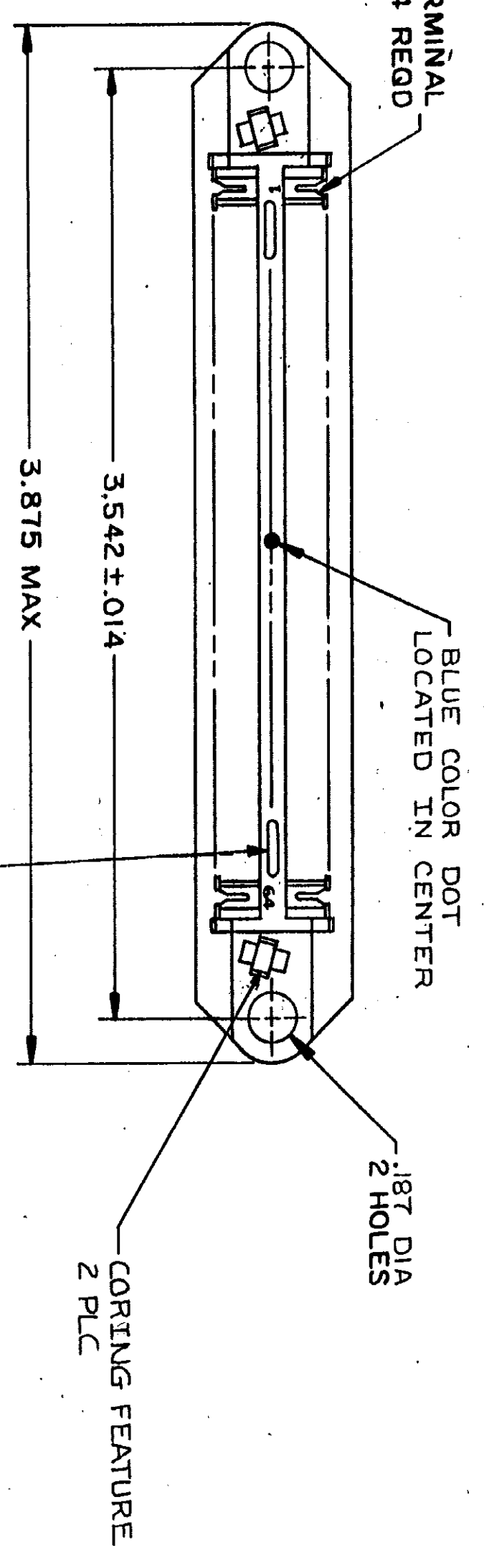
© COPYRIGHT 1974 BY AMP INCORPORATED, HARRISBURG, PA. ALL INTERNATIONAL RIGHTS RESERVED. AMP INCORPORATED PRODUCTS COVERED BY U. S. AND FOREIGN PATENTS AND/OR PATENTS PENDING.

3

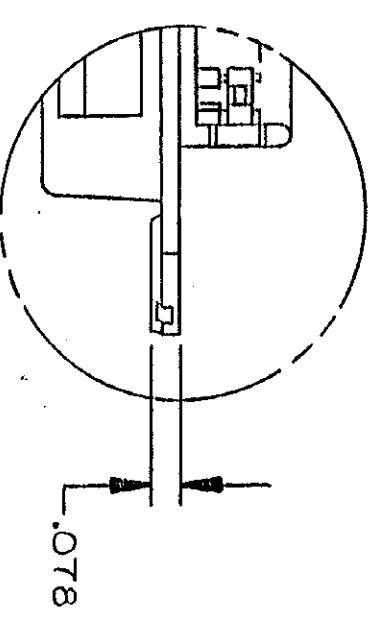
2

1

REVOLUTIONS		DATE	APPROVED
P	F	01-88	PC
ZONE	LTR	DESCRIPTION	
H	H	DRS-1; PER ECN AA-4550	



1. THE CONTACT SURFACES OF THE TERMINALS ARE COATED WITH LUBRICANT.
2. ALL DIMENSIONS SHOWN ARE FOR REFERENCE ONLY UNLESS OTHERWISE SPECIFIED. (BLACK) MATERIAL: HOUSING - THERMOPLASTIC (BLACK) TERMINALS - GOLD OVER NICKEL PLATED HIGH STRENGTH COPPER ALLOY
3. WIRE SIZE: 24#26 AWG SOLID 24 AWG 7 STRAIDS OF COPPER CONDUCTORS. MAX INSULATION DIAMETER OF .045 IS ACCEPTABLE FOR MOST APPLICATIONS.
4. WIRE SIZE: 24#26 AWG SOLID 24 AWG 7 STRAIDS OF COPPER CONDUCTORS. MAX INSULATION DIAMETER OF .045 IS ACCEPTABLE FOR MOST APPLICATIONS.



SAME AS THICK FLANGE EXCEPT AS SHOWN & MINUS CORING FEATURE

THIN FLANGE	2-552277-1
THICK FLANGE	552277-1
DESCRIPTION	PART NO

ASSY, RCPT, 64 POSN, B SLOT (CHAMP-LOK, W/.187 DIA HOLES)

UNLESS OTHERWISE SPECIFIED DIMENSIONS ARE IN INCHES. TOLERANCES ON: DECIMALS ± # ANGLES ± #	
MATERIAL	FINISH
CONTRACT NO	2-11-80
DR	2-11-80
CHK	2/12/80
APPD	2/12/80
APPD	
DSGN APPD	
OTHER APPD	
NAME	AMP INCORPORATED Harrisburg, Pa.
SIZE (CODE IDENT NO) DRAWING NO	552277
SCALE	2/1
SHEET	1 OF 1

AMP 1471-6 (7-73)

CUSTOMER DRAWING

552277