

参考基板レイアウト (マウント面)  
 RECOMMENDED P.C.BOARD  
 PATTERN DIMENSION. (REF.)  
 (MOUNTING AREA)

- 補強金具 : 錫メッキ  
 FITTING NAIL : TIN 1.0 MICROMETER MINIMUM  
 補強金具下地メッキ : ニッケルメッキ  
 UNDER PLATING : NICKEL (FITTING NAIL)  
 1.0 MICROMETER MINIMUM
- ⊕ (全極数/2) = 偶数の場合に適用。  
 APPLY FOR (CIRCUIT/2)=EVEN.  
 4 嵌合相手 : 53949 シリーズ  
 MATE WITH : 53949 SERIES.  
 5 テール及びネールの平坦度は、0.1MAX.  
 TAIL AND NAIL COPLANARITY TO BE 0.1MAX.  
 ⚠ テール部に適用。  
 APPLY TO THE TAIL AREA.  
 ⚠ ネール部に適用。  
 APPLY TO THE NAIL AREA.  
 8 本製品は 54150-\*\*\*1 の鉛フリー品である。  
 THIS PRODUCT IS LEAD FREE OF 54150-\*\*\*1.  
 9. ELV及びRoHS適合品。  
 ELV AND RoHS COMPLIANT.

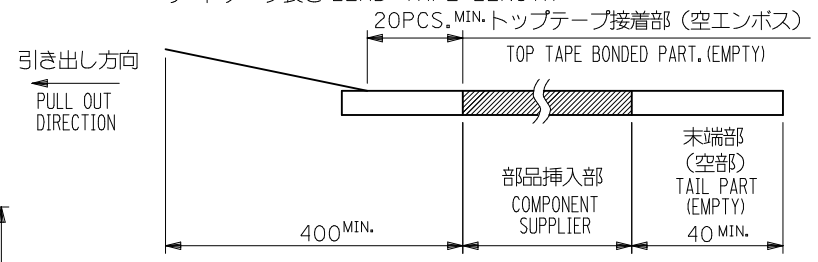
注記 NOTES:  
 1 使用材料 MATERIAL  
 ハウジング : LCP ガラス充填 UL94V-0 (黒)  
 HOUSING : LCP (GLASS FILLED) UL94V-0 (COLOR:BLACK)  
 ターミナル : リン青銅 (t=0.15)  
 TERMINAL : PHOSPHOR BRONZE (t=0.15)  
 補強金具 : リン青銅 (t=0.2)  
 FITTING NAIL : PHOSPHOR BRONZE (t=0.2)  
 2 メッキ仕様 PLATING  
 コンタクト部 : 金メッキ  
 CONTACT AREA : GOLD  
 テール部 : 金メッキ  
 TAIL AREA : GOLD  
 0.25 MICROMETER MINIMUM  
 0.4 MICROMETER MAXIMUM  
 ターミナル部下地メッキ : ニッケルメッキ  
 UNDER PLATING : NICKEL (TERMINAL AREA)  
 1.5 MICROMETER MINIMUM

20.5	19.5	23.9	54150-0878	80
C	B	A	EMBOSSED TAPE	CIRCUIT
			ORDER No. オーダー番号	
			CONNECTOR No. 54150-**71	

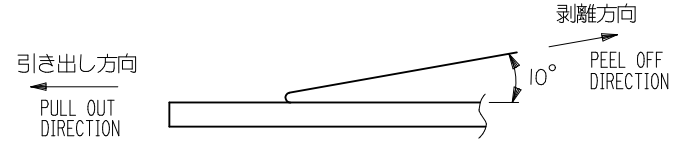
REVISED EC NO. J2010-1976 DRWN: MWABEI 2008/07/10 CHKD: HATSUMOTO 2010/06/17 APPR: HIRATA 2010/06/18	DESCRIPTION	GENERAL TOLERANCES (UNLESS SPECIFIED)		DIMENSION STYLE MM ONLY		SCALE ---	DESIGN UNITS METRIC	THIRD ANGLE PROJECTION	
		10 UNDER	±0.2	DRAWN BY H. KAWABATA	DATE '04/03/03	TITLE 0.5 B-TO-B REC HSG ASSY WITH FITTING NAIL			
		10 OVER 30 UNDER	±0.25	CHECKED BY K. TOJO	DATE '04/03/03	MOLEX INCORPORATED			
		30 OVER	±0.3	APPROVED BY M. SASAO	DATE '04/03/03	DOCUMENT NO. SD-54150-001			
A	REV	ANGULAR ±3 ° DRAFT WHERE APPLICABLE MUST REMAIN WITHIN DIMENSIONS		MATERIAL NO. SEE TABLE		SHEET NO. 1 OF 1		THIS DRAWING CONTAINS INFORMATION THAT IS PROPRIETARY TO MOLEX INCORPORATED AND SHOULD NOT BE USED WITHOUT WRITTEN PERMISSION	

NOTES

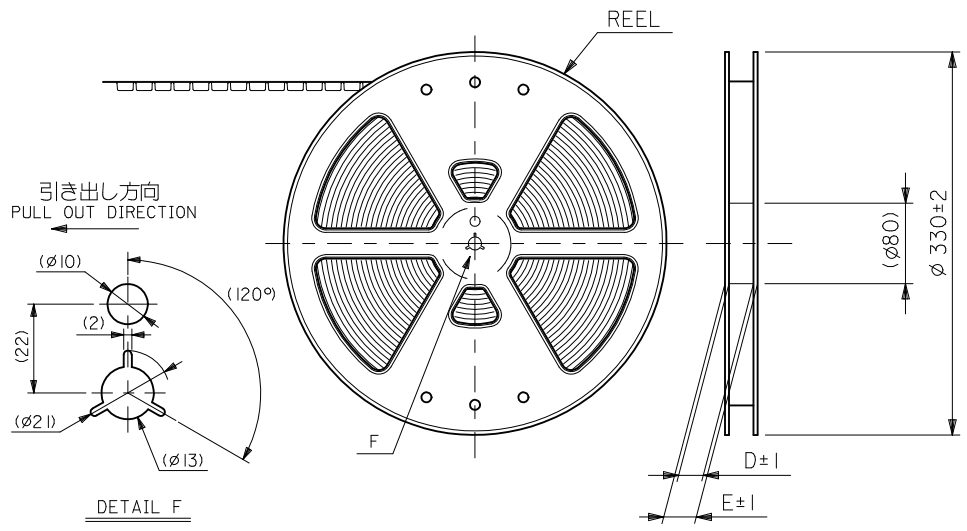
- 製品詳細寸法については図面 SD-54150-001 を参照下さい。  
RE DETAILED DIMENSION, SEE SD-54150-001.
- 梱包数量：3000個/リール  
NUMBER OF CONNECTORS : 3000PCS/REEL
- リードテープ長さ LEAD TAPE LENGTH



- トップテープの剥離強度：0.1～1.3N {10～130gf}  
(剥離方向は下図参照)  
尚、本規格値は出荷時に適用。(但し、輸送時に剥離が発生しないこと。)  
PEELING OFF FORCE OF TOP TAPE : 0.1～1.3N {10～130gf}  
(PEELING DIRECTION AS SHOWN IN FOLLOWING FIG.)  
THIS REQUIREMENT SHOULD BE APPLIED AT SHIPMENT.  
PEEL OFF SHOULD NOT BE ALLOWED , DURING TRANSPORTATION.

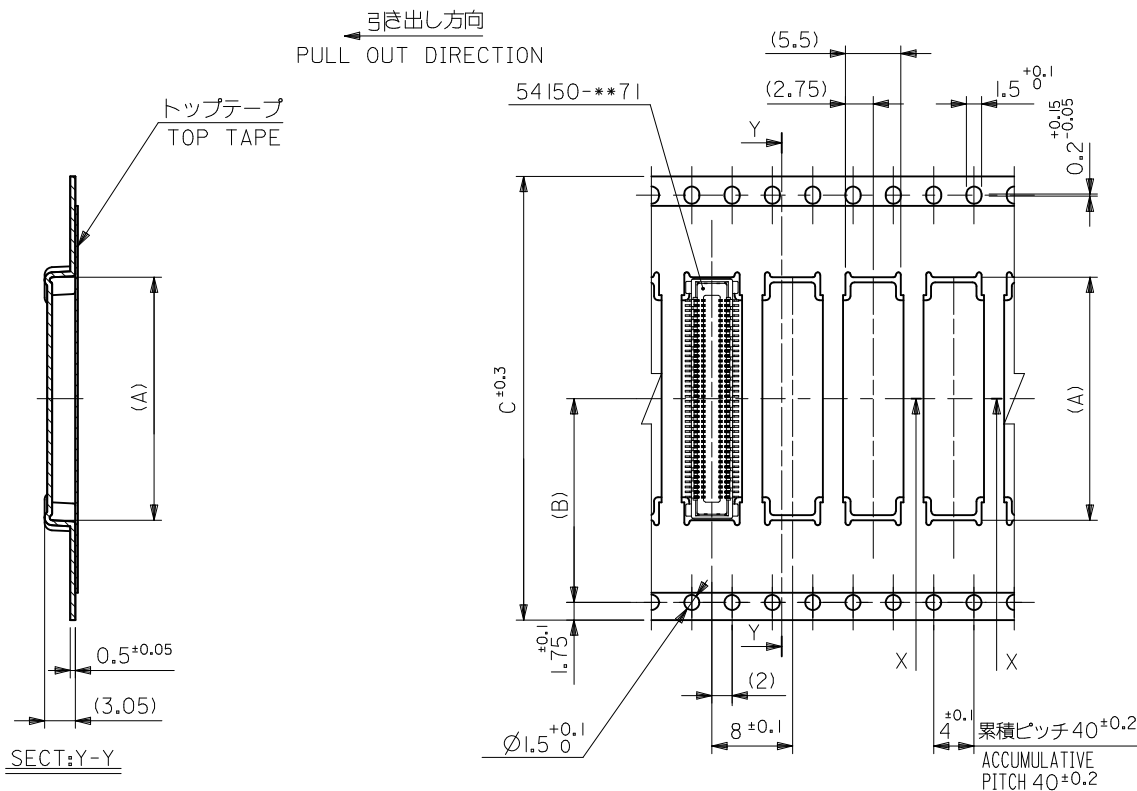


- 材料 (MATERIAL)  
キャリアテープ (CARRIER TAPE) : ポリプロピレン (POLYPROPYLENE (PP))  
トップテープ (TOP TAPE) : PET, PE, PEF  
リール (REEL) : ポリスチレン (P.S) (POLYSTYRENE (PS))  
リサイクル材を含む (RECYCLE MATERIAL CONTAINED)
- 本製品は 54150-\*\*\*8 の鉛フリー品である。  
THIS PRODUCT IS LEAD FREE OF 54150-\*\*\*8.



MODEL NO. 54150-\*\*\*78

REVISED EC NO: J2010-1271 DRWN: ASUZUKI 2010/05/24 CHKD: HIRATA 2010/05/24 APPR: HIRATA 2010/06/16 REV A	GENERAL TOLERANCES (UNLESS SPECIFIED)		DIMENSION STYLE MM ONLY		SCALE ---	DESIGN UNITS METRIC	THIRD ANGLE PROJECTION		
	10 UNDER	± ---	DRAWN BY	DATE	TITLE 0.5 B-TO-B CONN REC HSG ASSY W/ NAIL EMBSTP PKG				
	10 OVER 30 UNDER	± ---	CHECKED BY	DATE					
	30 OVER	± ---	APPROVED BY	DATE					
	ANGULAR ± --- °		MATERIAL NO.		DOCUMENT NO.		SHEET NO.		
DRAFT WHERE APPLICABLE MUST REMAIN WITHIN DIMENSIONS		SEE TABLE		SD-54150-002		1 OF 2			
THIS DRAWING CONTAINS INFORMATION THAT IS PROPRIETARY TO MOLEX INCORPORATED AND SHOULD NOT BE USED WITHOUT WRITTEN PERMISSION								A3	



44mm幅キャリアテープ  
44mm WIDTH CARRIER TAPE

54150-***78	44	49.4	45.4	44	20.2	24.1	54150-0878	80
MODEL NO.	キャリアテープ幅 CARRIER TAPE WIDTH	E	D	C	(B)	(A)	MATERIAL NO.	極数 CIRCUIT

REVISED EC NO: J2010-1271 DRWN:ASUZUKI01 CHKD:HIRATA APPR:HIRATA 2010/06/02 2010/06/02 2010/06/16	GENERAL TOLERANCES (UNLESS SPECIFIED)		DIMENSION STYLE MM ONLY		SCALE ---	DESIGN UNITS METRIC		THIRD ANGLE PROJECTION	
	10 UNDER	±---	DRAWN BY _____ DATE _____		TITLE 0.5 B TO B CONN REC HSG ASSY W/ NAIL EMBSTP PKG MOLEX INCORPORATED SEE TABLE SD-54150-002				
	10 OVER 30 UNDER	±---	CHECKED BY _____ DATE _____						
	30 OVER	±---	APPROVED BY _____ DATE _____						
ANGULAR ±--- °		MATERIAL NO.		DOCUMENT NO.		SHEET NO.			
DRAFT WHERE APPLICABLE MUST REMAIN WITHIN DIMENSIONS		SIZE A3		THIS DRAWING CONTAINS INFORMATION THAT IS PROPRIETARY TO MOLEX INCORPORATED AND SHOULD NOT BE USED WITHOUT WRITTEN PERMISSION					