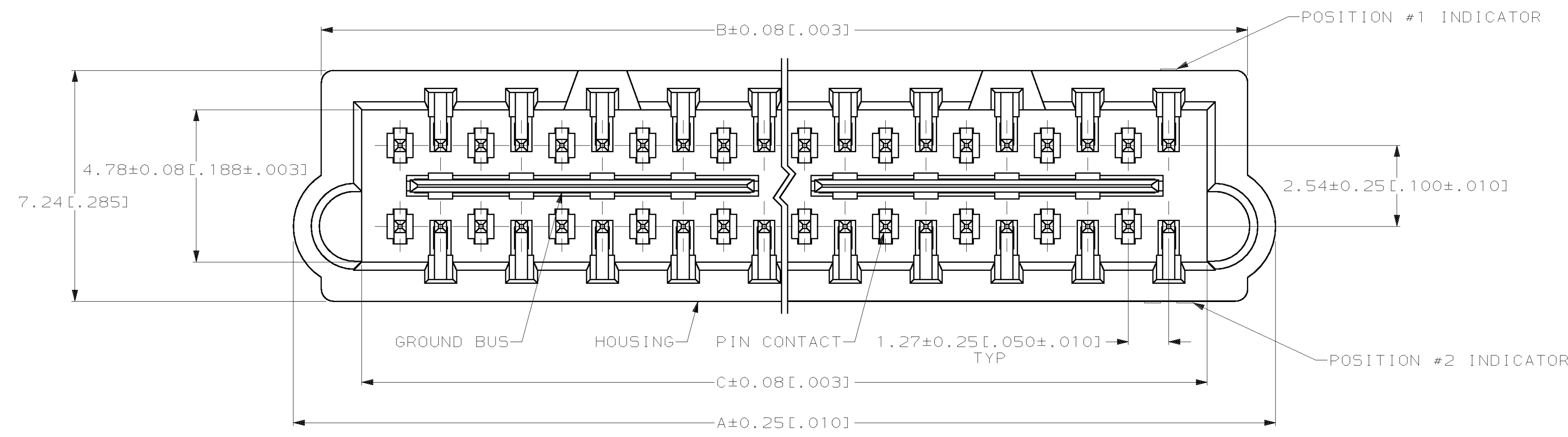
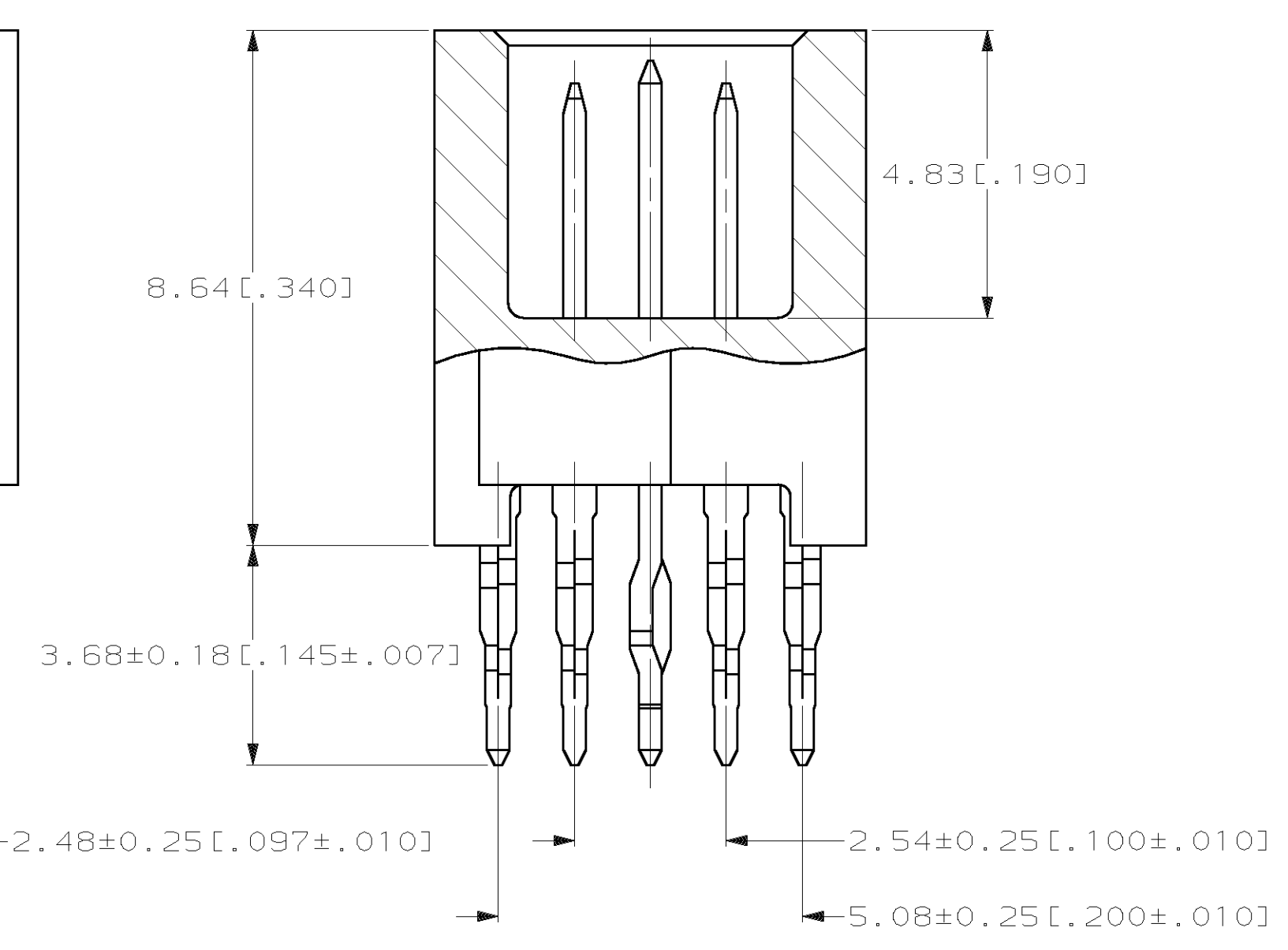
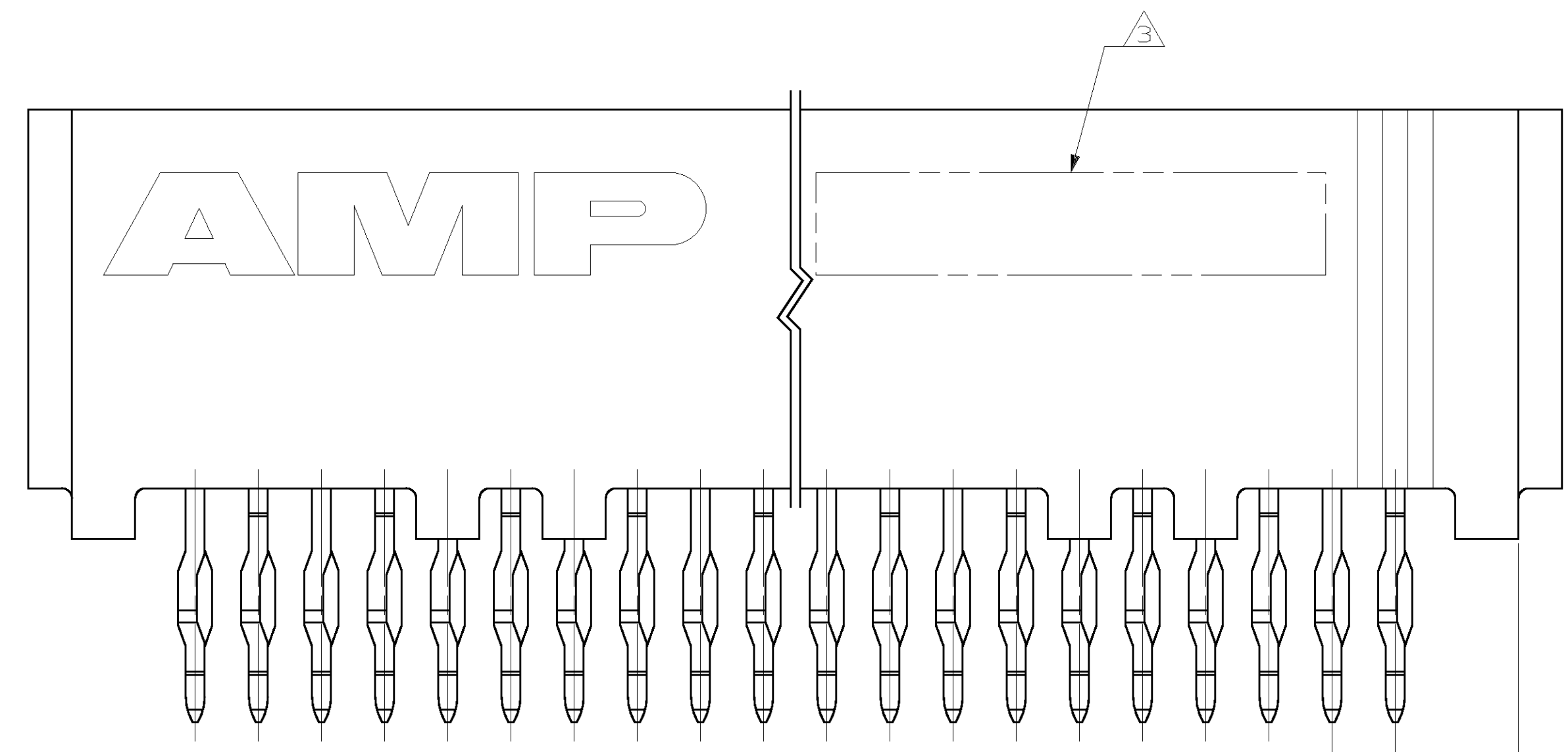


LOC		DIST		REVISONS		DATE	APPD
AD	47	P	F	ZONE	LTR	DESCRIPTION	
				M		REVISED PER 0512-0476-02	21FEB03 DRD

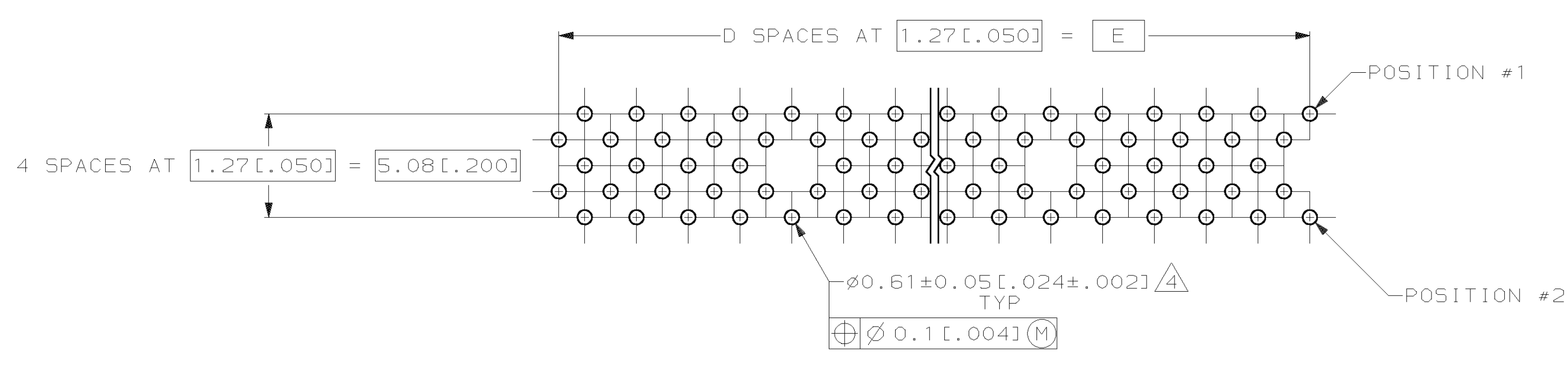


- △ HOUSING: HIGH TEMPERATURE THERMOPLASTIC, COLOR NATURAL.
 PIN CONTACTS: PHOSPHOR BRONZE.
 GROUND BUSSES: PHOSPHOR BRONZE.
- △ PIN CONTACTS: 0.00076[.000030] MIN GOLD IN CONTACT AREA,
 0.00063-0.00191[.000025-.000075] TIN-LEAD ON SOLDER TAIL,
 ALL OVER 0.00127-0.00254[.000050-.000100] NICKEL ON ENTIRE CONTACT.
- △ GROUND BUSSES: 0.00076[.000030] MIN GOLD IN CONTACT AREA,
 0.00063-0.00191[.000025-.000075] TIN-LEAD ON SOLDER TAIL,
 ALL OVER 0.00127-0.00254[.000050-.000100] NICKEL ON ENTIRE BUS.
- △ DATE CODE MARKED IN AREA INDICATED.
- △ 0.701[.0276] DIA HOLE, PLATE WITH 0.0076-0.0254[.00030-.00100] TIN-LEAD OVER 0.025-0.038[.0010-.0015] COPPER,
 0.61±0.05[.024±.002] DIA HOLE AFTER PLATING.

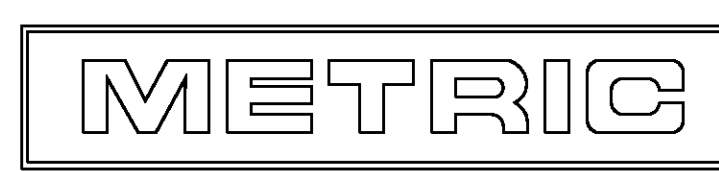


1.27±0.25 [.050±.010] TYP
 2.48±0.25 [.097±.010]

OBSELETE	151.13[5.950]	119	153.62[6.048]	156.08[6.145]	157.84[6.214]	240	1-536274-1
OBSELETE	138.43[5.450]	109	140.92[5.548]	143.48[5.645]	145.14[5.714]	220	1-536274-0
OBSELETE	125.73[4.950]	99	128.22[5.048]	130.68[5.145]	132.44[5.214]	200	536274-9
	113.03[4.450]	89	115.52[4.548]	117.98[4.645]	119.74[4.714]	180	536274-8
	100.33[3.950]	79	102.82[4.048]	105.28[4.145]	107.04[4.214]	160	536274-7
	87.63[3.450]	69	90.12[3.548]	92.58[3.645]	94.34[3.714]	140	536274-6
	74.93[2.950]	59	77.42[3.048]	79.88[3.145]	81.64[3.214]	120	536274-5
	62.23[2.450]	49	64.72[2.548]	67.18[2.645]	68.94[2.714]	100	536274-4
	49.53[1.950]	39	52.02[2.048]	54.48[2.145]	56.24[2.214]	80	536274-3
	36.83[1.450]	29	39.32[1.548]	41.78[1.645]	43.54[1.714]	60	536274-2
OBSELETE	24.13[.950]	19	26.62[1.048]	29.08[1.145]	30.84[1.214]	40	536274-1
	E	D	C	B	A	NO OF POS	PART NUMBER



RECOMMENDED PC BOARD HOLE LAYOUT
 (VIEWED FROM CONNECTOR SIDE)
 SCALE 5:1



DO NOT SCALE PRINT. UNLESS SPECIFIED DIMENSIONS IN mm [INCHES] TOLERANCES ON: 2 PLC DEC ± 3 PLC DEC ± 0.13 [.005] ANGLES ± -	DR 2-12-92 J.GERACE CHK 2-12-92 J.GERACE APPD 2-12-92 D.SINISI APPD 2-12-92 C.LINDGREN	AMP AMP Incorporated Harrisburg, PA 17105-3608	
MATERIAL	PRODUCT SPEC 108-1272	NAME PLUG ASSEMBLY, 10.92[.430] STACK, 3.68[.145] ACTION PIN TAIL, BOARD TO BOARD, MICRO-STRIP	
FINISH	APPLICATION SPEC 114-11005	SIZE D 00779	DRAWING NO 536274
WEIGHT		SCALE 10:1	SHEET 1 OF 1