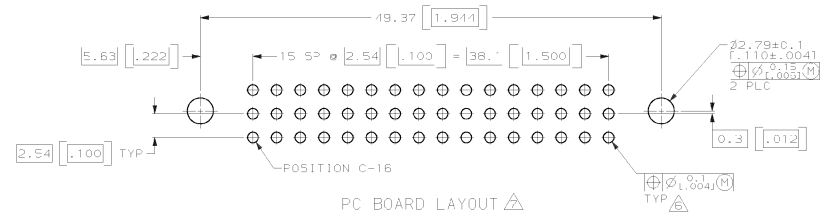
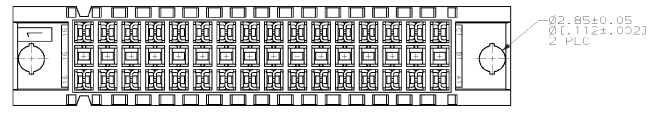
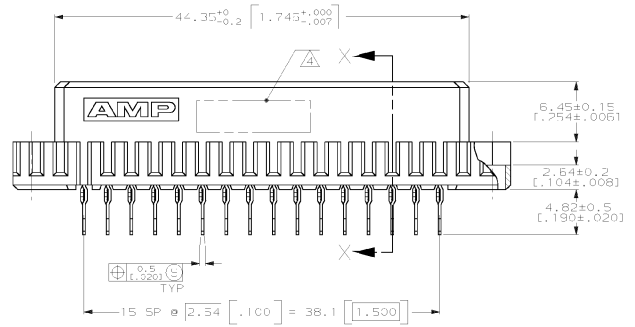
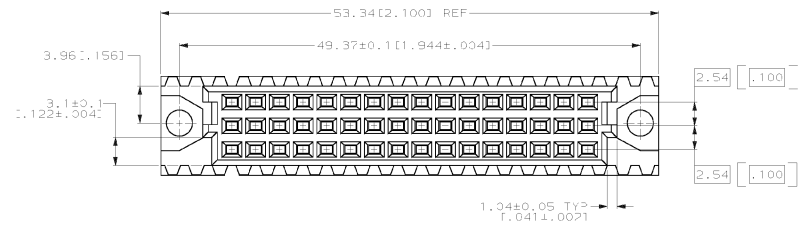
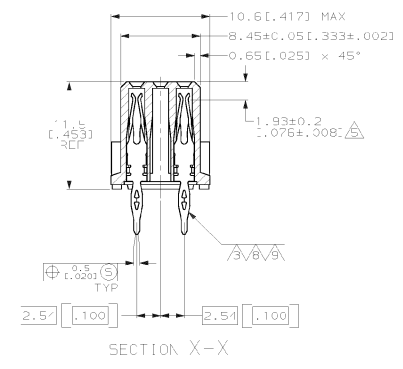


REV. NO.		DATE		ZONE		LTY		REVISIONS		DATE	APPROV.
AD	25							DESCRIPTION			
								H	REACTIVATED -4 PER EC Q018-0258-00	10 SEP 88	CR
								J	REV PER EC Q018-3367-00	24 JAN 90	CR
								K	REV PER EC 0512-0016-03	1 FEB 93	AS



- △ HOUSING MATERIAL: GLASS-FILLED POLYESTER. COLOR: GRAY.
- △ CONTACT MATERIAL: PHOSPHOR BRONZE.
- △ CONTACT FINISH: 0.00076(0.00030) GOLD IN CONTACT AREA. 0.0027(0.00050) NICKEL UNDERPLATE ALL OVER. TIN-LEAD ON TAILS.
- △ PART NUMBER, DATE CODE IDENTIFICATION, CSA LOGO IN THIS APPROXIMATE AREA.
- △ POINT OF MEASUREMENT FOR GOLD.
- △ ACTION PIN POSTS REQUIRE 1.57(.62) MIN THICK PCB BOARD. RECOMMENDED PCB BOARD HOLES ARE Ø.15±0.2(1.045±.001) DRILLED HOLE WITH 0.2-0.07(.001-.003) COPPER AND 0.08(1.000) MIN TIN-LEAD PLATING. FINISHED HOLE AFTER PLATING, Ø.094-1.05(.037-.433).
- △ CENTER ROW OF PLATED THRU HOLES NOT REQUIRED FOR THIS CONNECTOR LOAD PATTERN.
- △ CONTACT FINISH: DIN 41612 CLASS 3 IN CONTACT AREA. 0.0027(0.00050) NICKEL UNDERPLATE ALL OVER. TIN-LEAD ON TAILS.
- △ CONTACT FINISH: DIN 41612 CLASS 2 IN CONTACT AREA. 0.0027(0.00050) NICKEL UNDERPLATE ALL OVER. TIN-LEAD ON TAILS.



NOTES	POSITIONS LOADED	C	B	A	NO. OF LOADED POSITIONS	ASSY PART NUMBER
OBSOLETE	1 THRU 1E	X	-	X	32	535068-9
	1 THRU 1E	X	-	X	32	535068-5
	1 THRU 1E	X	-	X	32	535068-4

DO NOT SCALE PRINT. UNLESS SPECIFIED DIMENSIONS IN mm (INCHES). TOLERANCES ON: 1 PLC DEC ±. 2 PLC DEC ±. 136.0050 ANGLES ±.	DR L. BRINER 5/9/89	AMP INCORPORATED MILWAUKEE, WI 53186
	CHK R.L. BRANDT 7/13/94	
	APPD R.L. BRANDT 7/13/94	NAME ASSEMBLY, RECEPTACLE, EUROCARD, TOOLLESS PRESSFIT, 48 POSITION
	AP'D R.L. BRANDT 7/13/94	
MATERIAL H56 △ CCNT △	PRODUCT SPEC -	SIZE D 00779 DRAWING NO 535068 SCALE 4:1 SHEET 1 OF 1
FINISH CCNT △ △ △	APPLICATION SPEC -	
WEIGHT -		