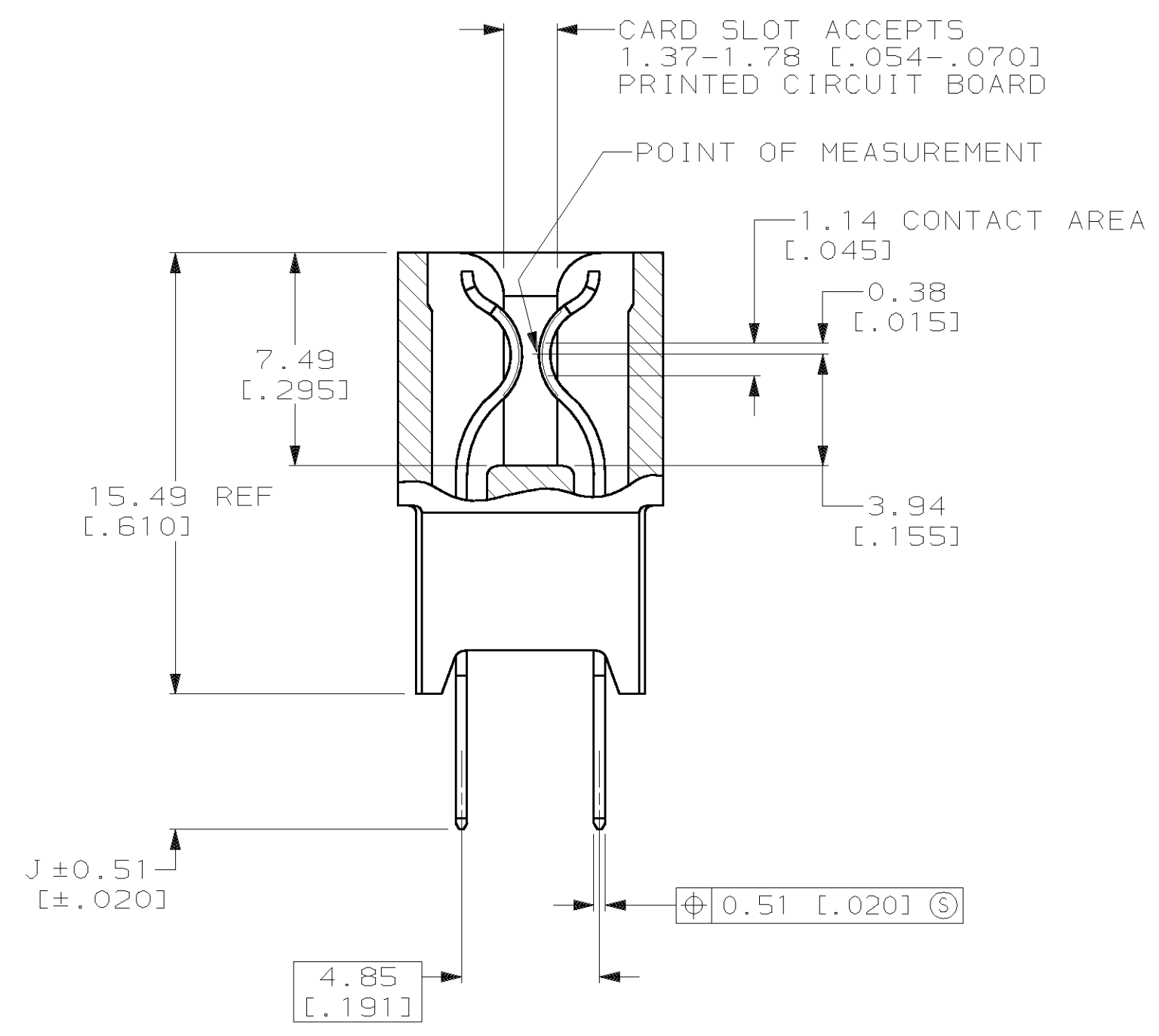
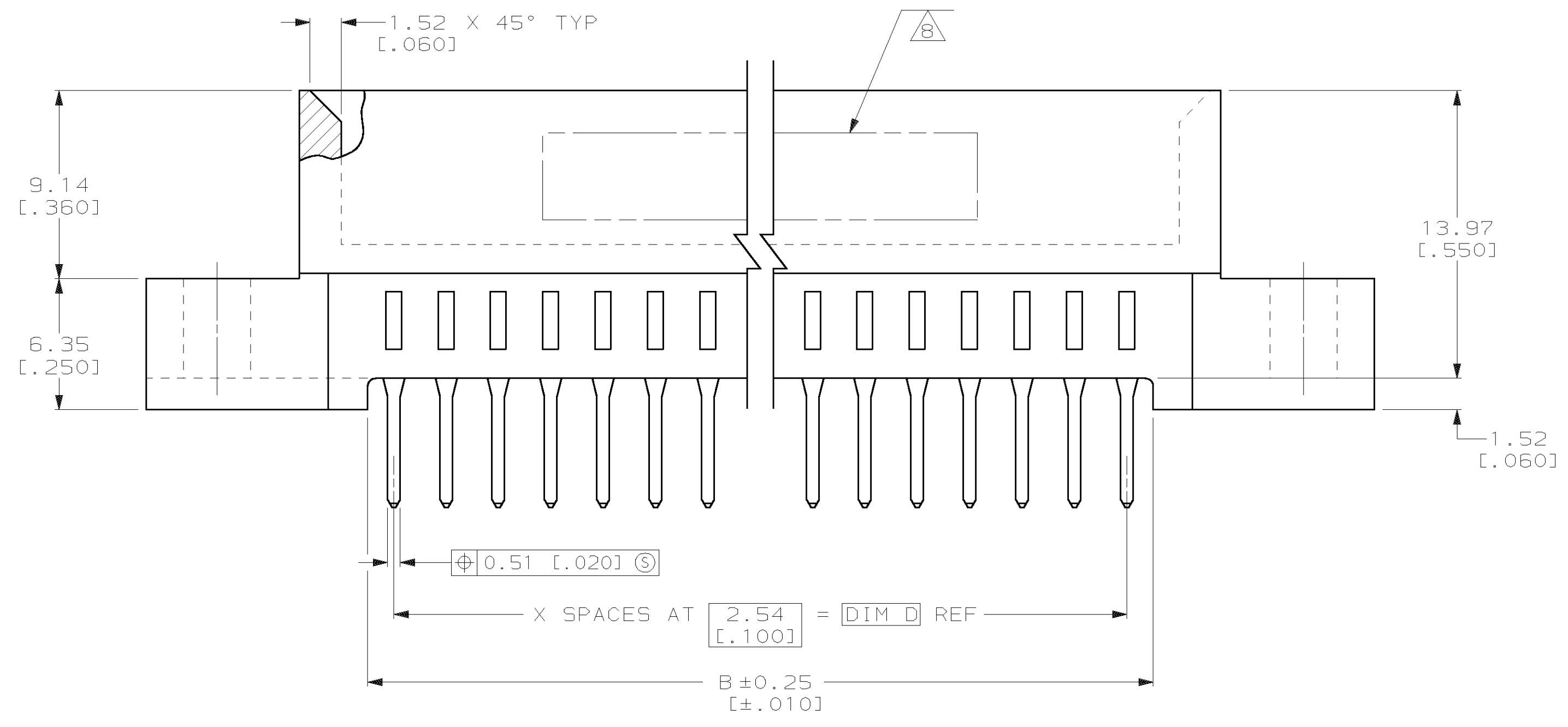
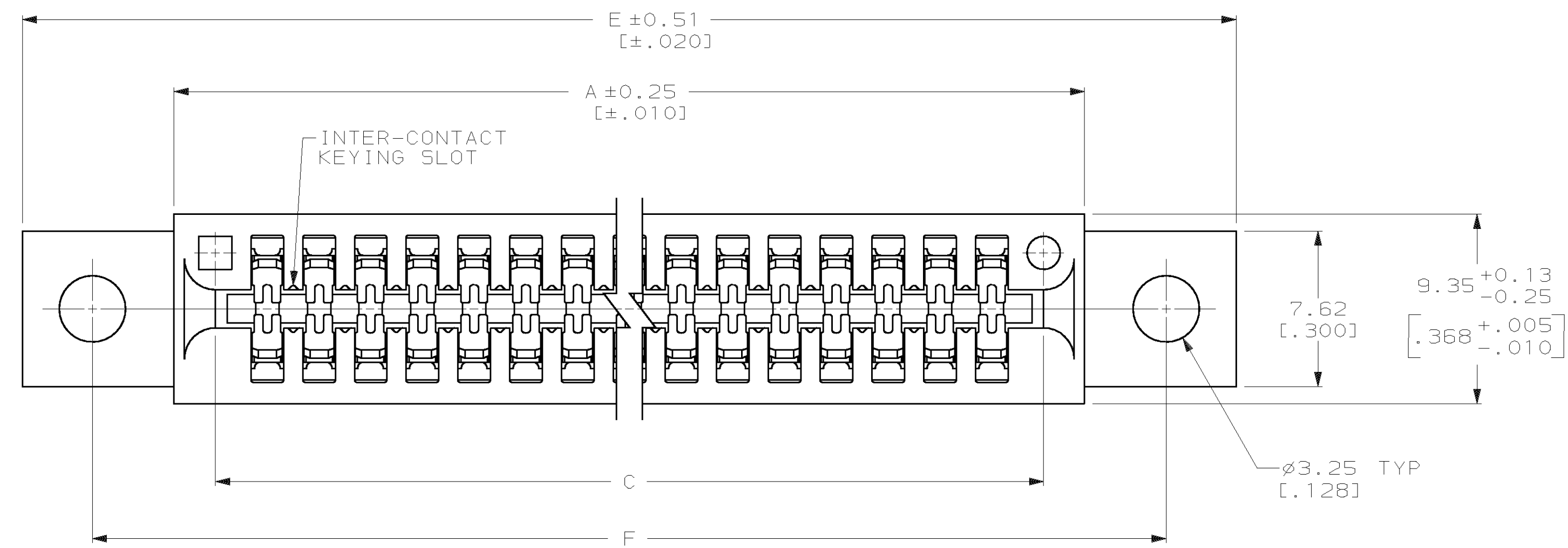


LOC	DIST	P	F	ZONE	LTR	DESCRIPTION	DATE	APPD
GP	00							
				S		REDRAWN PER AD6245	8/10/93	JD
				T		REVISED PER 0010-1201-93	11/11/94	SG JD
				U		REVISED PER 0010-0827-96	11/1/96	RB DG
				V		REVISED PER 0430-0287-96	8/12/97	RB MP
				W		REVISED PER 0651-0074-98	8/4/98	RB AV
				Y		REV PER EC 051B-0118-00	8/31/00	NF DE



- 1 HOUSING: GLASS FILLED POLYESTER; COLOR: BLACK.
- 2 CONTACT: PHOSPHOR BRONZE.
- 3 NICKEL UNDERPLATE: 0.00127 [.000050] MIN - ALL OVER.
- 4 TIN-LEAD PLATE: 0.00254 [.000100] MIN - SOLDER POSTS.
- 5 GOLD PLATE: 0.00038 [.000015] MIN - CONTACT AREA.
- 6 GOLD PLATE: 0.00076 [.000030] MIN - CONTACT AREA.
- 7 NICKEL PLATE PER MIL-G-45204. GOLD PLATE PER QQ-N-290.
- 8 AMP PART NUMBER, DATE CODE AND CSA LOGO ARE MARKED IN APPROXIMATE AREA SHOWN, EITHER SIDE.
- 9. RECOMMENDED PCB FINISHED HOLE DIA: 1.02±0.08 [.040±.003].

DO NOT SCALE PRINT.
 UNLESS SPECIFIED
 DIMENSIONS IN mm [INCHES]
 TOLERANCES ON:
 2 PLC DEC ± 0.13 [.005]
 3 PLC DEC ± -
 ANGLES ± -

DR 8/10/93
 R BROWN
 CHK 8/10/93
 J DIORAZIO
 APPD 8/10/93
 J DIORAZIO
 APPD 8/10/93
 M THUMMA
 PRODUCT SPEC
 108-9039
 APPLICATION SPEC
 -
 WEIGHT -

AMP AMP Incorporated Harrisburg, PA 17105-3508		
NAME CONNECTOR ASSEMBLY, STANDARD EDGE II, 2.54 [.100] ⌀		
SIZE D	CAGE CODE 00779	DRAWING NO. 530841
SCALE 5:1	SHEET 1 OF 2	

