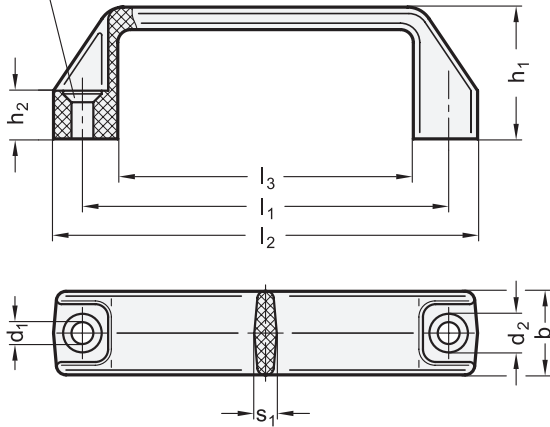
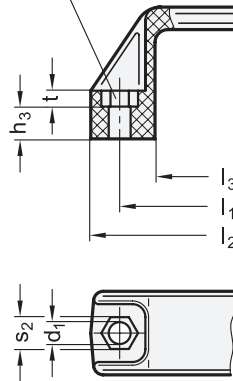




EN 528.2
Bore for countersunk screw DIN 7991



EN 528.3
Bore for socket cap screw #10 / 1/4" or hex head screw ISO 4014-M5 / M6



Metric



elisa
Original design M.443-EH / SH

Metric table



Dimensions in: millimeters - inches

l_1		b	d_1	d_2	h_1	h_2	h_3	l_2	l_3	s_1	s_2	t
EN 528.2	EN 528.3											
94 -1 3.70 -0.04	94 -1 3.70 -0.04	21 0.83	5.5 0.22	10 0.39	38 1.50	13 0.51	7 0.28	109 4.29	74 2.91	6 0.24	8 0.31	6 0.24
117 ±1 4.61 ±0.04	117 ±1 4.61 ±0.04	26 1.02	6.5 0.26	12 0.47	41 1.61	15 0.59	9 0.35	137 5.39	93 3.66	7 0.28	10 0.39	6 0.24
122 ±1 4.80 ±0.04	122 ±1 4.80 ±0.04	26 1.02	6.5 0.26	12 0.47	41 1.61	15 0.59	8.5 0.33	142 5.59	100 3.94	7 0.28	10 0.39	6.5 0.26
140 ±1 5.51 ±0.04	140 ±1 5.51 ±0.04	27 1.06	6.5 0.26	12 0.47	46 1.81	16 0.63	9.5 0.37	160 6.30	113 4.45	7 0.28	10 0.39	6.5 0.26
150 ±1 5.91 ±0.04	150 ±1 5.91 ±0.04	27 1.06	6.5 0.26	12 0.47	47 1.85	17 0.67	10.5 0.41	172 6.77	125 4.92	7 0.28	10 0.39	6.5 0.26
160 ±1 6.30 ±0.04	160 ±1 6.30 ±0.04	28 1.10	6.5 0.26	12 0.47	50 1.97	17 0.67	10.5 0.41	179 7.05	132 5.20	7 0.28	10 0.39	6.5 0.26
179 ±1 7.05 ±0.04	-	28 1.10	6.5 0.26	12 0.47	50 1.97	17 0.67	-	197 7.76	151 5.94	7.5 0.30	-	-

Specification



- Plastic **PA**
Technopolymer (Polyamide)
- Glass fiber reinforced
- Temperature resistant up to 302 °F (150 °C)
- Black, RAL 9005, matte finish **● SW**
- **Strength Values** → page 2081
- **Plastic Characteristics** → page 2135
- **RoHS compliant**

On request

- Various metric and inch size fasteners and kit packaging

Information

EN 528.3 cabinet "U" handles are resistant to solvents, oils, grease and other chemical agents.

see also...

- **Cabinet "U" Handles EN 528**
(Technopolymer Plastic, Mounting from the Operator's Side) → page 114
- **Cabinet "U" Handles GN 728**
(Aluminum, Mounting from the Back or from the Operator's Side) → page 120

How to order (For countersunk screws) EN 528.2-PA-179-SW	1	Material
	2	Length l_1
	3	Color
How to order (For hex head screws) EN 528.3-PA-150-SW	1	Material
	2	Length l_1
	3	Color