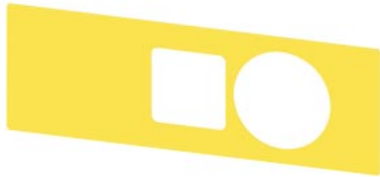


Backing plate for EMERGENCY STOP mushroom pushbutton in the enclosure, yellow, without inscription, self-adhesive with cutout EMERGENCY STOP



product brand name	SIRIUS ACT
product designation	Labeling plate
design of the product	for enclosures with EMERGENCY STOP with recess
product type designation	3SU1
General technical data	
protection class IP	IP66, IP67, IP69(IP69K)
shock resistance for railway applications according to EN 61373	Category 1, Class B
vibration resistance for railway applications according to EN 61373	Category 1, Class B
Substance Prohibittance (Date)	10/01/2014
Ambient conditions	
ambient temperature	
• during operation	70 ... -25 °C
• during storage and transport	80 ... -40 °C
Installation/ mounting/ dimensions	
height	38 mm
width	112 mm
Accessories	
material of accessory	Plastic
fastening method of label	stick
marking of the name plate for command devices	ohne
shape of the name plate for command devices	rectangular
color of the label	yellow (plate); black (font)
Certificates/ approvals	
General Product Approval	Declaration of Conformity



[Confirmation](#)



Test Certificates

Marine / Shipping

[Special Test Certificate](#)

[Type Test Certificates/Test Report](#)





[Confirmation](#)

[Environmental Con-
firmations](#)

Further information

Information- and Downloadcenter (Catalogs, Brochures,...)

<https://www.siemens.com/ic10>

Industry Mall (Online ordering system)

<https://mall.industry.siemens.com/mall/en/en/Catalog/product?mlfb=3SU1900-0BF31-0AA0>

Cax online generator

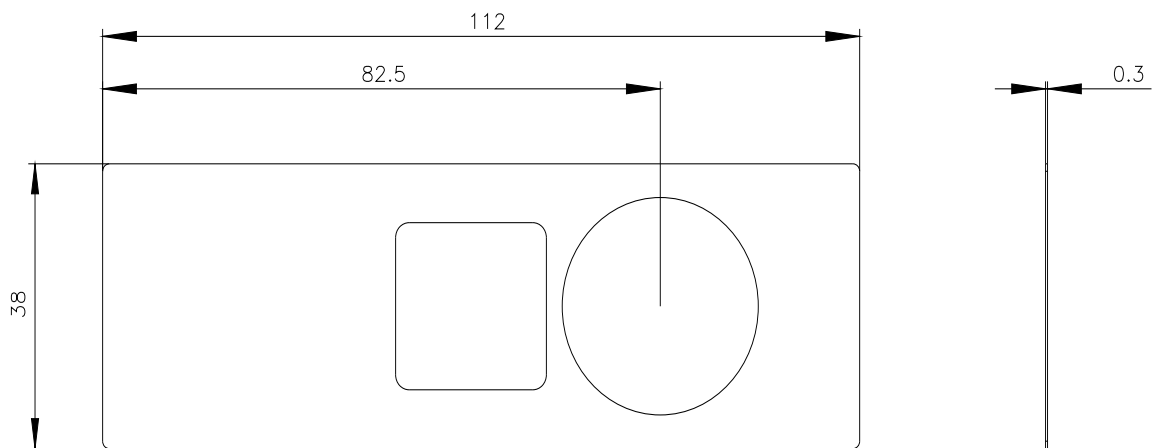
<http://support.automation.siemens.com/WW/CAXorder/default.aspx?lang=en&mlfb=3SU1900-0BF31-0AA0>

Service&Support (Manuals, Certificates, Characteristics, FAQs,...)

<https://support.industry.siemens.com/cs/ww/en/ps/3SU1900-0BF31-0AA0>

Image database (product images, 2D dimension drawings, 3D models, device circuit diagrams, EPLAN macros, ...)

http://www.automation.siemens.com/bilddb/cax_de.aspx?mlfb=3SU1900-0BF31-0AA0&lang=en



last modified:

3/29/2022