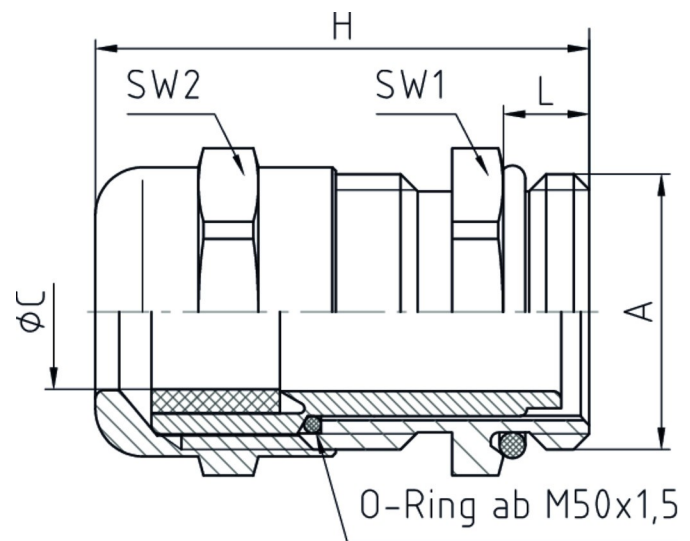


Dome nut	Stainless steel 1.4305
Lamellar insert	Polyamide PA6 V-2
Sealing ring	Polychloroprene-Nitrile rubber CR/NBR
Gland body	Stainless steel 1.4305
O-ring	Nitrile rubber NBR
Connecting thread	metric, as per EN 60423



Properties

	<ul style="list-style-type: none"> integrated anchorage protection against twisting wide sealing and clamping range easy-to-install
Temperature range	-20 °C / +100 °C (dynamic) -40 °C (static, short term)
Protection grade	IP68 IP69K*
Test standard	UL 514B
DNV GL Certificate	TAE0000386
UL / CSA-File	E140310
Comment	details about test results - see annex, with sealing ring and O-ring made of FKM on request



Features

Connecting thread standard length

A	ØC	L	SW1	SW2	H	VPE	Part No.
M12x1,5	3 - 6	5	14	14	25	50	50.612 ES
M16x1,5	5 - 9	5	17	17	30	50	50.616 ES
M20x1,5	9 - 13	6	22	22	33,5	50	50.620 ES
M25x1,5	11 - 16	7	27	27	36,5	50	50.625 ES
M32x1,5	14 - 20	8	34	34	38	25	50.632 ES
M40x1,5	19 - 27	8	43	43	41	10	50.640 ES
M50x1,5	24 - 35	9	55	55	49,5	5	50.650 ES
M63x1,5	32 - 42	10	65	65	52,5	5	50.663 ES

A

ØC

L

SW1

SW2

H



Part No.

*IP69K tested for M12 - M25, M50, M63