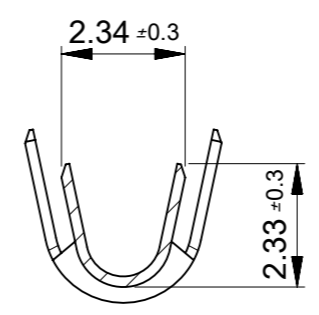
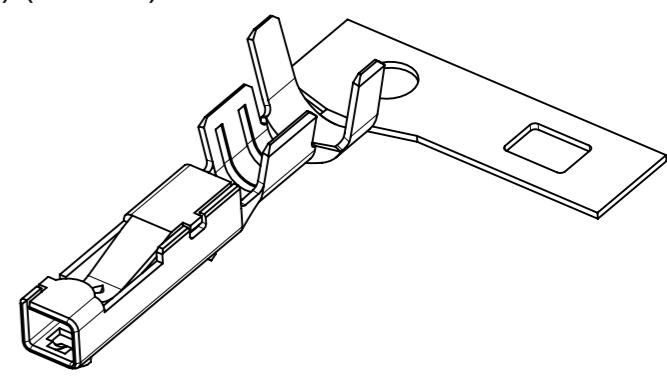
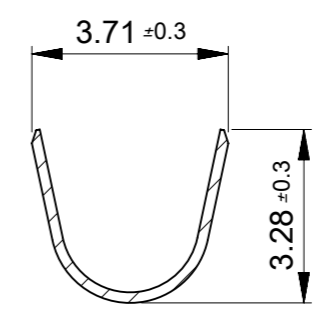


**NOTES**

- ① 材料及び仕上げ(めっき仕様) : TABLE 1 参照  
MATERIAL AND FINISHES : SEE TABLE 1
- ② 適合ハウジング, 嵌合相手, 関連ドキュメントについてはSHEET 2 を御参照下さい。  
PLEASE REFER TO SHEET 2 FOR APPLICABLE HOUSING, MATING PARTNER AND RELATED DOCUMENTS.
- ③ トレードマーク : MXプラス1文字の製造工場を示す  
アルファベットにて表示。  
但し"J"はJAPANを示す。  
FORMED BY MX AND 1 MORE LETTER OF ALPHABET WHICH MEAN THE MANUFACTORY.  
BUT "J" MEANS JAPAN. (TO TRADE MARK) (ex MXJ)



SECTION Z-Z



SECTION Y-Y

① TABLE 1

③ TRADE MARK

Φ1.75-2.05mm	AWG#18~20	ポリ袋 POLY BAG	5056070101	バラ状 LOOSE
		リール REEL	5056070001	連鎖状 CHAIN
絶縁被覆外径範囲 INSULATION RANGE	適用電線範囲 WIRE RANGE	梱包形態 PACKAGING	発注番号 ORDER No.	端子形状 FORM

THIS DRAWING CONTAINS INFORMATION THAT IS PROPRIETARY TO MOLEX ELECTRONIC TECHNOLOGIES, LLC AND SHOULD NOT BE USED WITHOUT WRITTEN PERMISSION				
DIMENSION UNITS mm	SCALE NTS	CURRENT REV DESC:		
GENERAL TOLERANCES (UNLESS SPECIFIED)				
ANGULAR TOL ± 3.0°				
4 PLACES ± 0.2	EC NO: 649906			
3 PLACES ± 0.2	DRWN: HKOBAYASHI 2020/07/02			
2 PLACES ± 0.2	CHK'D: AIDA 2020/11/25			
1 PLACE ± 0.2	APPR: KOMURAKAMI 2020/11/25	PRODUCT CUSTOMER DRAWING		
0 PLACES ± 0.2	INITIAL REVISION:	DOCUMENT NUMBER		
DRAFT WHERE APPLICABLE MUST REMAIN WITHIN DIMENSIONS		DRWN: HKOBAYASHI 2020/07/02	5056070001-SD	
THIRD ANGLE PROJECTION		APPR: KOMURAKAMI 2020/11/25	DOC TYPE	DOC PART
		DRAWING	GENERAL	000
A3-SIZE		SERIES	REVISION	A
505607		MATERIAL NUMBER	SHEET NUMBER	
SEE TABLE		CUSTOMER	1 OF 2	
GENERAL				

部品 PART		材質 MATERIAL
ターミナル TERMINAL	MATERIAL	銅合金 COPPER ALLOY
	めっき PLATING	錫めっき : 0.9 MICRO METER MINIMUM MATTE TIN
		リフロー処理(前めっき) REFLOW TREATMENT (PRE-PLATING)

△ 適合製品及び各種仕様書  
**APPLICABLE PRODUCTS AND VARIOUS SPECIFICATIONS**

圧着端子 梱包仕様書 PACKAGING SPECIFICATION OF CRIMP TERMINAL	PART NUMBER	SPECIFICATION NUMBER
	5056070101 5056070001	5056079200 PS 200

適合ハウジング APPLICABLE HOUSING	212209
シリーズ番号 SERIES No.	
適合リテーナー APPLICABLE RETAINER	212213
シリーズ番号 SERIES No.	
適合嵌合相手 MATE WITH	THROUGH HOLE
	VERTICAL
シリーズ番号 SERIES No.	212210
製品仕様書 PRODUCT SPECIFICATION	2122090000-PS 000
取扱説明書 APPLICATION SPECIFICATION	2166940000-AS 000

製品嵌合図は各"適合嵌合相手"図面参照のこと  
 MATING VIEW : REFER TO EACH "MATE WITH" PART DRAWING.

THIS DRAWING CONTAINS INFORMATION THAT IS PROPRIETARY TO MOLEX ELECTRONIC TECHNOLOGIES, LLC AND SHOULD NOT BE USED WITHOUT WRITTEN PERMISSION									
DIMENSION UNITS	SCALE	CURRENT REV DESC:			<b>molex</b>				
mm	NTS								
GENERAL TOLERANCES (UNLESS SPECIFIED)		EC NO: 649906			CP-3.3 RECEPTACLE CRIMP TERMINAL				
ANGULAR TOL ± 3.0 °		DRWN: HKOBAYASHI 2020/07/02							
4 PLACES ± 0.2	CHK'D: AIDA 2020/11/25			PRODUCT CUSTOMER DRAWING					
3 PLACES ± 0.2	APPR: KOMURAKAMI 2020/11/25								
2 PLACES ± 0.2	INITIAL REVISION:			DOCUMENT NUMBER					
1 PLACE ± 0.2	DRWN: HKOBAYASHI 2020/07/02								
0 PLACES ± 0.2	APPR: KOMURAKAMI 2020/11/25			5056070001-SD					
DRAFT WHERE APPLICABLE MUST REMAIN WITHIN DIMENSIONS		THIRD ANGLE PROJECTION	DRAWING						SERIES
			A3-SIZE	505607	SEE TABLE	GENERAL	PSD	000	A
DOCUMENT STATUS		P1	RELEASE DATE	2020/11/25	10:07:05	SHEET NUMBER			
						2 OF 2			