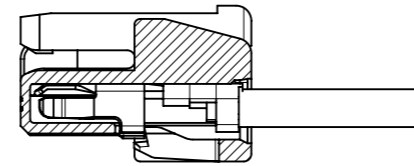
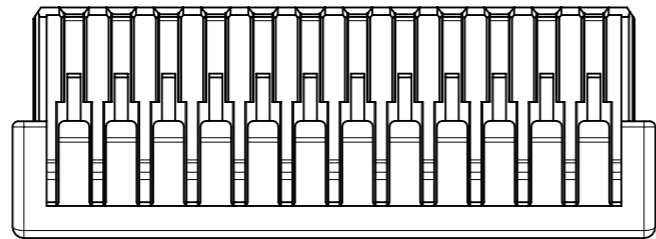


奇数キャビティ : キャビティ番号及び金型番号  
 ODD CAV:CAVITY & MOLD NUMBER  
 偶数キャビティ : トレードマーク  
 EVEN CAV:TRADE MARK

奇数キャビティ : トレードマーク  
 ODD CAV:TRADE MARK  
 偶数キャビティ : キャビティ番号及び金型番号  
 EVEN CAV:CAVITY & MOLD NUMBER



ターミナル装着図  
 TERMINAL ASSEMBLY DRAWING

注記 :

NOTES :

- ① 材質 : TABLE 1参照  
 MATERIAL : SEE TABLE 1.
- ② 偶数極に適用。  
 APPLY FOR EVEN CIRCUIT.
- ③ 製品仕様書、コネクタ取扱説明書、適合嵌合相手、適合ターミナルはSHEET 3をご参照ください。  
 PLEASE REFER TO SHEET 3 FOR PRODUCT SPECIFICATION, APPLICATION SPECIFICATION,  
 MATE WITH AND APPLICABLE TERMINAL.
- ④ 発注番号 : SHEET 3 参照  
 ORDER NUMBER : PLEASE REFER TO SHEET 3

505565\*\*0\*

極数  
 CIRCUIT SIZE

| 番号<br>NO. | ハウジングカラー<br>HOUSING COLOR    |
|-----------|------------------------------|
| 0         | ナチュラル (白)<br>NATURAL (WHITE) |
| 1         | 黒 BLACK                      |
| 2         | 赤 RED                        |
| 3         | 黄 YELLOW                     |
| 4         | 青 BLUE                       |
| 6         | 緑 GREEN                      |
| 8         | 橙 ORANGE                     |

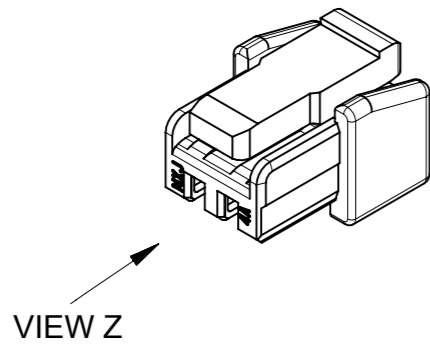
① TABLE 1

|       |       |                    |
|-------|-------|--------------------|
| 18.75 | 22    | 16                 |
| 17.50 | 20.75 | 15                 |
| 16.25 | 19.5  | 14                 |
| 15    | 18.25 | 13                 |
| 13.75 | 17    | 12                 |
| 12.5  | 15.75 | 11                 |
| 11.25 | 14.5  | 10                 |
| 10    | 13.25 | 9                  |
| 8.75  | 12    | 8                  |
| 7.5   | 10.75 | 7                  |
| 6.25  | 9.5   | 6                  |
| 5     | 8.25  | 5                  |
| 3.75  | 7     | 4                  |
| 2.5   | 5.75  | 3                  |
| 1.25  | 4.5   | 2                  |
| B     | A     | 極数<br>CIRCUIT SIZE |

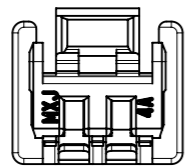
|   |         |                   |  |                          |  |  |
|---|---------|-------------------|--|--------------------------|--|--|
| THIS DRAWING CONTAINS INFORMATION THAT IS PROPRIETARY TO MOLEX ELECTRONIC TECHNOLOGIES, LLC AND SHOULD NOT BE USED WITHOUT WRITTEN PERMISSION |         | CURRENT REV DESC: |  | <b>molex</b>             |  |  |
| DIMENSION UNITS   | SCALE   | EC NO: 736271     |  |                          |  |  |
| mm  | NTS     | DRWN: TENAGASE    |  | PRODUCT CUSTOMER DRAWING |  |  |
| GENERAL TOLERANCES<br>(UNLESS SPECIFIED)  |         | 2023/02/08        |  | DOCUMENT NUMBER          |  |  |
| ANGULAR TOL   | ± 3.0 ° | 3 PLACES ± 0.2    |  | 5055650002-SD            |  |  |
| 4 PLACES  | ± 0.2   | CHK'D: SAKIYAMA   |  | DOC TYPE                 |  |  |
| 3 PLACES  | ± 0.2   | APPR: AIDA        |  | PSD                      |  |  |
| 2 PLACES  | ± 0.2   | INITIAL REVISION: |  | DOC PART                 |  |  |
| 1 PLACE   | ± 0.2   | DRWN: RWATANABE01 |  | 000                      |  |  |
| 0 PLACES  | ± 0.2   | 2017/09/14        |  | REVISION                 |  |  |
| DRAFT WHERE APPLICABLE<br>MUST REMAIN<br>WITHIN DIMENSIONS  |         | 2023/02/16        |  | H                        |  |  |
| THIRD ANGLE PROJECTION  |         | DRAWING           |  | SHEET NUMBER             |  |  |
| A3-SIZE   |         | SERIES            |  | 1 OF 3                   |  |  |
| 505565  |         | MATERIAL NUMBER   |  | SEE SHEET 3              |  |  |
| CUSTOMER  |         | GENERAL           |  |                          |  |  |

| 部品<br>PART       | 材質<br>MATERIAL   |
|------------------|--|
| ハウジング<br>HOUSING | ポリエステル(PBT), UL94 V-0, 色 : SHEET 3参照<br>POLYESTER(PBT), UL94 V-0, COLOR : SEE SHEET 3. |
| DOCUMENT STATUS  | P1   |
| RELEASE DATE     | 2023/02/16 15:22:39  |

製品形状  
PRODUCT SHAPE

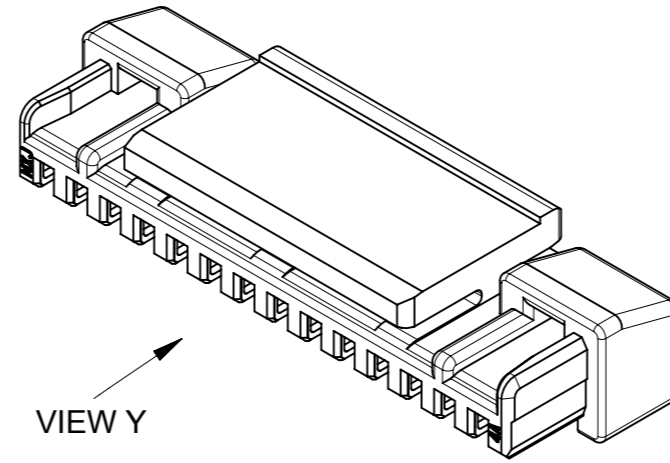


VIEW Z

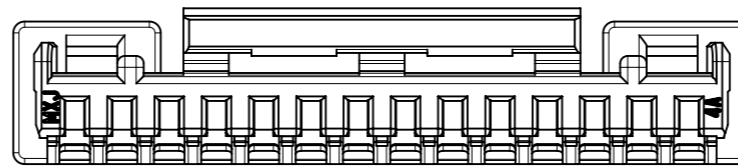


VIEW Z

2-13極  
2-13 CIRCUIT



VIEW Y



VIEW Y

14-16極  
14-16 CIRCUIT

|   |         |                        |            |        |                 |                 |  |              |  |  |
|---|---------|------------------------|------------|--------|-----------------|-----------------|--|--------------|--|--|
| THIS DRAWING CONTAINS INFORMATION THAT IS PROPRIETARY TO MOLEX ELECTRONIC TECHNOLOGIES, LLC AND SHOULD NOT BE USED WITHOUT WRITTEN PERMISSION |         |                        |            |        |                 |                 |  |              |  |  |
| DIMENSION UNITS   | SCALE   | CURRENT REV DESC:      |            |        |                 |                 | <b>molex</b>   |              |  |  |
| mm  | NTS     |                        |            |        |                 |                 |  |              |  |  |
| GENERAL TOLERANCES (UNLESS SPECIFIED)   |         |                        |            |        |                 |                 | MICRO-LOCK PLUS 1.25 W/B SINGLE ROW RECEPTACLE HOUSING |              |  |  |
| ANGULAR TOL   | ± 3.0 ° |                        |            |        |                 |                 | PRODUCT CUSTOMER DRAWING                               |              |  |  |
| 4 PLACES  | ± 0.2   | EC NO: 736271          |            |        |                 | DOCUMENT NUMBER |  |              |  |  |
| 3 PLACES  | ± 0.2   | DRWN: TENAGASE         | 2023/02/08 |        |                 | 5055650002-SD   |  |              |  |  |
| 2 PLACES  | ± 0.2   | CHK'D: SAKIYAMA        | 2023/02/16 |        |                 | DOC TYPE        | DOC PART   | REVISION     |  |  |
| 1 PLACE   | ± 0.2   | APPR: AIDA             | 2023/02/16 |        |                 | PSD             | 000  | H            |  |  |
| 0 PLACES  | ± 0.2   | INITIAL REVISION:      |            |        |                 |                 |  |              |  |  |
| DRAFT WHERE APPLICABLE MUST REMAIN WITHIN DIMENSIONS  |         | DRWN: RWATANABE01      | 2017/09/14 |        |                 |                 |  |              |  |  |
|   |         | APPR: TKANEKO          | 2017/09/26 |        |                 |                 |  |              |  |  |
|   |         | THIRD ANGLE PROJECTION | DRAWING    | SERIES | MATERIAL NUMBER | CUSTOMER        |  | SHEET NUMBER |  |  |
|   |         |                        | A3-SIZE    | 505565 | SEE SHEET 3     | GENERAL         |  | 2 OF 3       |  |  |

|                 |    |              |            |          |
|-----------------|----|--------------|------------|----------|
| DOCUMENT STATUS | P1 | RELEASE DATE | 2023/02/16 | 15:22:39 |
|-----------------|----|--------------|------------|----------|

△ 3 適合製品及び各種仕様書 APPLICABLE PRODUCTS AND VARIOUS SPECIFICATIONS

|  |                       |             |                       |                       |                      |
|--|-----------------------|-------------|-----------------------|-----------------------|----------------------|
| 梱包仕様書<br>PACKAGING SPECIFICATION       | PART NUMBER           |             | SPECIFICATION NUMBER  |                       |                      |
|  | 505565**0*            |             | 5055659200 PS 200     |                       |                      |
| 適合ターミナル<br>APPLICABLE TERMINAL         | PART NUMBER           |             | PLATING TYPE          |                       | WIRE SIZE(AWG)       |
|  | 5054311000            |             | TIN                   |                       |                      |
|  | 5054311*00<br>1,2,3 ↑ |             | GOLD                  |                       |                      |
| 適合嵌合相手<br>MATE WITH                    | WIRE TO BOARD         |             |                       |                       | WIRE TO WIRE         |
|  | TIN PLATING           |             | GOLD PLATING          |                       | TIN PLATING          |
|  | VERTICAL              | RIGHT ANGLE | VERTICAL              | RIGHT ANGLE           | ---                  |
|  | 2-16CKT               |             |                       |                       | 2-9CKT               |
| シリーズ番号<br>SERIES NUMBER                | 505568**7*            | 505567**7*  | 505568****<br>3,5,8 ↑ | 505567****<br>3,5,8 ↑ | 2145252***           |
| 製品仕様書<br>PRODUCT SPECIFICATION         | 5055650000 PS 000     |             | 5055650002 PS 000     |                       | 5055650003-PS PS 000 |
| コネクタ取扱説明書<br>APPLICATION SPECIFICATION | 5055650000-AS PS 000  |             |                       |                       |                      |

製品嵌合図は各嵌合相手図面を参照のこと  
MATING VIEW : REFER TO EACH "MATE WITH" PART DRAWING.

△ 4 505565\*\*0\* 発注番号一覧 ORDER NUMBER LIST

| ORANGE                                    | GREEN      | BLUE       | YELLOW     | RED        | BLACK      | NATURAL (WHITE) | HOUSING COLOR      |
|---|------------|------------|------------|------------|------------|-----------------|--------------------|
| 5055651608                                | 5055651606 | 5055651604 | 5055651603 | 5055651602 | 5055651601 | 5055651600      | 16                 |
| 5055651508                                | 5055651506 | 5055651504 | 5055651503 | 5055651502 | 5055651501 | 5055651500      | 15                 |
| 5055651408                                | 5055651406 | 5055651404 | 5055651403 | 5055651402 | 5055651401 | 5055651400      | 14                 |
| 5055651308                                | 5055651306 | 5055651304 | 5055651303 | 5055651302 | 5055651301 | 5055651300      | 13                 |
| 5055651208                                | 5055651206 | 5055651204 | 5055651203 | 5055651202 | 5055651201 | 5055651200      | 12                 |
| 5055651108                                | 5055651106 | 5055651104 | 5055651103 | 5055651102 | 5055651101 | 5055651100      | 11                 |
| 5055651008                                | 5055651006 | 5055651004 | 5055651003 | 5055651002 | 5055651001 | 5055651000      | 10                 |
| 5055650908                                | 5055650906 | 5055650904 | 5055650903 | 5055650902 | 5055650901 | 5055650900      | 9                  |
| 5055650808                                | 5055650806 | 5055650804 | 5055650803 | 5055650802 | 5055650801 | 5055650800      | 8                  |
| 5055650708                                | 5055650706 | 5055650704 | 5055650703 | 5055650702 | 5055650701 | 5055650700      | 7                  |
| 5055650608                                | 5055650606 | 5055650604 | 5055650603 | 5055650602 | 5055650601 | 5055650600      | 6                  |
| 5055650508                                | 5055650506 | 5055650504 | 5055650503 | 5055650502 | 5055650501 | 5055650500      | 5                  |
| 5055650408                                | 5055650406 | 5055650404 | 5055650403 | 5055650402 | 5055650401 | 5055650400      | 4                  |
| 5055650308                                | 5055650306 | 5055650304 | 5055650303 | 5055650302 | 5055650301 | 5055650300      | 3                  |
| 5055650208                                | 5055650206 | 5055650204 | 5055650203 | 5055650202 | 5055650201 | 5055650200      | 2                  |
| 発注番号 ORDER NUMBER                         |            |            |            |            |            |                 | 極数<br>CIRCUIT SIZE |
| 梱包形態 : ポリ袋<br>PACKAGING : POLYBAG PACKAGE |            |            |            |            |            |                 |                    |

|   |  |                        |  |                              |  |          |  |   |  |
|---|--|------------------------|--|------------------------------|--|----------|--|---|--|
| THIS DRAWING CONTAINS INFORMATION THAT IS PROPRIETARY TO MOLEX ELECTRONIC TECHNOLOGIES, LLC AND SHOULD NOT BE USED WITHOUT WRITTEN PERMISSION |  |                        |  |                              |  |          |  |   |  |
| DIMENSION UNITS   |  | SCALE                  |  | CURRENT REV DESC:            |  |          |  | <b>molex</b>  |  |
| mm  |  | NTS                    |  |                              |  |          |  |   |  |
| GENERAL TOLERANCES (UNLESS SPECIFIED)   |  |                        |  | EC NO: 736271                |  |          |  | MICRO-LOCK PLUS 1.25 W/B<br>SINGLE ROW RECEPTACLE HOUSING |  |
| ANGULAR TOL ± 3.0 °   |  |                        |  | DRWN: TENAGASE 2023/02/08    |  |          |  |   |  |
| 4 PLACES ± 0.2  |  |                        |  | CHK'D: SAKIYAMA 2023/02/16   |  |          |  | PRODUCT CUSTOMER DRAWING                                  |  |
| 3 PLACES ± 0.2  |  |                        |  | APPR: AIDA 2023/02/16        |  |          |  |   |  |
| 2 PLACES ± 0.2  |  |                        |  | INITIAL REVISION:            |  |          |  | DOCUMENT NUMBER   |  |
| 1 PLACE ± 0.2   |  |                        |  | DRWN: RWATANABE01 2017/09/14 |  |          |  | 5055650002-SD   |  |
| 0 PLACES ± 0.2  |  |                        |  | APPR: TKANEKO 2017/09/26     |  |          |  | PSD 000 H   |  |
| DRAFT WHERE APPLICABLE MUST REMAIN WITHIN DIMENSIONS  |  | THIRD ANGLE PROJECTION |  | DRAWING                      |  | SERIES   |  | MATERIAL NUMBER   |  |
|   |  |                        |  | A3-SIZE                      |  | 505565   |  | SEE CHART   |  |
|   |  |                        |  |                              |  | CUSTOMER |  | GENERAL   |  |
|   |  |                        |  |                              |  |          |  | SHEET NUMBER  |  |
|   |  |                        |  |                              |  |          |  | 3 OF 3  |  |