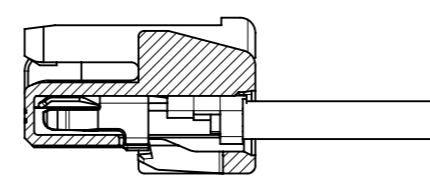
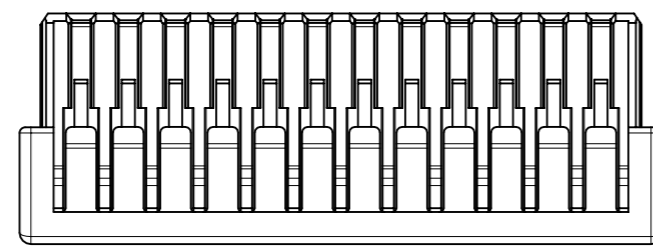


奇数キャビティ : キャビティ番号及び金型番号  
 ODD CAV:CAVITY & MOLD NUMBER  
 偶数キャビティ : トレードマーク  
 EVEN CAV:TRADE MARK

奇数キャビティ : トレードマーク  
 ODD CAV:TRADE MARK  
 偶数キャビティ : キャビティ番号及び金型番号  
 EVEN CAV:CAVITY & MOLD NUMBER



ターミナル装着図  
 TERMINAL ASSEMBLY DRAWING

- 注記 :  
 NOTES :
- ① 材質 : TABLE 1参照  
 MATERIAL : SEE TABLE 1.
  - ② 偶数極に適用。  
 APPLY FOR EVEN CIRCUIT.
  - ③ 製品仕様書、コネクタ取扱説明書、適合嵌合相手、適合ターミナルはSHEET 3をご参照ください。  
 PLEASE REFER TO SHEET 3 FOR PRODUCT SPECIFICATION, APPLICATION SPECIFICATION,  
 MATE WITH AND APPLICABLE TERMINAL.
  - ④ 発注番号 : SHEET 3 参照  
 ORDER NUMBER : PLEASE REFER TO SHEET 3

505565\*\*0\*  
 極数  
 CIRCUIT SIZE

番号 NO.	ハウジングカラー HOUSING COLOR
0	ナチュラル (白) NATURAL (WHITE)
1	黒 BLACK
2	赤 RED
3	黄 YELLOW
4	青 BLUE
6	緑 GREEN
8	橙 ORANGE

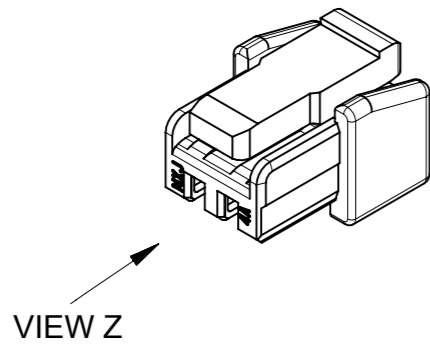
18.75	22	16
17.50	20.75	15
16.25	19.5	14
15	18.25	13
13.75	17	12
12.5	15.75	11
11.25	14.5	10
10	13.25	9
8.75	12	8
7.5	10.75	7
6.25	9.5	6
5	8.25	5
3.75	7	4
2.5	5.75	3
1.25	4.5	2
B	A	極数 CIRCUIT SIZE

① TABLE 1

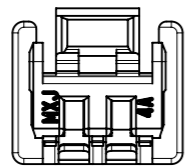
部品 PART	材質 MATERIAL
ハウジング HOUSING	ポリエステル(PBT), UL94 V-0, 色 : SHEET 3参照 POLYESTER(PBT), UL94 V-0, COLOR : SEE SHEET 3.
DOCUMENT STATUS	P1 RELEASE DATE 2023/02/16 15:22:39

THIS DRAWING CONTAINS INFORMATION THAT IS PROPRIETARY TO MOLEX ELECTRONIC TECHNOLOGIES, LLC AND SHOULD NOT BE USED WITHOUT WRITTEN PERMISSION		CURRENT REV DESC:		<b>molex</b>	
DIMENSION UNITS mm	SCALE NTS	EC NO: 736271 DRWN: TENAGASE 2023/02/08 CHK'D: SAKIYAMA 2023/02/16 APPR: AIDA 2023/02/16			
GENERAL TOLERANCES (UNLESS SPECIFIED)		INITIAL REVISION:		MICRO-LOCK PLUS 1.25 W/B SINGLE ROW RECEPTACLE HOUSING	
ANGULAR TOL	± 3.0 °	DRWN: RWATANABE01 2017/09/14 APPR: TKANEKO 2017/09/26		PRODUCT CUSTOMER DRAWING	
4 PLACES	± 0.2	SERIES A3-SIZE 505565		DOCUMENT NUMBER 5055650002-SD	
3 PLACES	± 0.2	MATERIAL NUMBER SEE SHEET 3		DOC TYPE PSD	
2 PLACES	± 0.2	CUSTOMER GENERAL		DOC PART 000	
1 PLACE	± 0.2	SHEET NUMBER 1 OF 3		REVISION H	
0 PLACES	± 0.2	THIRD ANGLE PROJECTION		DRAWING	
DRAFT WHERE APPLICABLE MUST REMAIN WITHIN DIMENSIONS		DRAWING		DRAWING	

製品形状  
PRODUCT SHAPE

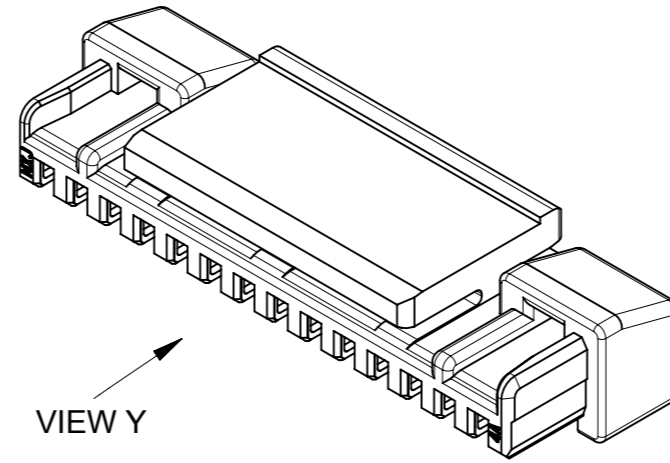


VIEW Z

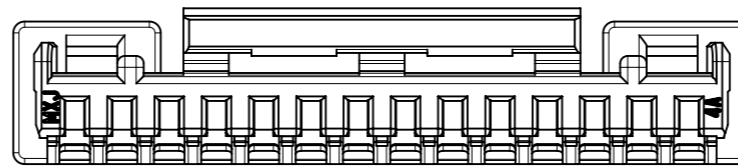


VIEW Z

2-13極  
2-13 CIRCUIT



VIEW Y



VIEW Y

14-16極  
14-16 CIRCUIT

THIS DRAWING CONTAINS INFORMATION THAT IS PROPRIETARY TO MOLEX ELECTRONIC TECHNOLOGIES, LLC AND SHOULD NOT BE USED WITHOUT WRITTEN PERMISSION									
DIMENSION UNITS	SCALE	CURRENT REV DESC:				<b>molex</b>			
mm	NTS								
GENERAL TOLERANCES (UNLESS SPECIFIED)						MICRO-LOCK PLUS 1.25 W/B SINGLE ROW RECEPTACLE HOUSING			
ANGULAR TOL	± 3.0 °					PRODUCT CUSTOMER DRAWING			
4 PLACES	± 0.2	EC NO: 736271							
3 PLACES	± 0.2	DRWN: TENAGASE	2023/02/08						
2 PLACES	± 0.2	CHK'D: SAKIYAMA	2023/02/16						
1 PLACE	± 0.2	APPR: AIDA	2023/02/16						
0 PLACES	± 0.2	INITIAL REVISION:							
DRAFT WHERE APPLICABLE MUST REMAIN WITHIN DIMENSIONS		DRWN: RWATANABE01	2017/09/14		DOCUMENT NUMBER	DOC TYPE	DOC PART	REVISION	
THIRD ANGLE PROJECTION		APPR: TKANEKO	2017/09/26		5055650002-SD	PSD	000	H	
DRAWING		SERIES	MATERIAL NUMBER	CUSTOMER	SHEET NUMBER				
A3-SIZE		505565	SEE SHEET 3	GENERAL	2 OF 3				

DOCUMENT STATUS	P1	RELEASE DATE	2023/02/16	15:22:39
-----------------	----	--------------	------------	----------


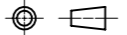
△ 3 適合製品及び各種仕様書 APPLICABLE PRODUCTS AND VARIOUS SPECIFICATIONS

梱包仕様書 PACKAGING SPECIFICATION	PART NUMBER		SPECIFICATION NUMBER		
	505565**0*		5055659200 PS 200		
適合ターミナル APPLICABLE TERMINAL	PART NUMBER		PLATING TYPE		WIRE SIZE(AWG)
	5054311000		TIN		
	5054311*00 1,2,3 ↑		GOLD		
適合嵌合相手 MATE WITH	WIRE TO BOARD				WIRE TO WIRE
	TIN PLATING		GOLD PLATING		TIN PLATING
	VERTICAL	RIGHT ANGLE	VERTICAL	RIGHT ANGLE	---
	2-16CKT				2-9CKT
シリーズ番号 SERIES NUMBER	505568**7*	505567**7*	505568**** 3,5,8 ↑	505567**** 3,5,8 ↑	2145252***
製品仕様書 PRODUCT SPECIFICATION	5055650000 PS 000		5055650002 PS 000		5055650003-PS PS 000
コネクタ取扱説明書 APPLICATION SPECIFICATION	5055650000-AS PS 000				

製品嵌合図は各嵌合相手図面を参照のこと  
MATING VIEW : REFER TO EACH "MATE WITH" PART DRAWING.

△ 4 505565\*\*0\* 発注番号一覧 ORDER NUMBER LIST

ORANGE	GREEN	BLUE	YELLOW	RED	BLACK	NATURAL (WHITE)	HOUSING COLOR
5055651608	5055651606	5055651604	5055651603	5055651602	5055651601	5055651600	16
5055651508	5055651506	5055651504	5055651503	5055651502	5055651501	5055651500	15
5055651408	5055651406	5055651404	5055651403	5055651402	5055651401	5055651400	14
5055651308	5055651306	5055651304	5055651303	5055651302	5055651301	5055651300	13
5055651208	5055651206	5055651204	5055651203	5055651202	5055651201	5055651200	12
5055651108	5055651106	5055651104	5055651103	5055651102	5055651101	5055651100	11
5055651008	5055651006	5055651004	5055651003	5055651002	5055651001	5055651000	10
5055650908	5055650906	5055650904	5055650903	5055650902	5055650901	5055650900	9
5055650808	5055650806	5055650804	5055650803	5055650802	5055650801	5055650800	8
5055650708	5055650706	5055650704	5055650703	5055650702	5055650701	5055650700	7
5055650608	5055650606	5055650604	5055650603	5055650602	5055650601	5055650600	6
5055650508	5055650506	5055650504	5055650503	5055650502	5055650501	5055650500	5
5055650408	5055650406	5055650404	5055650403	5055650402	5055650401	5055650400	4
5055650308	5055650306	5055650304	5055650303	5055650302	5055650301	5055650300	3
5055650208	5055650206	5055650204	5055650203	5055650202	5055650201	5055650200	2
発注番号 ORDER NUMBER							極数 CIRCUIT SIZE
梱包形態 : ポリ袋 PACKAGING : POLYBAG PACKAGE							

THIS DRAWING CONTAINS INFORMATION THAT IS PROPRIETARY TO MOLEX ELECTRONIC TECHNOLOGIES, LLC AND SHOULD NOT BE USED WITHOUT WRITTEN PERMISSION									
DIMENSION UNITS	SCALE	CURRENT REV DESC:							
mm	NTS								
GENERAL TOLERANCES (UNLESS SPECIFIED)		EC NO: 736271			MICRO-LOCK PLUS 1.25 W/B SINGLE ROW RECEPTACLE HOUSING				
ANGULAR TOL ± 3.0 °		DRWN: TENAGASE 2023/02/08							
4 PLACES ± 0.2	CHK'D: SAKIYAMA 2023/02/16			PRODUCT CUSTOMER DRAWING					
3 PLACES ± 0.2	APPR: AIDA 2023/02/16								
2 PLACES ± 0.2	INITIAL REVISION:			DOCUMENT NUMBER: 5055650002-SD DOC TYPE: PSD DOC PART: 000 REVISION: H					
1 PLACE ± 0.2	DRWN: RWATANABE01 2017/09/14								
0 PLACES ± 0.2	APPR: TKANEKO 2017/09/26								
DRAFT WHERE APPLICABLE MUST REMAIN WITHIN DIMENSIONS		THIRD ANGLE PROJECTION	DRAWING	SERIES	MATERIAL NUMBER	CUSTOMER		SHEET NUMBER	
			A3-SIZE	505565	SEE CHART	GENERAL		3 OF 3	