

- 注記 :  
NOTES :
- 材料及び仕上げ(めっき仕様) : TABLE 1, TABLE2 参照  
MATERIAL AND FINISHES (PLATING SPECIFICATION) : SEE TABLE 1, TABLE2.
  - 製品仕様書、コネクタ取扱説明書、適合嵌合相手、適合リテーナーは SHEET 5 をご参照下さい。  
PLEASE REFER TO SHEET 5 FOR PRODUCT SPECIFICATION, APPLICATION SPECIFICATION, MATE WITH AND APPLICABLE RETAINER.
  - 端子テール部 及び ネイルの平坦度 : 0.12 MAXIMUM  
TAIL AND NAIL COPLANARITY TO BE 0.12 MAXIMUM
  - 極数 / 2 = 偶数に適合  
APPLY TO CIRCUIT SIZE / 2 = EVEN.
  - 発注番号 : SHEET 5 参照  
ORDER NUMBER : PLEASE REFER TO SHEET 5

505433\*\*\*\*

| 番号 NO. | カバーテープ COVER TAPE | 番号 NO. | ハウジングカラー HOUSING COLOR     |
|--------|-------------------|--------|----------------------------|
| 7      | 無 WITHOUT         | 0      | ナチュラル(ベージュ) NATURAL(BEIGE) |
| 8      | 有 WITH            | 1      | 黒 BLACK                    |
|        |                   | 2      | 赤 RED                      |
|        |                   | 4      | 青 BLUE                     |
|        |                   | 6      | 緑 GREEN                    |

|       |       |       |                    |
|-------|-------|-------|--------------------|
| 29.4  | 25    | 30.85 | 42                 |
| 28.15 | 23.75 | 29.6  | 40                 |
| 26.9  | 22.5  | 28.35 | 38                 |
| 25.65 | 21.25 | 27.1  | 36                 |
| 24.4  | 20    | 25.85 | 34                 |
| 23.15 | 18.75 | 24.6  | 32                 |
| 21.9  | 17.5  | 23.35 | 30                 |
| 20.65 | 16.25 | 22.1  | 28                 |
| 19.4  | 15    | 20.85 | 26                 |
| 18.15 | 13.75 | 19.6  | 24                 |
| 16.9  | 12.5  | 18.35 | 22                 |
| 15.65 | 11.25 | 17.1  | 20                 |
| 14.4  | 10    | 15.85 | 18                 |
| 13.15 | 8.75  | 14.6  | 16                 |
| 11.9  | 7.5   | 13.35 | 14                 |
| 10.65 | 6.25  | 12.1  | 12                 |
| 9.4   | 5     | 10.85 | 10                 |
| 8.15  | 3.75  | 9.6   | 8                  |
| C     | B     | A     | 極数<br>CIRCUIT SIZE |

TABLE 1

| 番号 NO. | 部品 PART                        | 材質 MATERIAL   |
|--------|--------------------------------|---|
| ①      | ハウジング HOUSING                  | ポリアミド(PA), UL94V-0, 色 : SHEET 5参照<br>POLY AMIDE(PA), UL94V-0, COLOR : SEE SHEET 5   |
| ②      | ターミナル 及び ネイル TERMINAL AND NAIL | 黄銅 BRASS<br>錫ビスマスめっき : 1.0 MICROMETER MINIMUM<br>TIN-BISMUTH PLATING<br>ニッケルめっき (下地) : 1.0 MICROMETER MINIMUM<br>NICKEL (UNDER PLATING) |
| ④      | カバーテープ COVER TAPE              | ポリイミド POLYIMIDE   |

|                 |    |              |            |          |
|-----------------|----|--------------|------------|----------|
| DOCUMENT STATUS | P1 | RELEASE DATE | 2023/02/16 | 15:22:25 |
|-----------------|----|--------------|------------|----------|

THIS DRAWING CONTAINS INFORMATION THAT IS PROPRIETARY TO MOLEX ELECTRONIC TECHNOLOGIES, LLC AND SHOULD NOT BE USED WITHOUT WRITTEN PERMISSION

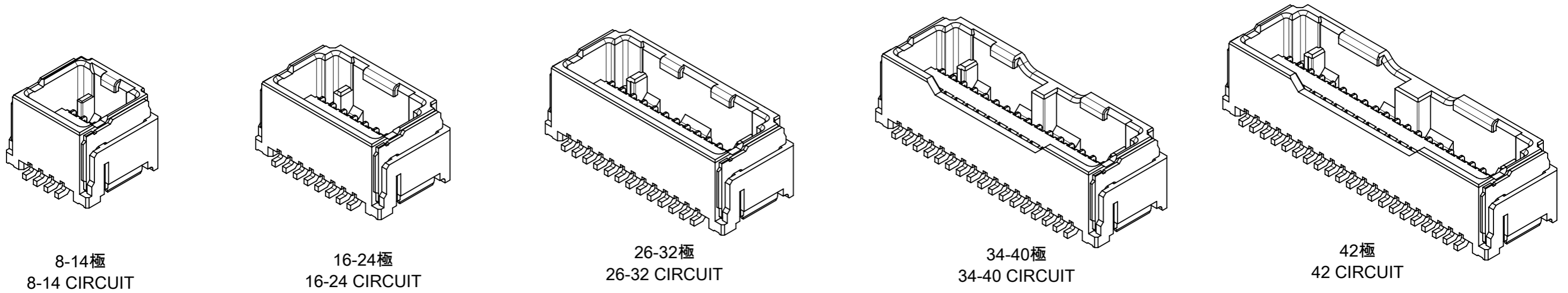
|  |         |                             |
|--|---------|-----------------------------|
| DIMENSION UNITS                                      | SCALE   | CURRENT REV DESC:           |
| mm   | NTS     |                             |
| GENERAL TOLERANCES (UNLESS SPECIFIED)                |         |                             |
| ANGULAR TOL  | ± 3.0 ° |                             |
| 4 PLACES   | ± 0.2   | EC NO: 736271               |
| 3 PLACES   | ± 0.2   | DRWN: SOKUMURA01 2023/02/01 |
| 2 PLACES   | ± 0.2   | CHK'D: SAKIYAMA 2023/02/16  |
| 1 PLACE  | ± 0.2   | APPR: AIDA 2023/02/16       |
| 0 PLACES   | ± 0.2   | INITIAL REVISION:           |
|  |         | DRWN: TAKAIKE 2016/12/26    |
|  |         | APPR: TKANEKO 2016/12/28    |
| DRAFT WHERE APPLICABLE MUST REMAIN WITHIN DIMENSIONS |         |                             |
| THIRD ANGLE PROJECTION                               | DRAWING | SERIES                      |
|  | A3-SIZE | 505433                      |
| MATERIAL NUMBER                                      |         | CUSTOMER                    |
| SEE SHEET 5  |         | GENERAL                     |
| DOCUMENT NUMBER                                      |         | DOC TYPE DOC PART REVISION  |
| 5054330000   |         | PSD 000 E                   |
| SHEET NUMBER   |         |                             |
| 1 OF 5   |         |                             |

**molex**

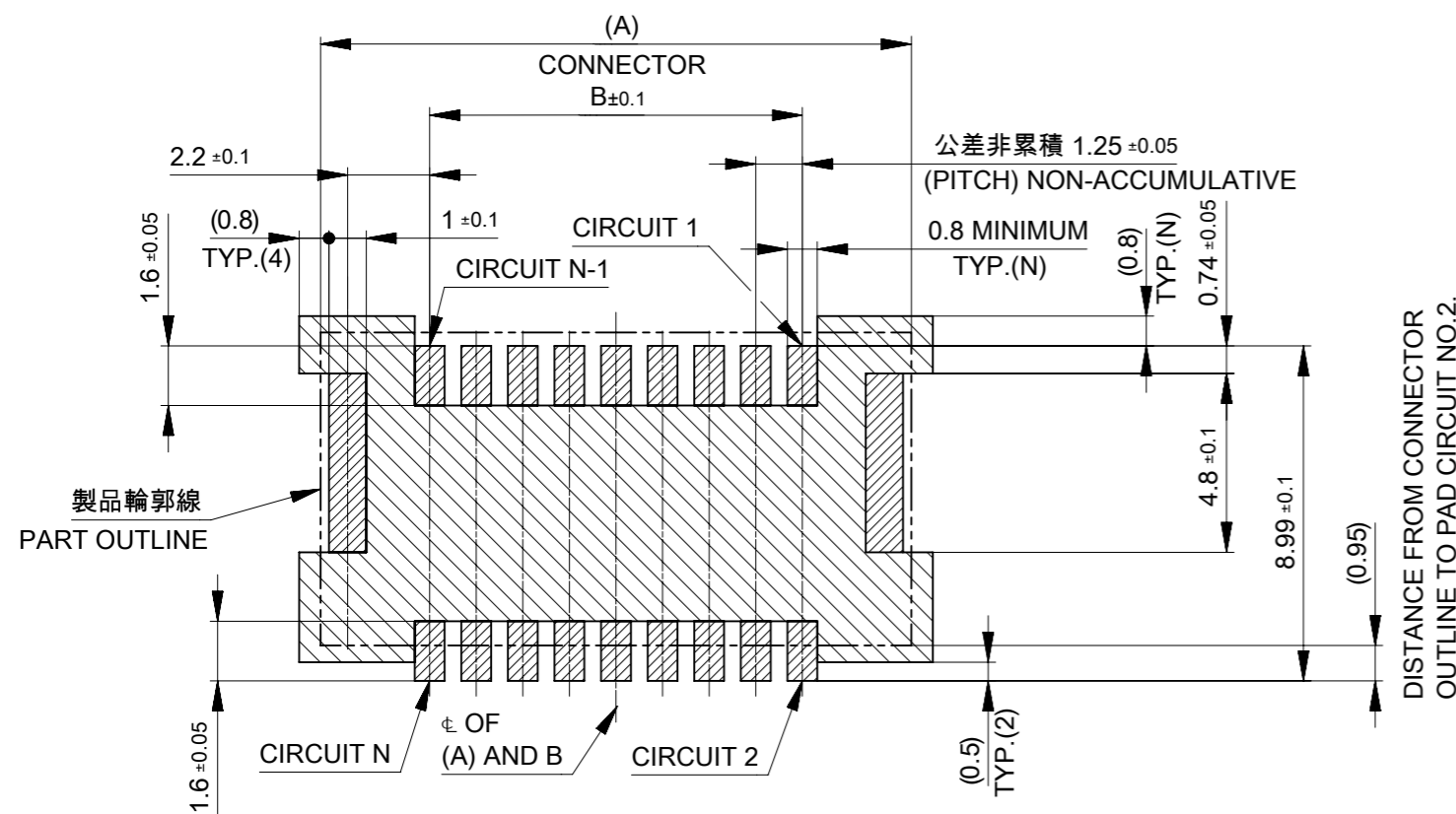
MICRO-LOCK PLUS 1.25 W/B  
DUAL ROW VERTICAL SMT PLUG ASSEMBLY  
TIN-BISMUTH PLATING

PRODUCT CUSTOMER DRAWING

製品形状  
PRODUCT SHAPE



基板パターンレイアウト  
PCB PATTERN LAYOUT



基板パターンレイアウト (参考)  
(参考: 基板厚 1.6mm, メタルマスク厚さ 0.15mm, マスク開口率 100%)  
RECOMMEND PCB LAYOUT : COMPONENT SIDE  
(REFERENCE : PCB THICKNESS 1.6mm, STENCIL THICKNESS 0.15mm, APERTURE RATIO 100%)

パターン非推奨エリア  
パターンを引き回す際は、製品機能に影響がないことをご確認ください。  
PATTERN IS NOT RECOMMENDED ON THE HATCHING AREA  
PLEASE CHECK NOT TO HAVE PROBLEM FOR PRODUCT FUNCTION  
WHEN SETTING PATTERN ON THE HATCHING AREA.

|   |         |                   |                 |  |          |
|---|---------|-------------------|-----------------|--|----------|
| THIS DRAWING CONTAINS INFORMATION THAT IS PROPRIETARY TO MOLEX ELECTRONIC TECHNOLOGIES, LLC AND SHOULD NOT BE USED WITHOUT WRITTEN PERMISSION |         | CURRENT REV DESC: |                 | <b>molex</b>   |          |
| DIMENSION UNITS   | SCALE   |                   |                 |  |          |
| mm  | NTS     |                   |                 | MICRO-LOCK PLUS 1.25 W/B<br>DUAL ROW VERTICAL SMT PLUG ASSEMBLY<br>TIN-BISMUTH PLATING |          |
| GENERAL TOLERANCES<br>(UNLESS SPECIFIED)  |         |                   |                 | PRODUCT CUSTOMER DRAWING   |          |
| ANGULAR TOL   | ± 3.0 ° |                   |                 | DOCUMENT NUMBER  |          |
| 4 PLACES  | ± 0.2   | EC NO: 736271     | 2023/02/01      | 5054330000   |          |
| 3 PLACES  | ± 0.2   | DRWN: SOKUMURA01  | 2023/02/16      | DOC TYPE   | DOC PART |
| 2 PLACES  | ± 0.2   | CHK'D: SAKIYAMA   | 2023/02/16      | PSD  | 000      |
| 1 PLACE   | ± 0.2   | APPR: AIDA        | 2023/02/16      | REVISION   | E        |
| 0 PLACES  | ± 0.2   | INITIAL REVISION: |                 | SHEET NUMBER   |          |
| DRAFT WHERE APPLICABLE<br>MUST REMAIN<br>WITHIN DIMENSIONS  |         | DRWN: TAKAIKE     | 2016/12/26      | 2 OF 5   |          |
| THIRD ANGLE PROJECTION  |         | APPR: TKANEKO     | 2016/12/28      |  |          |
| DRAWING   |         | SERIES            | MATERIAL NUMBER | CUSTOMER   |          |
| A3-SIZE   |         | 505433            | SEE SHEET 5     | GENERAL  |          |

吸着エリア違い  
SUCTION AREA DIFFERNECE



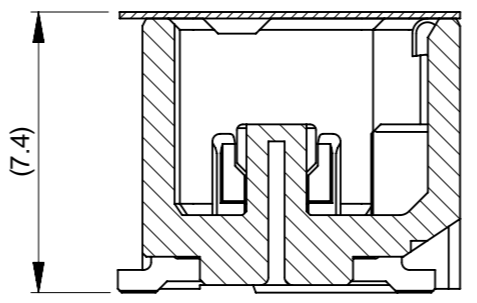
505433 \*\*7\*  
カバーテープ無し  
WITHOUT COVER TAPE



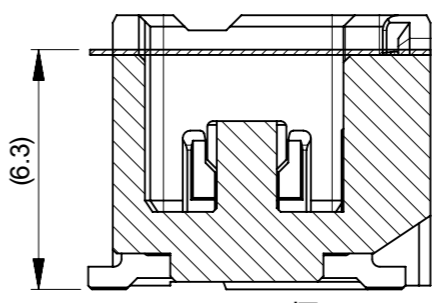
SECTION Y-Y  
吸着高さ SUCTION HEIGHT



505433 \*\*8\*  
カバーテープ有り  
WITH COVER TAPE



8-32極  
8-32 CIRCUIT



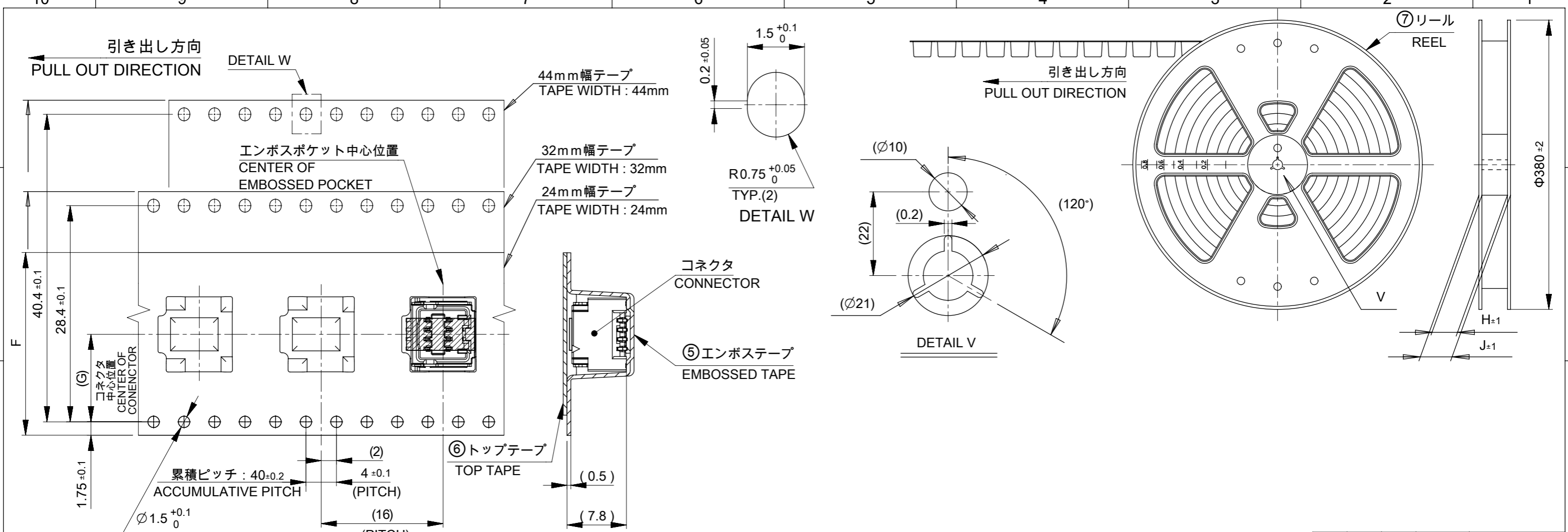
34-42極  
34-42 CIRCUIT

SECTION X-X  
吸着テープ高さ COVER TAPE HEIGHT

|     |      |                    |    |
|-----|------|--------------------|----|
| 4.2 | 5    | 26.25              | 42 |
|     |      | 25                 | 40 |
|     |      | 23.75              | 38 |
|     |      | 22.5               | 36 |
|     |      | 21.25              | 34 |
|     |      | 20                 | 32 |
|     |      | 18.75              | 30 |
|     |      | 17.5               | 28 |
|     |      | 16.25              | 26 |
|     |      | 15                 | 24 |
|     |      | 13.75              | 22 |
|     |      | 12.5               | 20 |
|     |      | 11.25              | 18 |
|     |      | 10                 | 16 |
|     | 8.75 | 14                 |    |
|     | 7.5  | 12                 |    |
|     | 6.25 | 10                 |    |
|     | 5    | 8                  |    |
| E   | D    | 極数<br>CIRCUIT SIZE |    |

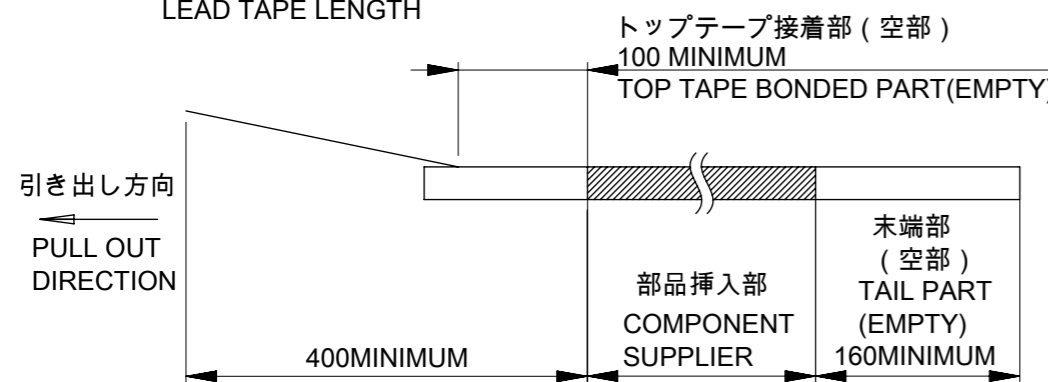
THIS DRAWING CONTAINS INFORMATION THAT IS PROPRIETARY TO MOLEX ELECTRONIC TECHNOLOGIES, LLC AND SHOULD NOT BE USED WITHOUT WRITTEN PERMISSION

|  |                        |                    |                  |                                |                     |        |
|--|------------------------|--------------------|------------------|--------------------------------|---------------------|--------|
| DIMENSION UNITS<br><b>mm</b>                               | SCALE<br><b>NTS</b>    | CURRENT REV DESC:  |                  | <b>molex</b>                   |                     |        |
| GENERAL TOLERANCES (UNLESS SPECIFIED)                      |                        | EC NO: 736271      |                  |                                |                     |        |
| ANGULAR TOL  | ± 3.0 °                | DRWN: SOKUMURA01   |                  | PRODUCT CUSTOMER DRAWING       |                     |        |
| 4 PLACES   | ± 0.2                  | CHK'D: SAKIYAMA    |                  | DOCUMENT NUMBER                |                     |        |
| 3 PLACES   | ± 0.2                  | APPR: AIDA         |                  | 5054330000                     |                     |        |
| 2 PLACES   | ± 0.2                  | INITIAL REVISION:  |                  | DOC TYPE DOC PART REVISION     |                     |        |
| 1 PLACE  | ± 0.2                  | DRWN: TAKAIKE      |                  | PSD 000 E                      |                     |        |
| 0 PLACES   | ± 0.2                  | APPR: TKANEKO      |                  | SHEET NUMBER                   |                     |        |
| DRAFT WHERE APPLICABLE<br>MUST REMAIN<br>WITHIN DIMENSIONS | THIRD ANGLE PROJECTION | DRAWING<br>A3-SIZE | SERIES<br>505433 | MATERIAL NUMBER<br>SEE SHEET 5 | CUSTOMER<br>GENERAL | 3 OF 5 |



**NOTES**

- 6. 梱包数量 : 500個  
NUMBER OF CONNECTORS : 500 PIECES/REEL.
- 7. リードテープ長さ  
LEAD TAPE LENGTH



8. トップテープの剥離強度については、IEC60286-3に準拠  
TOP TAPE PEEL FORCE IS DEFINED BY IEC 60286-3.

TABLE 2

| 番号<br>NO. | 部品<br>PART               | 材質<br>MATERIAL  |
|-----------|--------------------------|---|
| ⑤         | エンボステープ<br>EMBOSSED TAPE | ポリスチレン(PS)<br>POLYSTYRENE(PS)   |
| ⑥         | トップテープ<br>TOP TAPE       | ポリエチレン(PE)、その他<br>POLYETHYLENE(PE), OTHER                               |
| ⑦         | リール<br>REEL              | ポリスチレン(PS) <リサイクル材を含む><br>POLYSTYRENE(PS) <RECYCLE MATERIAL CONTAINED > |

|      |      |      |                                    |                    |
|------|------|------|------------------------------------|--------------------|
|      |      |      |                                    | 42                 |
|      |      |      |                                    | 40                 |
|      |      |      |                                    | 38                 |
|      |      |      |                                    | 36                 |
| 49.4 | 45.4 | 20.2 | 44 ±0.3                            | 34                 |
|      |      |      |                                    | 32                 |
|      |      |      |                                    | 30                 |
|      |      |      |                                    | 28                 |
|      |      |      |                                    | 26                 |
|      |      |      |                                    | 24                 |
| 37.4 | 33.4 | 14.2 | 32 ±0.3                            | 20                 |
|      |      |      |                                    | 18                 |
|      |      |      |                                    | 16                 |
|      |      |      |                                    | 14                 |
| 29.4 | 25.4 | 11.5 | 24 <sup>+0.3</sup> <sub>-0.1</sub> | 12                 |
|      |      |      |                                    | 10                 |
|      |      |      |                                    | 8                  |
| J    | H    | G    | F                                  | 極数<br>CIRCUIT SIZE |

THIS DRAWING CONTAINS INFORMATION THAT IS PROPRIETARY TO MOLEX ELECTRONIC TECHNOLOGIES, LLC AND SHOULD NOT BE USED WITHOUT WRITTEN PERMISSION

| DIMENSION UNITS                                      | SCALE  | CURRENT REV DESC:           |
|--|--------|-----------------------------|
| mm   | NTS    |                             |
| GENERAL TOLERANCES (UNLESS SPECIFIED)                |        |                             |
| ANGULAR TOL  | ± 3.0° |                             |
| 4 PLACES   | ± 0.2  | EC NO: 736271               |
| 3 PLACES   | ± 0.2  | DRWN: SOKUMURA01 2023/02/01 |
| 2 PLACES   | ± 0.2  | CHK'D: SAKIYAMA 2023/02/16  |
| 1 PLACE  | ± 0.2  | APPR: AIDA 2023/02/16       |
| 0 PLACES   | ± 0.2  | INITIAL REVISION:           |
|  |        | DRWN: TAKAIKE 2016/12/26    |
|  |        | APPR: TKANEKO 2016/12/28    |
| DRAFT WHERE APPLICABLE MUST REMAIN WITHIN DIMENSIONS |        | THIRD ANGLE PROJECTION      |
| DRAWING  |        | SERIES                      |
| A3-SIZE  |        | 505433                      |
| MATERIAL NUMBER                                      |        | CUSTOMER                    |
| SEE SHEET 5  |        | GENERAL                     |
| DOCUMENT NUMBER                                      |        | DOC TYPE DOC PART REVISION  |
| 5054330000   |        | PSD 000 E                   |
| SHEET NUMBER   |        |                             |
| 4 OF 5   |        |                             |

**molex**

MICRO-LOCK PLUS 1.25 W/B  
DUAL ROW VERTICAL SMT PLUG ASSEMBLY  
TIN-BISMUTH PLATING

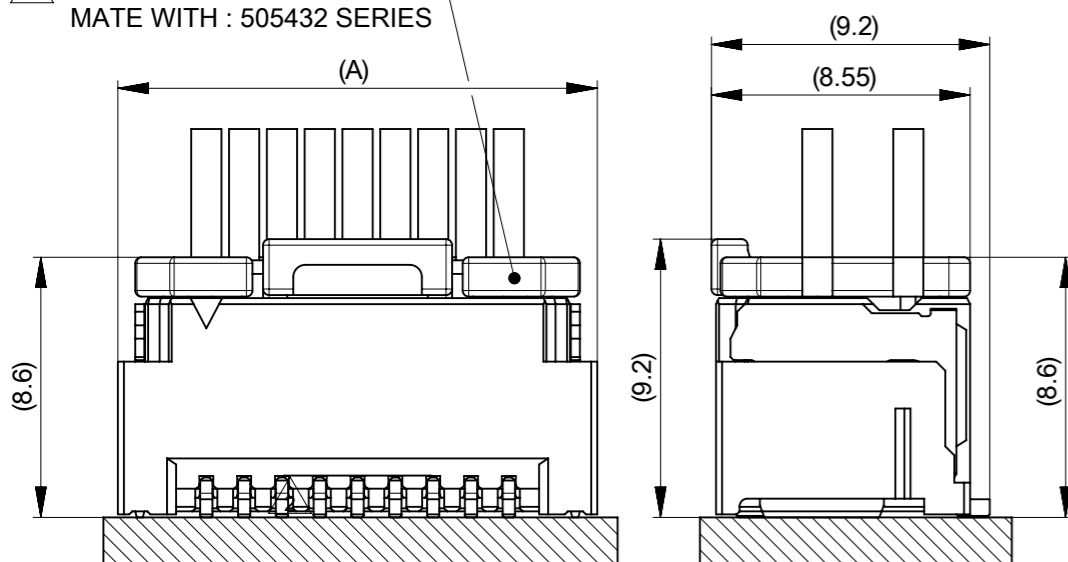
PRODUCT CUSTOMER DRAWING

△ 適合製品及び各種仕様書 APPLICABLE PRODUCTS AND VARIOUS SPECIFICATIONS

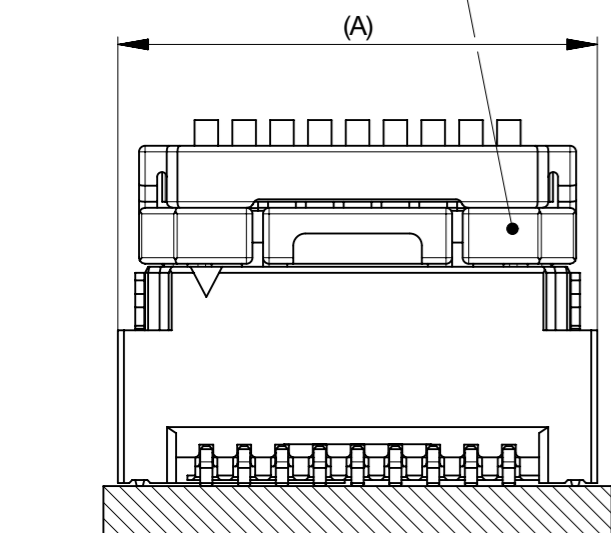
|  |                               |                      |  |
|--|-------------------------------|----------------------|--|
| 梱包仕様書<br>PACKAGING SPECIFICATION                   |                               | 5054339200 PS 200    |  |
| 適合嵌合相手<br>MATE WITH                                | シリーズ番号<br>SERIES NUMBER       | 505432               | 214527                                   |
|  | リテーナー対応<br>RETAINER COMPLIANT | NOT COMPLIANT        | COMPLIANT<br>(NATURAL, BLACK, RED, BLUE) |
| 適合リテーナーシリーズ番号<br>APPLICABLE RETAINER SERIES NUMBER |                               | -                    | 214528                                   |
| 製品仕様書<br>PRODUCT SPECIFICATION                     |                               | 5054320000 PS 002    | 2145270000-PS PS 000                     |
| コネクタ取扱説明書<br>APPLICATION SPECIFICATION             |                               | 5054320000-AS PS 000 |  |

嵌合状態図  
MATED CONNECTORS

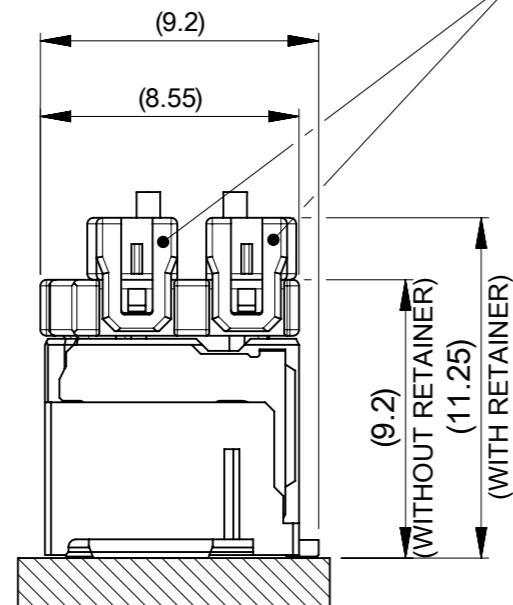
△ 嵌合相手 : 505432シリーズ  
MATE WITH : 505432 SERIES



△ 嵌合相手 : 214527シリーズ  
MATE WITH : 214527 SERIES



△ リテーナー : 214528シリーズ  
RETAINER : 214528 SERIES



△ 505433\*\*\*\* 発注番号一覧 ORDER NUMBER LIST

| WITHOUT    |            |            |            |                 | WITH       |            |            |            |                 | COVER TAPE    |
|------------|------------|------------|------------|-----------------|------------|------------|------------|------------|-----------------|---------------|
| GREEN      | BLUE       | RED        | BLACK      | NATURAL (BEIGE) | GREEN      | BLUE       | RED        | BLACK      | NATURAL (BEIGE) | HOUSING COLOR |
| 5054334276 | 5054334274 | 5054334272 | 5054334271 | 5054334270      | 5054334286 | 5054334284 | 5054334282 | 5054334281 | 5054334280      | 42            |
| 5054334076 | 5054334074 | 5054334072 | 5054334071 | 5054334070      | 5054334086 | 5054334084 | 5054334082 | 5054334081 | 5054334080      | 40            |
| 5054333876 | 5054333874 | 5054333872 | 5054333871 | 5054333870      | 5054333886 | 5054333884 | 5054333882 | 5054333881 | 5054333880      | 38            |
| 5054333676 | 5054333674 | 5054333672 | 5054333671 | 5054333670      | 5054333686 | 5054333684 | 5054333682 | 5054333681 | 5054333680      | 36            |
| 5054333476 | 5054333474 | 5054333472 | 5054333471 | 5054333470      | 5054333486 | 5054333484 | 5054333482 | 5054333481 | 5054333480      | 34            |
| 5054333276 | 5054333274 | 5054333272 | 5054333271 | 5054333270      | 5054333286 | 5054333284 | 5054333282 | 5054333281 | 5054333280      | 32            |
| 5054333076 | 5054333074 | 5054333072 | 5054333071 | 5054333070      | 5054333086 | 5054333084 | 5054333082 | 5054333081 | 5054333080      | 30            |
| 5054332876 | 5054332874 | 5054332872 | 5054332871 | 5054332870      | 5054332886 | 5054332884 | 5054332882 | 5054332881 | 5054332880      | 28            |
| 5054332676 | 5054332674 | 5054332672 | 5054332671 | 5054332670      | 5054332686 | 5054332684 | 5054332682 | 5054332681 | 5054332680      | 26            |
| 5054332476 | 5054332474 | 5054332472 | 5054332471 | 5054332470      | 5054332486 | 5054332484 | 5054332482 | 5054332481 | 5054332480      | 24            |
| 5054332276 | 5054332274 | 5054332272 | 5054332271 | 5054332270      | 5054332286 | 5054332284 | 5054332282 | 5054332281 | 5054332280      | 22            |
| 5054332076 | 5054332074 | 5054332072 | 5054332071 | 5054332070      | 5054332086 | 5054332084 | 5054332082 | 5054332081 | 5054332080      | 20            |
| 5054331876 | 5054331874 | 5054331872 | 5054331871 | 5054331870      | 5054331886 | 5054331884 | 5054331882 | 5054331881 | 5054331880      | 18            |
| 5054331676 | 5054331674 | 5054331672 | 5054331671 | 5054331670      | 5054331686 | 5054331684 | 5054331682 | 5054331681 | 5054331680      | 16            |
| 5054331476 | 5054331474 | 5054331472 | 5054331471 | 5054331470      | 5054331486 | 5054331484 | 5054331482 | 5054331481 | 5054331480      | 14            |
| 5054331276 | 5054331274 | 5054331272 | 5054331271 | 5054331270      | 5054331286 | 5054331284 | 5054331282 | 5054331281 | 5054331280      | 12            |
| 5054331076 | 5054331074 | 5054331072 | 5054331071 | 5054331070      | 5054331086 | 5054331084 | 5054331082 | 5054331081 | 5054331080      | 10            |
| 5054330876 | 5054330874 | 5054330872 | 5054330871 | 5054330870      | 5054330886 | 5054330884 | 5054330882 | 5054330881 | 5054330880      | 8             |

発注番号 ORDER NUMBER

エンボステープ梱包  
PACKAGING STYLE : EMBOSSED TAPE AND REEL

極数  
CIRCUIT SIZE

|   |                |                                       |               |  |          |
|---|----------------|---------------------------------------|---------------|--|----------|
| THIS DRAWING CONTAINS INFORMATION THAT IS PROPRIETARY TO MOLEX ELECTRONIC TECHNOLOGIES, LLC AND SHOULD NOT BE USED WITHOUT WRITTEN PERMISSION |                | CURRENT REV DESC:                     |               | <b>molex</b>   |          |
| DIMENSION UNITS<br>mm   | SCALE<br>NTS   | GENERAL TOLERANCES (UNLESS SPECIFIED) |               |  |          |
| GENERAL TOLERANCES (UNLESS SPECIFIED)   |                | ANGULAR TOL ± 3.0°                    |               | MICRO-LOCK PLUS 1.25 W/B<br>DUAL ROW VERTICAL SMT PLUG ASSEMBLY<br>TIN-BISMUTH PLATING |          |
| 4 PLACES ± 0.2  | 3 PLACES ± 0.2 | 2 PLACES ± 0.2                        | 1 PLACE ± 0.2 | PRODUCT CUSTOMER DRAWING   |          |
| EC NO: 736271   |                | DRWN: SOKUMURA01 2023/02/01           |               | DOCUMENT NUMBER  |          |
| CHK'D: SAKIYAMA   |                | APPR: AIDA 2023/02/16                 |               | 5054330000   |          |
| INITIAL REVISION:   |                | DRWN: TAKAIKE 2016/12/26              |               | DOC TYPE DOC PART REVISION   |          |
| APPR: TKANEKO 2016/12/28  |                | MATERIAL NUMBER                       |               | PSD 000 E  |          |
| DRAFT WHERE APPLICABLE MUST REMAIN WITHIN DIMENSIONS  |                | THIRD ANGLE PROJECTION                | DRAWING       | SERIES   | CUSTOMER |
|   |                |                                       | A3-SIZE       | 505433   | GENERAL  |
|   |                | SEE CHART                             |               | SHEET NUMBER   |          |
|   |                |                                       |               | 5 OF 5   |          |