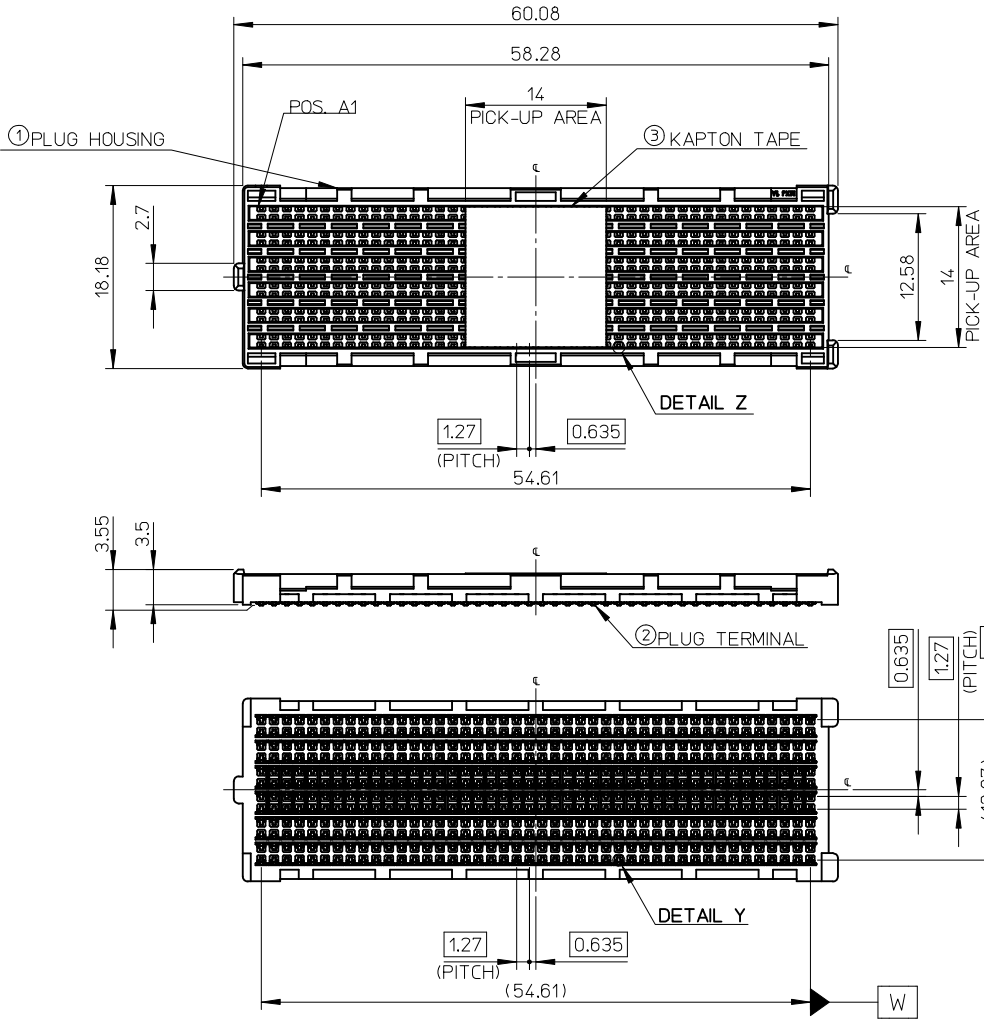
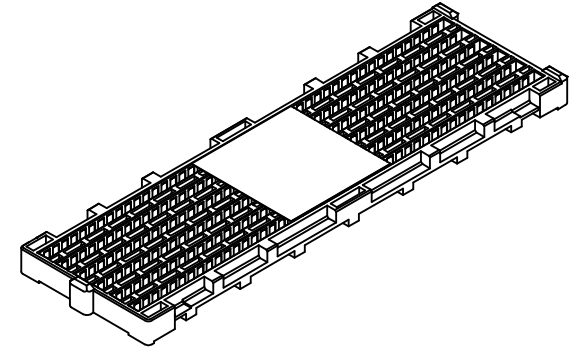


10 9 8 7 6 5 4 3 2 1

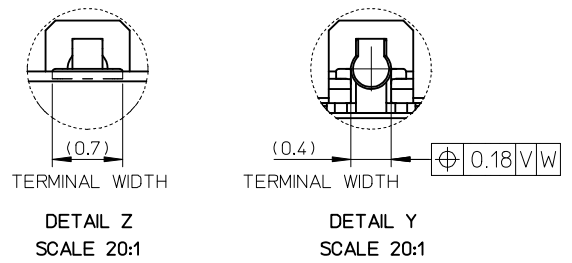


番号 No.	部品 PART	材質 MATERIAL
①	プラグ ハウジング PLUG HOUSING	液晶ポリマー、UL94V-0、黒色 LIQUID CRYSTAL POLYMER (LCP), UL94V-0, COLOR:BLACK
②	プラグ ターミナル PLUG TERMINAL	銅合金 COPPER ALLOY
③	カプトンテープ KAPTON TAPE	ポリイミド POLYIMIDE



- NOTES
- メッキ仕様 PLATING  
金メッキ  
GOLD  
下地メッキ : ニッケルメッキ  
UNDER PLATING : NICKEL
  - 適合レセプタクル : 5038255281  
APPLICABLE RECEPTACLE : 5038255281
  - テール平坦度は0.15以下  
TAIL COPLANARITY TO BE 0.15 MAXIMUM.
  - ELV and RoHS COMPLIANT

5038215281	503821****
EMBOSSED PACKAGE	MODEL No.
ORDER No. オーダー番号	



<b>RELEASED</b> EC NO: J2013-1305 DRAWN: MNISHIKAWA 2013/05/14 CHECKED BY: CHYKDKCHIKANO 2013/05/14 APPR: MYAGI 2013/05/16	GENERAL TOLERANCES (UNLESS SPECIFIED)		DIMENSION STYLE <b>MM ONLY</b>		SCALE <b>2:1</b>	DESIGN UNITS <b>METRIC</b>	THIRD ANGLE PROJECTION	
	10 UNDER ±0.2 10 OVER 30 UNDER ±0.25 30 OVER ±0.3	DRAWN BY MNISHIKAWA DATE 2012/10/02	CHECKED BY KCHIKANO DATE 2012/10/02	APPROVED BY MYAGI DATE 2012/10/02	TITLE <b>1.27MM PITCH B-TO-B CONN          HGT=4.0 528PIN          PLUG ASSEMBLY</b>			
	ANGULAR ±1° DRAFT WHERE APPLICABLE MUST REMAIN WITHIN DIMENSIONS	MATERIAL NO. <b>SEE TABLE</b>			DOCUMENT NO. <b>SD-503821-002</b>			
	SIZE <b>A3</b>	THIS DRAWING CONTAINS INFORMATION THAT IS PROPRIETARY TO MOLEX INCORPORATED AND SHOULD NOT BE USED WITHOUT WRITTEN PERMISSION						

9 8 7 6 5 4 3 2

10 9 8 7 6 5 4 3 2 1

F

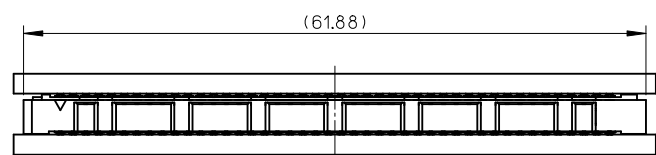
E

D

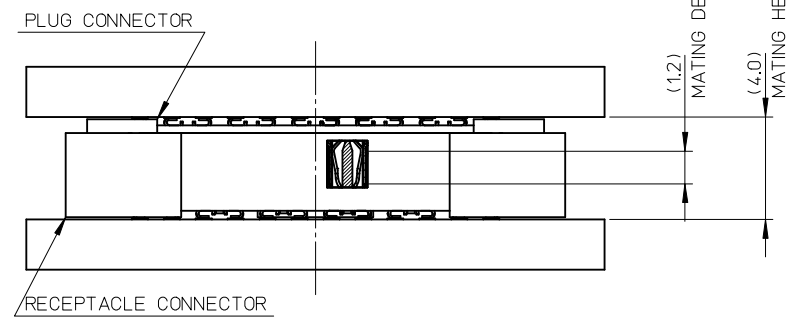
C

B

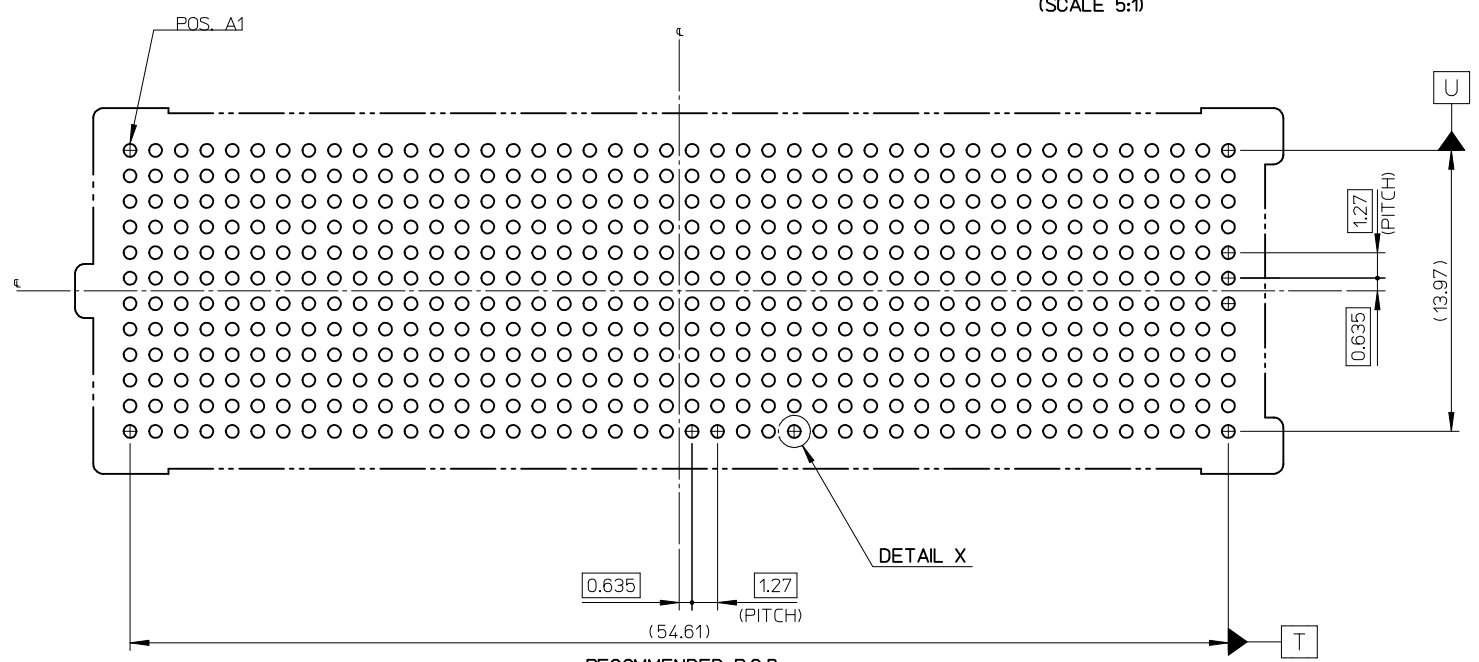
A



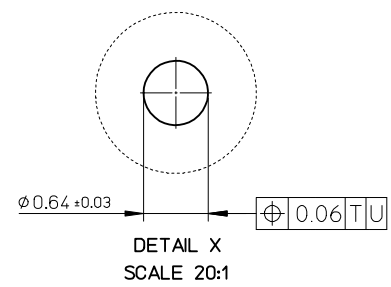
MATING CONNECTOR VIEW  
(SCALE 2:1)



(SCALE 5:1)



RECOMMENDED P.C.B.  
PATTERN LAYOUT



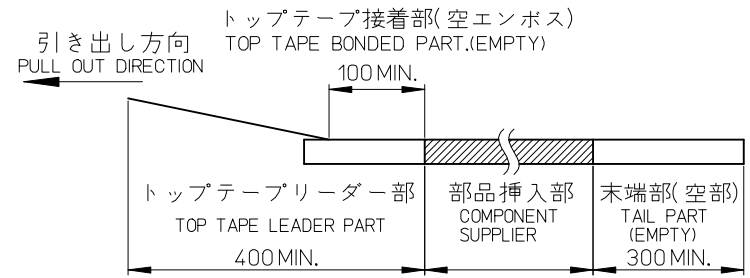
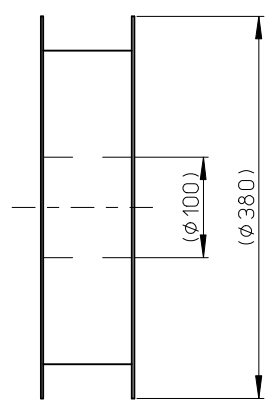
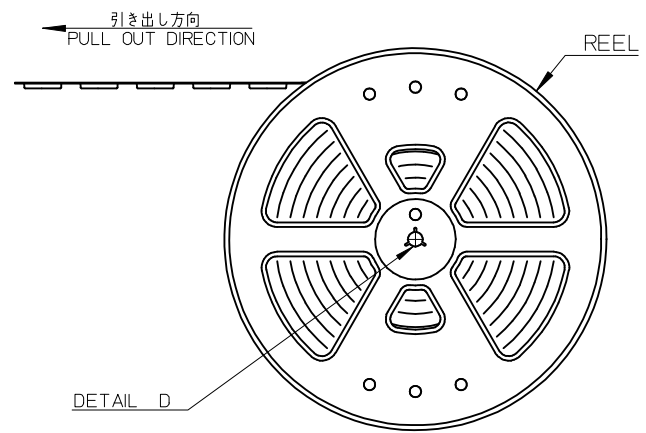
DETAIL X  
SCALE 20:1

RELEASED EC NO: J2013-1305 DRWN: MNISHIKAWA 2013/05/14 CHKD: KCHIKANO 2013/05/14 APPR: MYAGI 2013/05/16	GENERAL TOLERANCES (UNLESS SPECIFIED)		DIMENSION STYLE MM ONLY	SCALE 4:1	DESIGN UNITS METRIC	THIRD ANGLE PROJECTION	
	10 UNDER	$\pm 0.2$	DRAWN BY MNISHIKAWA	DATE 2012/10/02	TITLE 1.27MM PITCH B-TO-B CONN HGT=4.0 528PIN PLUG ASSEMBLY		
	10 OVER 30 UNDER	$\pm 0.25$	CHECKED BY KCHIKANO	DATE 2012/10/02			
	30 OVER	$\pm 0.3$	APPROVED BY MYAGI	DATE 2012/10/02	<b>molex</b> DOCUMENT NO. SD-503821-002 SHEET NO. 2 OF 2		
	ANGULAR $\pm 1^\circ$		MATERIAL NO. SEE SHEET 1				
DRAFT WHERE APPLICABLE MUST REMAIN WITHIN DIMENSIONS		THIS DRAWING CONTAINS INFORMATION THAT IS PROPRIETARY TO MOLEX INCORPORATED AND SHOULD NOT BE USED WITHOUT WRITTEN PERMISSION					

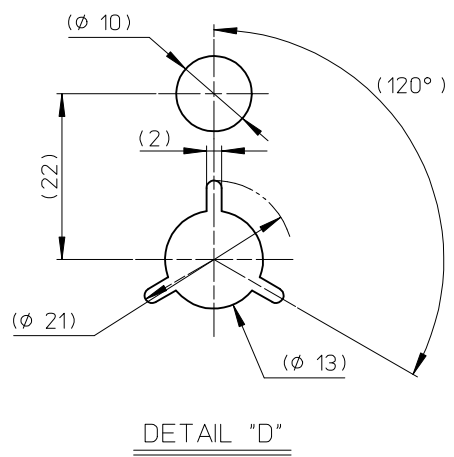
9 8 7 6 5 4 3 2

NOTES

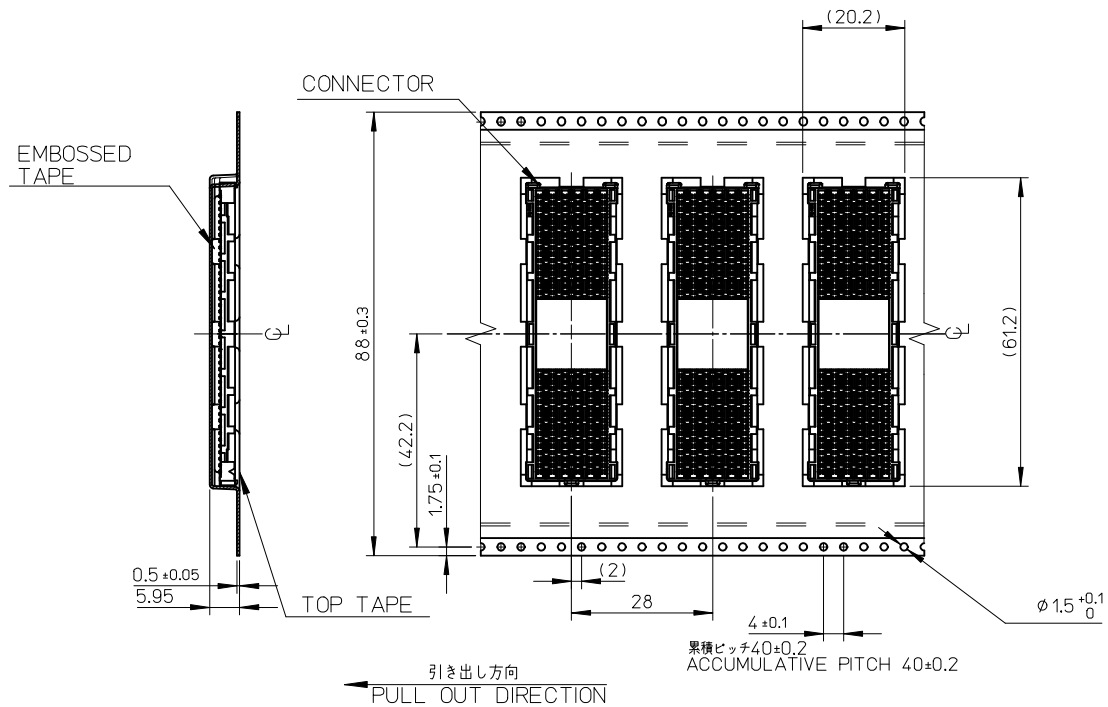
- 製品詳細寸法については、SD図面を参照下さい。  
THE DETAIL DIMENSION REFER TO SALES DRAWING.
- 梱包数量：500 個／リール  
NUMBER OF CONNECTORS : 500 PCS/REEL.
- リードテープ長さ LEAD TAPE LENGTH.



- トップテープの剥離強度については、IEC60286-3に準拠  
TOP TAPE PEEL FORCE IS DEFINED BY IEC60286-3.
- 材料 MATERIAL  
キャリアテープ (CARRIER TAPE) : ポリスチレン (POLYSTYRENE)  
トップテープ (TOP TAPE) : PET, OTHER  
リール (REEL) : ポリスチレン (PS) <リサイクル材含む>  
POLYSTYRENE (PS) <RECYCLE MATERIAL CONTAINED>
- ELV 及び RoHS適合品  
ELV AND RoHS COMPLIANT



RELEASED EC NO.: J2013-1305 DRW: MNISHIKAWA 2013/05/14 CHKD: KCHIKANO 2013/05/14 APPR: MYAGI 2013/05/16	GENERAL TOLERANCES (UNLESS SPECIFIED)		DIMENSION STYLE MM ONLY	SCALE 1:1	DESIGN UNITS METRIC	THIRD ANGLE PROJECTION
	10 UNDER	±0.2	DRAWN BY MNISHIKAWA	DATE 2012/09/27	TITLE EMBOSSD TAPE PKG FOR 1.27MMPITCH H=4.0 B-TO-B PLUG 528PIN	
	10 OVER 30 UNDER	±0.25	CHECKED BY KCHIKANO	DATE 2012/09/27	<b>molex</b> DOCUMENT NO. SD-503821-003 SHEET NO. 1 OF 2	
	30 OVER	±0.3	APPROVED BY MYAGI	DATE 2012/10/02		
	ANGULAR ±1 °	MATERIAL NO. SEE CHART				
	DRAFT WHERE APPLICABLE MUST REMAIN WITHIN DIMENSIONS	SIZE A3	THIS DRAWING CONTAINS INFORMATION THAT IS PROPRIETARY TO MOLEX INCORPORATED AND SHOULD NOT BE USED WITHOUT WRITTEN PERMISSION			



88	5038215281	528
キャリアテープ幅 CARRIER TAPE WIDTH	MATERIAL NO.	CKT.
	MODEL NO.	503821****

RELEASED EC NO: J2013-1305 DRWN: MNISHIKAWA 2013/05/14 CHKD: KCHIKANO 2013/05/14 APPR: MYAGI 2013/05/16	GENERAL TOLERANCES (UNLESS SPECIFIED)		DIMENSION STYLE MM ONLY	SCALE 1:1	DESIGN UNITS METRIC	THIRD ANGLE PROJECTION
	10 UNDER	± 0.2	DRAWN BY MNISHIKAWA	DATE 2012/09/27	TITLE EMBOSSSED TAPE PKG FOR 1.27MMPITCH H=4.0 B-TO-B PLUG 528PIN <b>molex</b> DOCUMENT NO. SD-503821-003 SHEET NO. 2 OF 2	
	10 OVER 30 UNDER	± 0.25	CHECKED BY KCHIKANO	DATE 2012/09/27		
	30 OVER	± 0.3	APPROVED BY MYAGI	DATE 2012/10/02		
ANGULAR ± 1 °		MATERIAL NO.	SEE CHART			
DRAFT WHERE APPLICABLE MUST REMAIN WITHIN DIMENSIONS		SIZE A3		THIS DRAWING CONTAINS INFORMATION THAT IS PROPRIETARY TO MOLEX INCORPORATED AND SHOULD NOT BE USED WITHOUT WRITTEN PERMISSION		