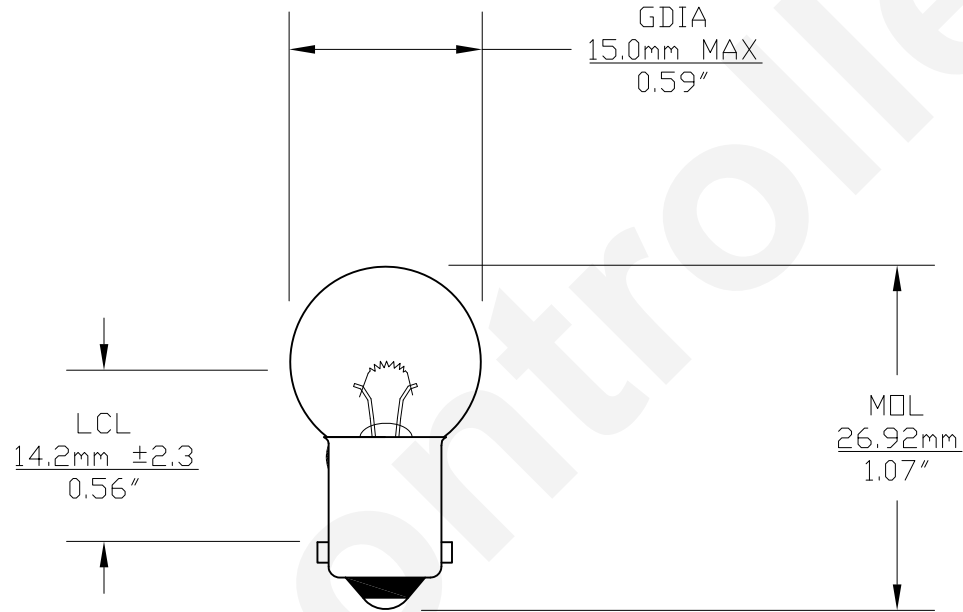


PART NO.	BASE TYPE	DESIGN VOLTS	DESIGN AMPS	MSCD	FILAMENT TYPE	AVERAGE LIFE HOURS
503	MINIATURE BAYONET BA9s	5.1	0.15 ±10%	0.6 ±20%	C-2R	100

REVISIONS			
REV	DESCRIPTION	DATE	APPROVED
1	ISSUED	10/29/2008	D.C.

BULB TYPE: G4-1/2



UNLESS OTHERWISE SPECIFIED: DIMENSIONS ARE IN INCHES TOLERANCES		CEC INDUSTRIES LTD			
DECIMALS .XX ± .05 .XXX ± .010 FRACTIONAL ±1/64		599 BOND STREET		LINCOLNSHIRE, IL 60069	
ANGULAR ± 0.5°		TITLE LIGHT BULB NO. 503			
DRAWN D.C.	DATE 10/29/2008	SIZE A	FSCM NO.	DWG NO. 503	REV 1
CHECKED		SCALE	PLOT SCALE	SHEET 1 OF 1	
DESIGN		FILE 503.dwg		DO NOT SCALE DRAWING	