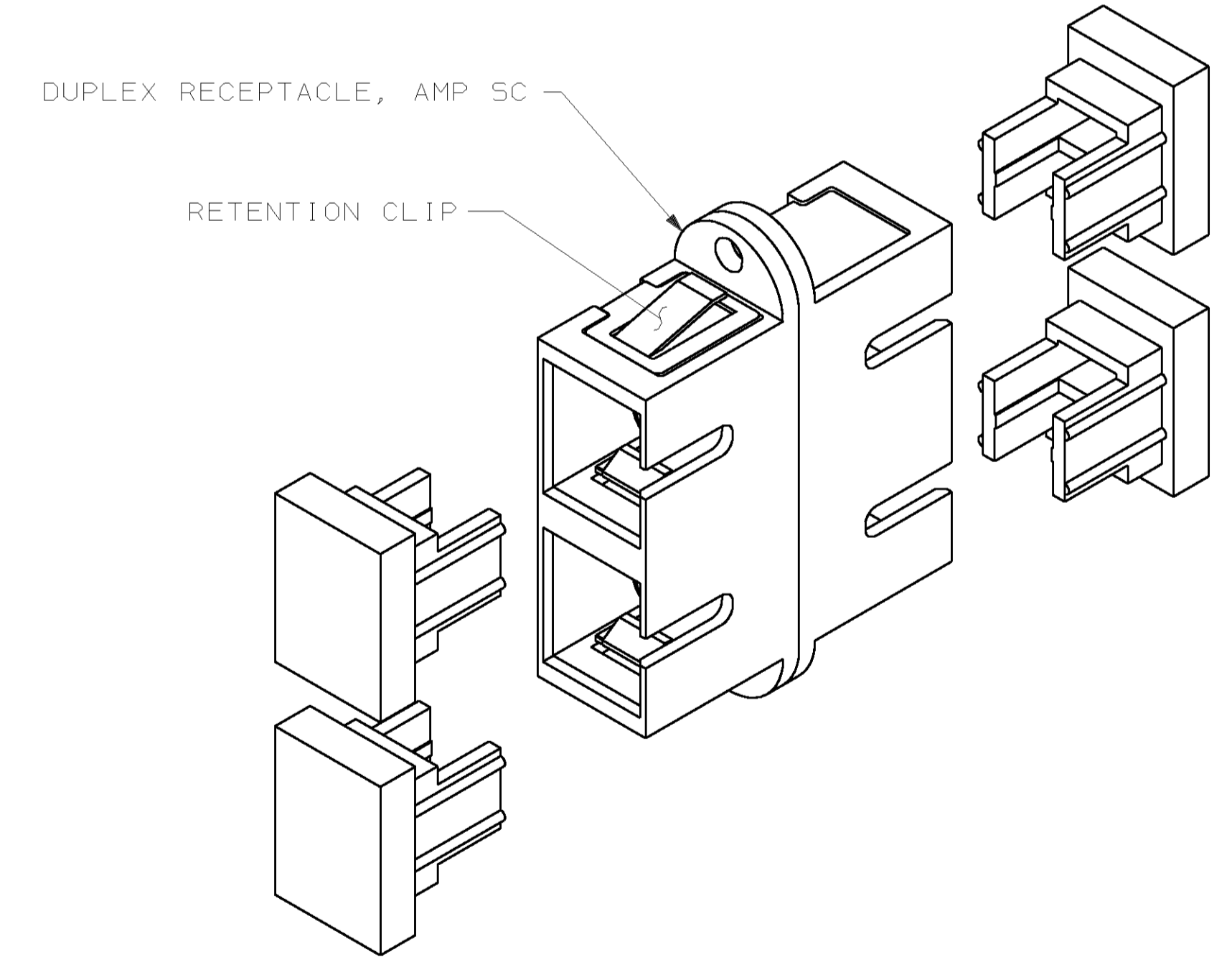
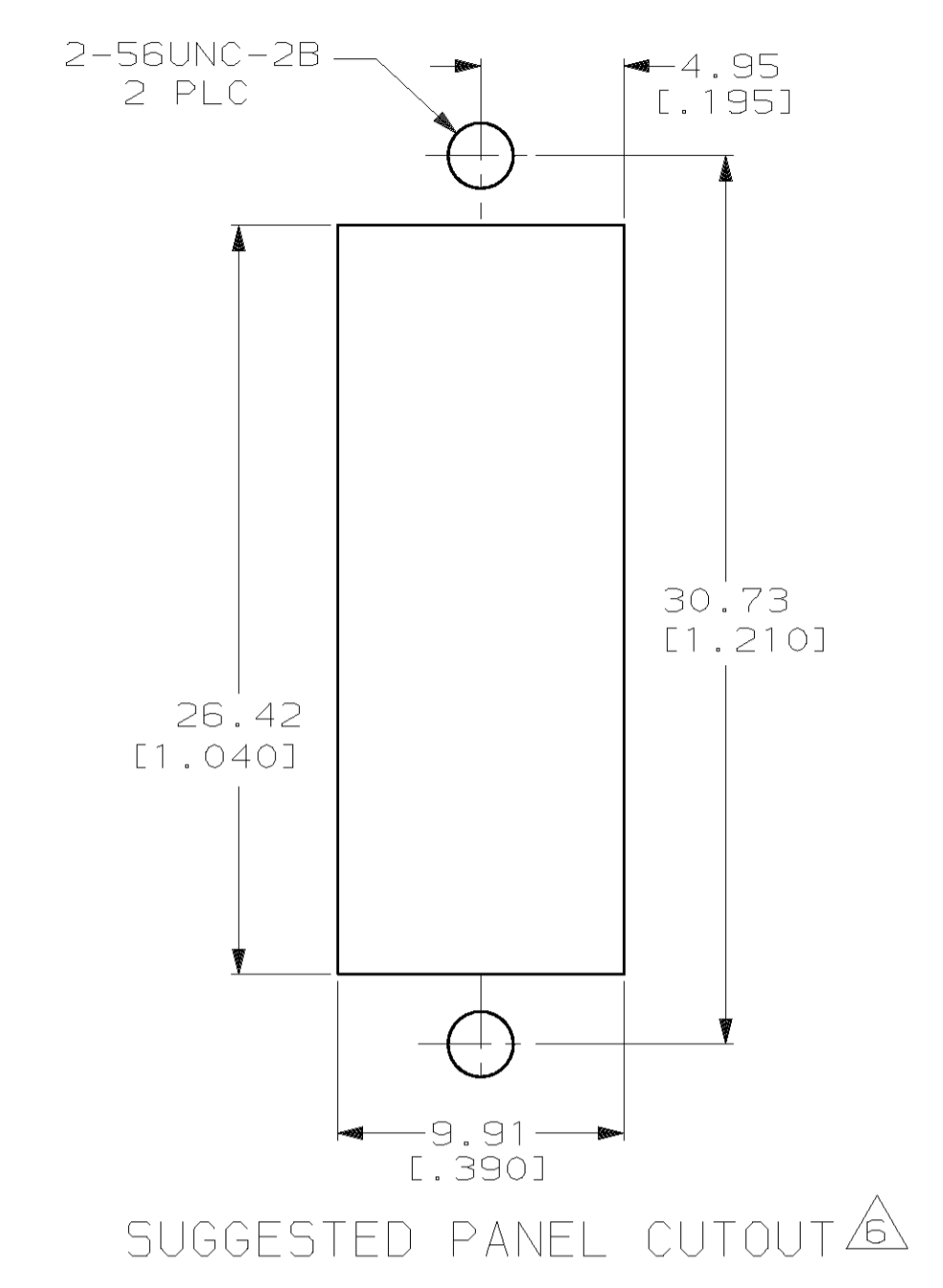
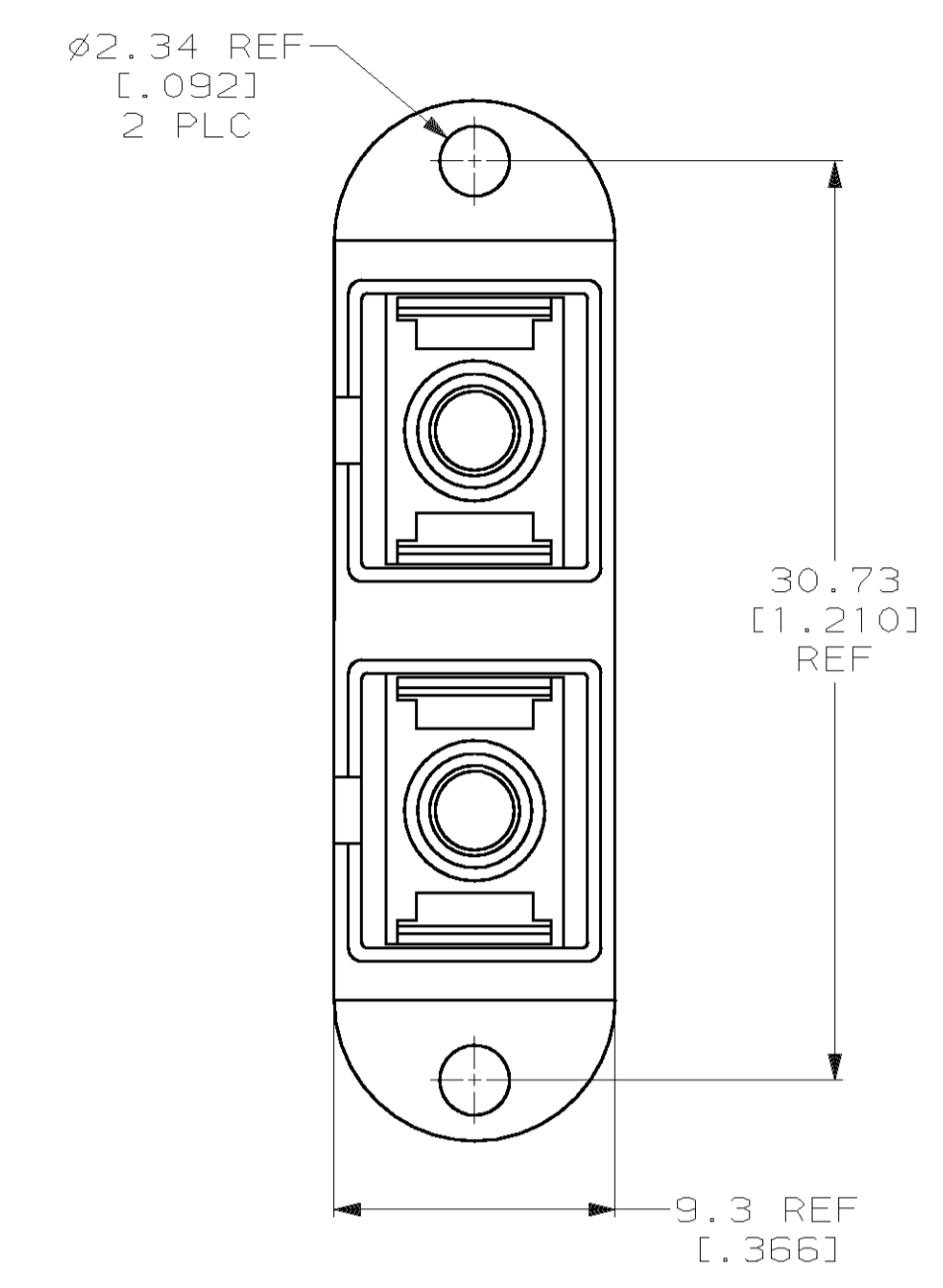
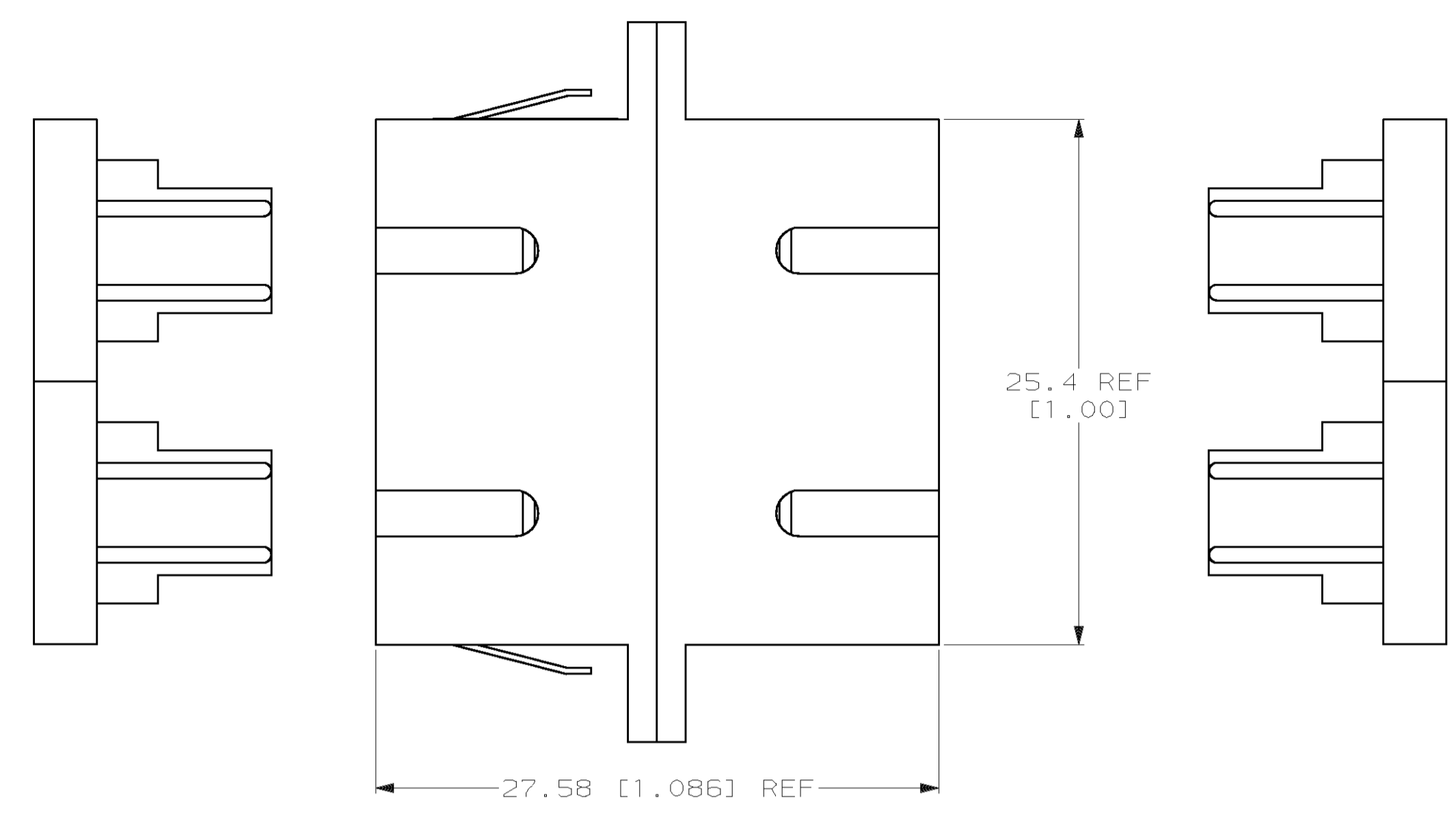


LOC	DIST	REV	DATE	BY	APPV
CE	16	N	22JUN2001	TA	SB



- \triangle MATERIAL:
 BODY: THERMOPLASTIC
 RETENTION CLIP: STAINLESS STEEL
 SLEEVE: PHOSPHOR BRONZE
 SLEEVE: ZIRCONIA
 DUST COVER: THERMOPLASTIC ELASTOMER
2. DIMENSIONS IN [] ARE IN INCHES.
- \triangle BULK PACKAGE, 50 PIECES.
 \triangle BULK PACKAGE, 250 PIECES.
 \triangle NO LOGO.
 \triangle RECOMMENDED PANEL THICKNESS 1.60±.10 [.063±.004].

\triangle	RETENTION CLIP	BLACK	CERAMIC	2-502776-5
\triangle	RETENTION CLIP	GREEN	CERAMIC	2-502776-3
	NONE	GREEN	CERAMIC	2-502776-2
	NONE	LT ALMOND	CERAMIC	2-502776-1
	NONE	LT ALMOND	METAL	2-502776-0
\triangle	RETENTION CLIP	BEIGE	METAL	1-502776-9
\triangle	RETENTION CLIP	BEIGE	CERAMIC	1-502776-8
\triangle	RETENTION CLIP	BLUE	CERAMIC	1-502776-7
\triangle	RETENTION CLIP	BLACK	CERAMIC	1-502776-6
\triangle	RETENTION CLIP	BEIGE	METAL	1-502776-5
\triangle	RETENTION CLIP	BLUE	METAL	1-502776-4
\triangle	RETENTION CLIP	BLACK	METAL	1-502776-3
	RETENTION CLIP	BEIGE	CERAMIC	1-502776-2
	RETENTION CLIP	BLUE	CERAMIC	1-502776-1
	RETENTION CLIP	BLACK	CERAMIC	1-502776-0
	RETENTION CLIP	BEIGE	METAL	502776-9
	RETENTION CLIP	BLUE	METAL	502776-8
	RETENTION CLIP	BLACK	METAL	502776-7
	RETENTION CLIP	BEIGE	CERAMIC	502776-6
	RETENTION CLIP	BLUE	CERAMIC	502776-5
	RETENTION CLIP	BLACK	CERAMIC	502776-4
	RETENTION CLIP	BEIGE	METAL	502776-3
	RETENTION CLIP	BLUE	METAL	502776-2
	RETENTION CLIP	BLACK	METAL	502776-1

SUPERSEDED BY 1-502776-2
 SUPERSEDED BY 1-502776-1
 SUPERSEDED BY 1-502776-0
 SUPERSEDED BY 502776-9
 SUPERSEDED BY 502776-8
 SUPERSEDED BY 502776-7

INCLUDED HARDWARE	COLOR	ALIGNMENT SLEEVE	PART NUMBER
THIS DRAWING IS A CONTROLLED DOCUMENT.			
DIMENSIONS: mm		TOLERANCES UNLESS OTHERWISE SPECIFIED:	
0 PLC ±.01		1 PLC ±.02	
2 PLC ±.03		3 PLC ±.04	
4 PLC ±.05		ANGLES ±.5°	
FINISH		MATERIAL	
CUSTOMER DRAWING		SCALE 4:1 SHEET 1 OF 1 REV N	

AMP AMP Incorporated
 Harrisburg, PA 17105-3608

NAME: DUPLEX RECEPTACLE, AMP SC

SIZE: A1 CAGE CODE: 00779 DRAWING NO: 502776