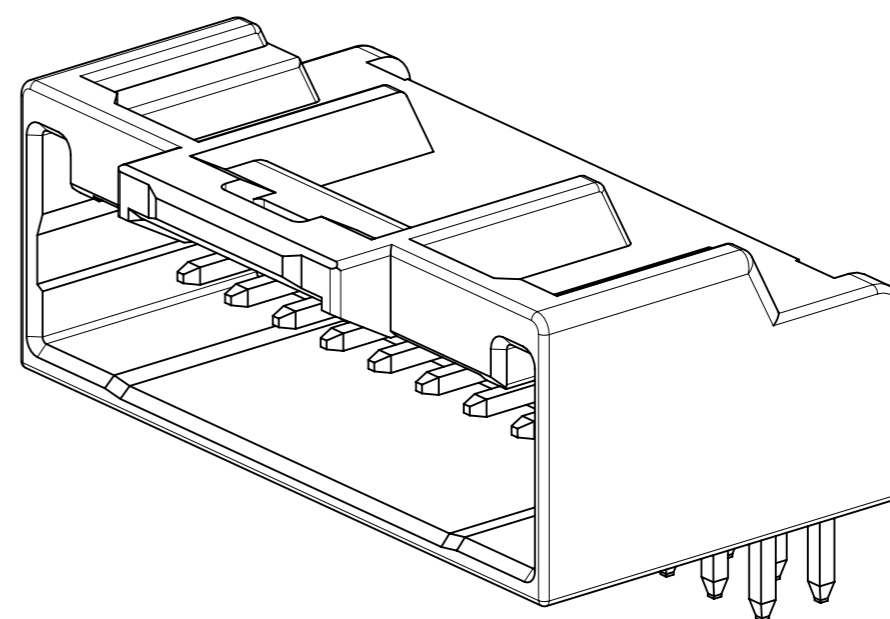
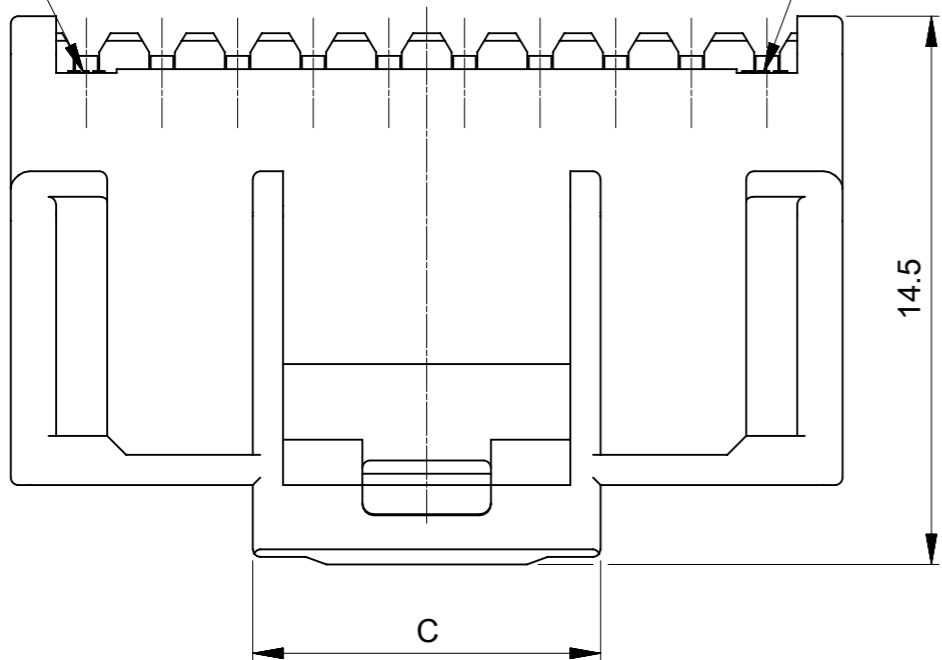
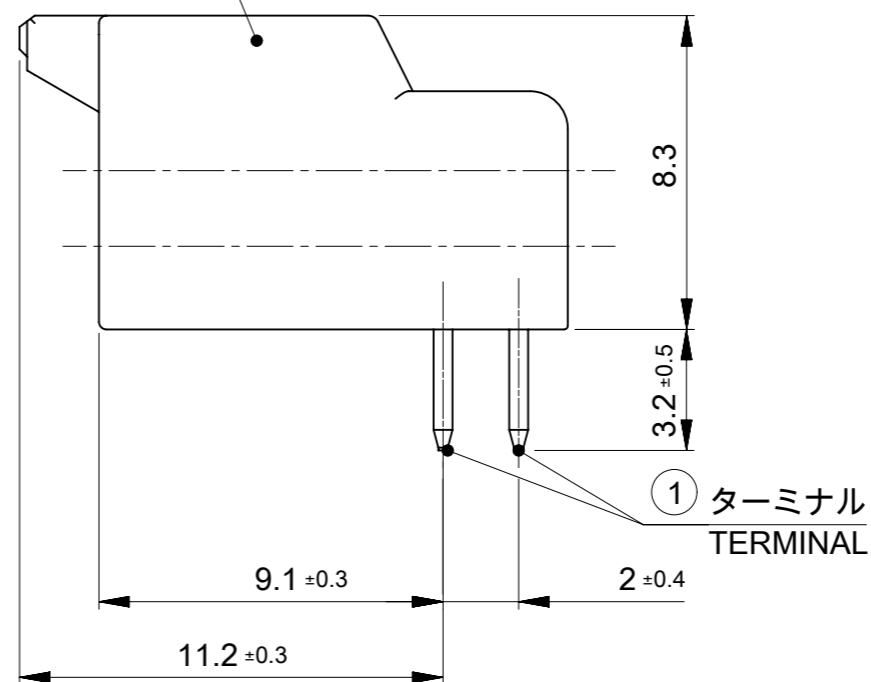
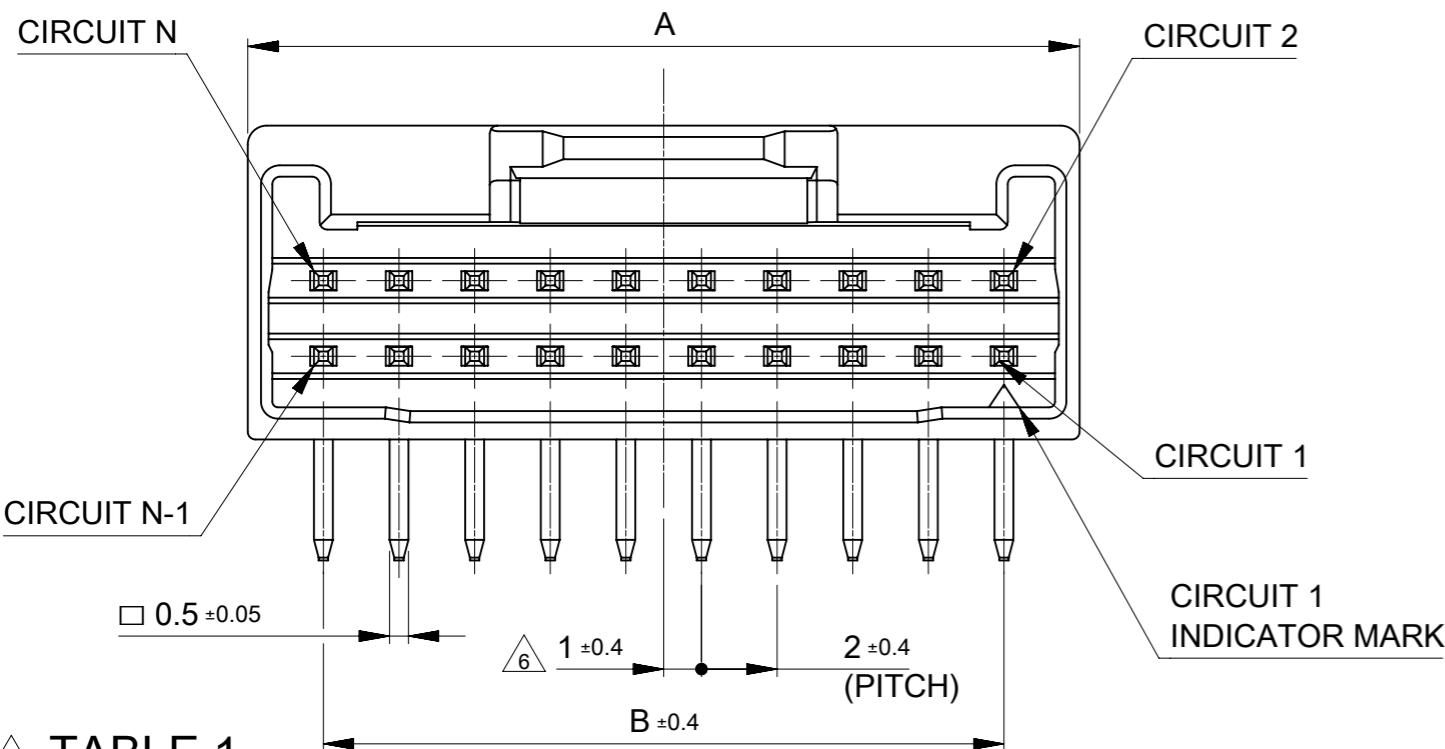


キャビティ番号  
CAVITY No.

トレードマーク  
TRADE MARK



② ハウジング  
HOUSING



|     |    |    |                    |
|-----|----|----|--------------------|
| 9.2 | 38 | 42 | 40                 |
| 9.2 | 36 | 40 | 38                 |
| 9.2 | 34 | 38 | 36                 |
| 9.2 | 32 | 36 | 34                 |
| 9.2 | 30 | 34 | 32                 |
| 9.2 | 28 | 32 | 30                 |
| 9.2 | 26 | 30 | 28                 |
| 9.2 | 24 | 28 | 26                 |
| 9.2 | 22 | 26 | 24                 |
| 9.2 | 20 | 24 | 22                 |
| 9.2 | 18 | 22 | 20                 |
| 9.2 | 16 | 20 | 18                 |
| 9.2 | 14 | 18 | 16                 |
| 9.2 | 12 | 16 | 14                 |
| 9.2 | 10 | 14 | 12                 |
| 7.3 | 8  | 12 | 10                 |
| C   | B  | A  | 極数<br>CIRCUIT SIZE |

① TABLE 1

| 番号<br>No. | 部品<br>PART        | 材質<br>MATERIAL   |  |
|-----------|-------------------|--|--|
| ①         | ターミナル<br>TERMINAL | 黄銅, BRASS  |  |
|           |                   | 下地めっき<br>UNDER PLATING   | ニッケルめっき 1 micro-meter MIN<br>NICKEL PLATING 1 micro-meter MIN    |
|           |                   | コンタクト<br>CONTACT   | 無光沢錫めっき 1 micro-meter MIN<br>MATTE TIN PLATING 1 micro-meter MIN |
| ②         | ハウジング<br>HOUSING  | テール<br>SOLDER TAIL   |  |
|           |                   | ポリアミド(PA)ガラス入り, UL94V-0, 色 : SEE CHART<br>POLYAMIDE(PA) GLASS FILLED, UL94V-0, COLOR : SEE CHART |  |

THIS DRAWING CONTAINS INFORMATION THAT IS PROPRIETARY TO MOLEX ELECTRONIC TECHNOLOGIES, LLC AND SHOULD NOT BE USED WITHOUT WRITTEN PERMISSION

|   |                        |  |                  |
|---|------------------------|--|------------------|
| DIMENSION UNITS<br>mm   | SCALE<br>NTS           | CURRENT REV DESC: REVISED                          |                  |
| GENERAL TOLERANCES (UNLESS SPECIFIED)                           |                        | molex  |                  |
| ANGULAR TOL ± 3.0°  | 4 PLACES ± 0.2         | IGRID 2.0 PLUG ASSEMBLY<br>RIGHT ANGLE TIN PLATING |                  |
| 3 PLACES ± 0.2  | 2 PLACES ± 0.2         | PRODUCT CUSTOMER DRAWING                           |                  |
| 1 PLACE ± 0.2   | 0 PLACES ± 0.2         | DOCUMENT NUMBER<br>5018760000-SD                   |                  |
| DRAFT WHERE APPLICABLE<br>MUST REMAIN<br>WITHIN DIMENSIONS      | THIRD ANGLE PROJECTION | DRAWING<br>A3-SIZE                                 | SERIES<br>501876 |
| EC NO: 721018<br>DRWN: HHUSSIN<br>CHK'D: SAKIYAMA<br>APPR: AIDA |                        | 2022/09/06<br>2022/11/21<br>2022/11/21             | DOC TYPE<br>PSD  |
| INITIAL REVISION:<br>DRWN: SNAKAMURA08<br>APPR: KOMURAKAMI      |                        | 2019/05/14<br>2019/05/24                           | DOC PART<br>000  |
| MATERIAL NUMBER<br>SEE SHEET 3                                  |                        | CUSTOMER<br>GENERAL                                | REVISION<br>D    |
| SHEET NUMBER<br>1 OF 3  |                        |  |                  |

NOTES.

1. 材料及び仕上げ(めっき仕様) : TABLE 1 参照  
MATERIAL AND FINISHES : SEE TABLE 1
2. 製品仕様書 : PS-501646-001  
PRODUCT SPECIFICATION:PS-501646-001
3. 嵌合相手:  
MATES WITH:

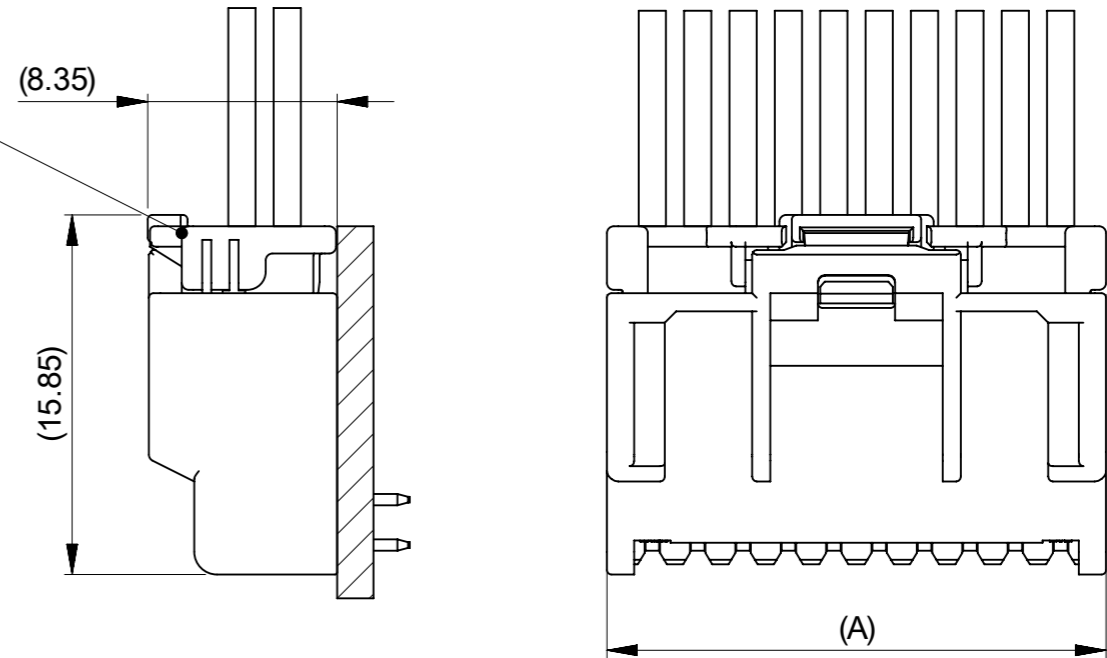
|                                   |   |               |
|-----------------------------------|---|---------------|
| リセプタクルハウジング<br>RECEPTACLE HOUSING | 501646 SERIES                             |               |
| 圧着端子<br>RECEPTACLE CRIMP TERMINAL | AWG #22-26 錫めっき<br>AWG #22-26 TIN PLATING | 501647 SERIES |
|                                   | AWG #26-28 錫めっき<br>AWG #26-28 TIN PLATING | 501648 SERIES |

4. アプリケーション仕様書(コネクタ取扱い説明書) : 5016460000-PS A01  
APPLICATION SPECIFICATION(CONNECTOR MANNUAL): 5016460000-PS A00
5. 本製品は錫めっき品です。  
THIS PRODUCT IS A TIN PLATING.
6. 極数/2 = 偶数に適応  
APPLY FOR CIRCUIT SIZE / 2 =EVEN
7. ターミナルに錫めっきを使用している為、外観に摺動痕が付く場合があります。  
THE WOUND OF FRICTION MIGHT ADHERE TO EXTERNALS  
BECAUSE THE TIN PLATING IS USED IN TERMINAL.
8. 梱包仕様書: SPK-501876-001  
PACKING INFORMATION : SPK-501876-001
9. 発注番号 : SHEET 3 参照  
ORDER No. : PLEASE REFER TO SHEET 3 FOR PRODUCT LIST

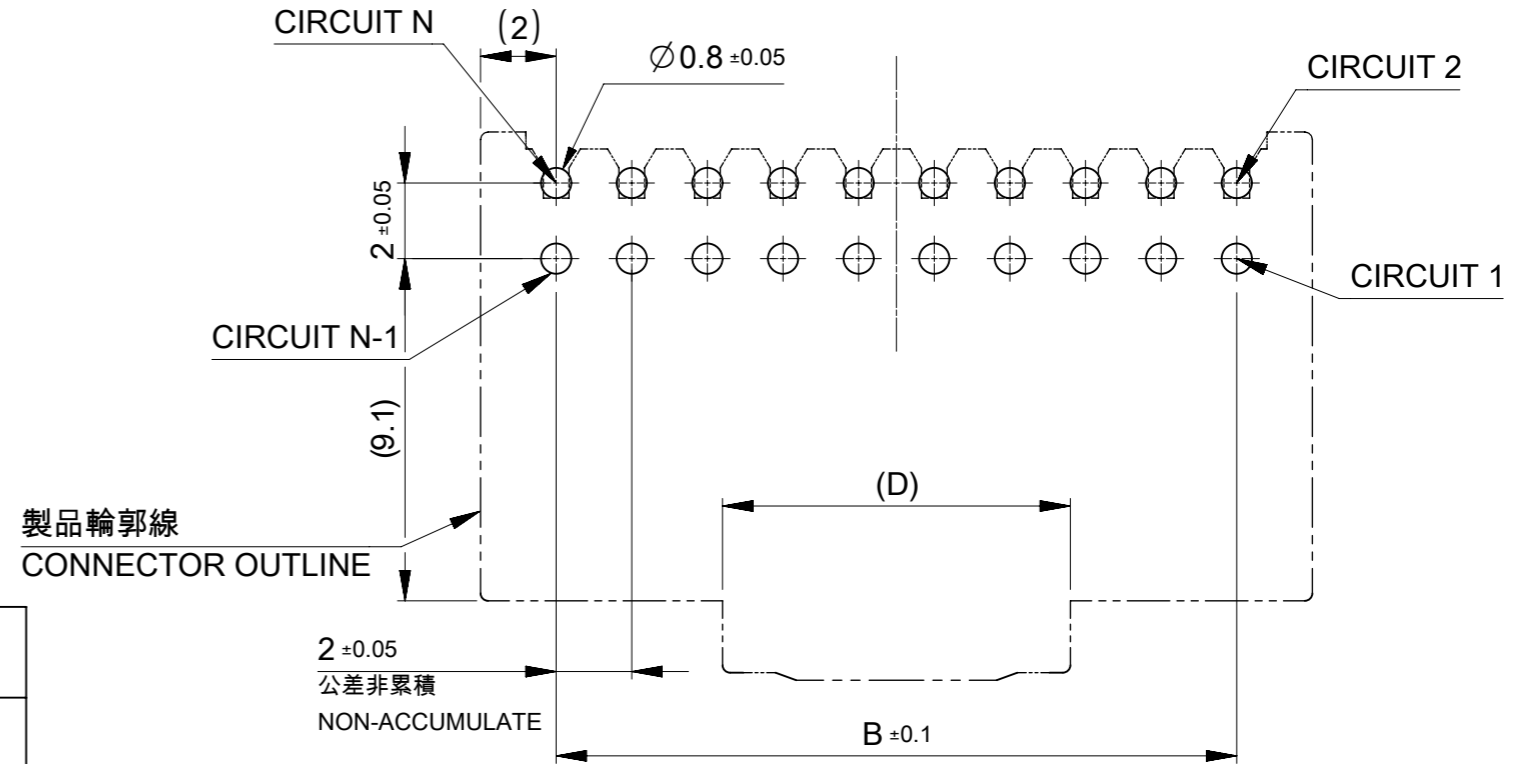
501876 \*\*4\*

|                    |                              |
|--------------------|------------------------------|
| 極数<br>CIRCUIT SIZE | ハウジングカラー<br>HOUSING COLOR    |
|                    | 0:ナチュラル NATURAL<br>(白 WHITE) |
|                    | 1:黒 BLACK                    |
|                    | 2:赤 RED                      |
|                    | 4:青 BLUE                     |
|                    | 6:緑 GREEN                    |

嵌合相手 501646 SERIES  
MATE WITH : 501646 SERIES



嵌合図  
MATED CONNECTORS



基板取付穴推奨寸法(マウント面)  
RECOMMENDED PCB HOLE DIMENSION (MOUNTING SIDE)  
参考基板厚 t=1.2~1.6  
REFERANCE PCB THICKNESS t=1.2~1.6

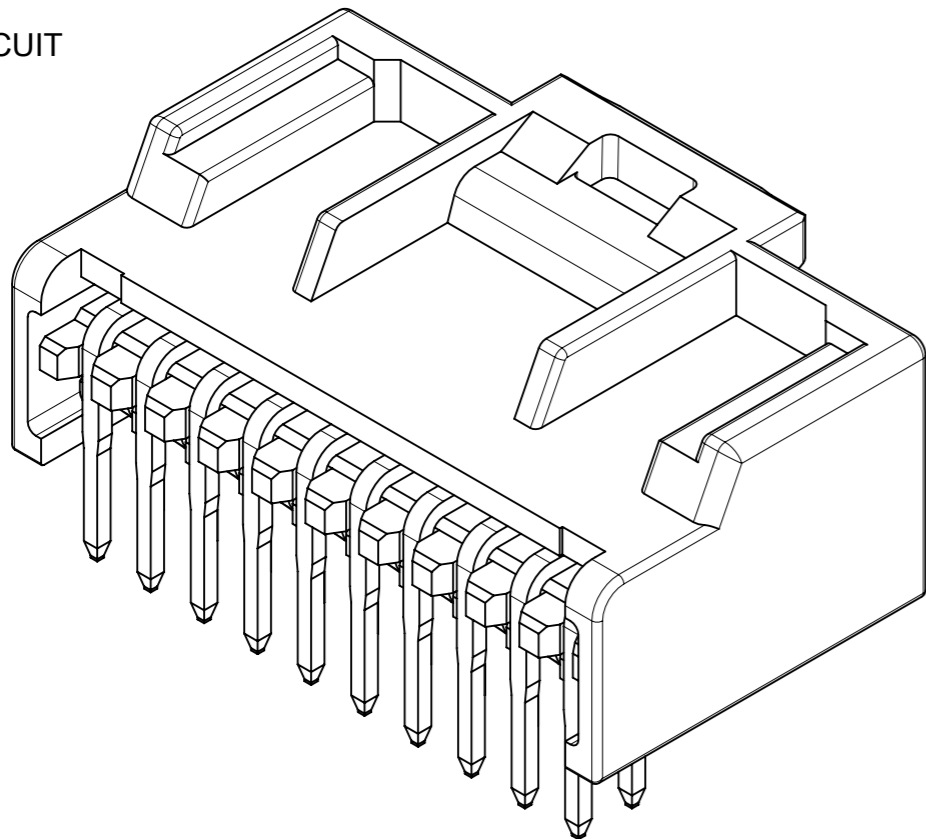
|   |              |                           |            |                          |                 |
|---|--------------|---------------------------|------------|--------------------------|-----------------|
| THIS DRAWING CONTAINS INFORMATION THAT IS PROPRIETARY TO MOLEX ELECTRONIC TECHNOLOGIES, LLC AND SHOULD NOT BE USED WITHOUT WRITTEN PERMISSION |              | CURRENT REV DESC: REVISED |            | <b>molex</b>             |                 |
| DIMENSION UNITS<br>mm   | SCALE<br>NTS |                           |            |                          |                 |
| GENERAL TOLERANCES<br>(UNLESS SPECIFIED)  |              | EC NO: 721018             |            | PRODUCT CUSTOMER DRAWING |                 |
| ANGULAR TOL   | ± 3.0 °      | DRWN: HHUSSIN             | 2022/09/06 | DOCUMENT NUMBER          |                 |
| 4 PLACES  | ± 0.2        | CHK'D: SAKIYAMA           | 2022/11/21 | 5018760000-SD            |                 |
| 3 PLACES  | ± 0.2        | APPR: AIDA                | 2022/11/21 | DOC TYPE                 | DOC PART        |
| 2 PLACES  | ± 0.2        | INITIAL REVISION:         |            | PSD                      | 000             |
| 1 PLACE   | ± 0.2        | DRWN: SNKAMURA08          | 2019/05/14 | REVISION                 |                 |
| 0 PLACES  | ± 0.2        | APPR: KOMURAKAMI          | 2019/05/24 | D                        |                 |
| DRAFT WHERE APPLICABLE<br>MUST REMAIN<br>WITHIN DIMENSIONS  |              | THIRD ANGLE PROJECTION    | DRAWING    | SERIES                   | MATERIAL NUMBER |
|   |              |                           | A3-SIZE    | 501876                   | SEE SHEET 3     |
|   |              |                           |            | CUSTOMER                 | SHEET NUMBER    |
|   |              |                           |            | GENERAL                  | 2 OF 3          |

製品形状  
PRODUCT SHAPE

10, 12 極  
10, 12 CIRCUIT



14 - 40 極  
14 - 40 CIRCUIT



△ 製品一覧 PRODUCT LIST

| 緑: GREEN               | 青: BLUE     | 赤: RED      | 黒: BLACK    | ナチュラル: NATURAL<br>(白: WHITE) | HOUSING<br>COLOR |
|------------------------|-------------|-------------|-------------|------------------------------|------------------|
| 501876 4046            | 501876 4044 | 501876 4042 | 501876 4041 | 501876 4040                  | 40               |
| ↑ 3846                 | ↑ 3844      | ↑ 3842      | ↑ 3841      | ↑ 3840                       | 38               |
| 3646                   | 3644        | 3642        | 3641        | 3640                         | 36               |
| 3446                   | 3444        | 3442        | 3441        | 3440                         | 34               |
| 3246                   | 3244        | 3242        | 3241        | 3240                         | 32               |
| 3046                   | 3044        | 3042        | 3041        | 3040                         | 30               |
| 2846                   | 2844        | 2842        | 2841        | 2840                         | 28               |
| 2646                   | 2644        | 2642        | 2641        | 2640                         | 26               |
| 2446                   | 2444        | 2442        | 2441        | 2440                         | 24               |
| 2246                   | 2244        | 2242        | 2241        | 2240                         | 22               |
| 2046                   | 2044        | 2042        | 2041        | 2040                         | 20               |
| 1846                   | 1844        | 1842        | 1841        | 1840                         | 18               |
| 1646                   | 1644        | 1642        | 1641        | 1640                         | 16               |
| 1446                   | 1444        | 1442        | 1441        | 1440                         | 14               |
| ↓ 1246                 | ↓ 1244      | ↓ 1242      | ↓ 1241      | ↓ 1240                       | 12               |
| 501876 1046            | 501876 1044 | 501876 1042 | 501876 1041 | 501876 1040                  | 10               |
| 発注番号 ORDER No.         |             |             |             |                              | 極数               |
| PACKAGING STYLE : TRAY |             |             |             |                              | CIRCUIT SIZE     |

|   |  |                            |  |  |  |        |  |                 |  |                        |  |
|---|--|----------------------------|--|--|--|--------|--|-----------------|--|------------------------|--|
| THIS DRAWING CONTAINS INFORMATION THAT IS PROPRIETARY TO MOLEX ELECTRONIC TECHNOLOGIES, LLC AND SHOULD NOT BE USED WITHOUT WRITTEN PERMISSION |  |                            |  |  |  |        |  |                 |  |                        |  |
| DIMENSION UNITS   |  | SCALE                      |  | CURRENT REV DESC: REVISED  |  |        |  |                 |  |                        |  |
| mm  |  | NTS                        |  | <p>IGRID 2.0 PLUG ASSEMBLY<br/>RIGHT ANGLE TIN PLATING</p> <p>PRODUCT CUSTOMER DRAWING</p> |  |        |  |                 |  |                        |  |
| GENERAL TOLERANCES (UNLESS SPECIFIED)   |  |                            |  |  |  |        |  |                 |  |                        |  |
| ANGULAR TOL ± 3.0 °   |  |                            |  |  |  |        |  |                 |  |                        |  |
| 4 PLACES ± 0.2  |  | EC NO: 721018              |  |  |  |        |  |                 |  |                        |  |
| 3 PLACES ± 0.2  |  | DRWN: HHUSSIN 2022/09/06   |  |  |  |        |  |                 |  |                        |  |
| 2 PLACES ± 0.2  |  | CHK'D: SAKIYAMA 2022/11/21 |  |  |  |        |  |                 |  |                        |  |
| 1 PLACE ± 0.2   |  | APPR: AIDA 2022/11/21      |  |  |  |        |  |                 |  |                        |  |
| 0 PLACES ± 0.2  |  | INITIAL REVISION:          |  | DOCUMENT NUMBER  |  |        |  |                 |  |                        |  |
| DRAFT WHERE APPLICABLE MUST REMAIN WITHIN DIMENSIONS  |  | THIRD ANGLE PROJECTION     |  | DRAWING  |  | SERIES |  | MATERIAL NUMBER |  | CUSTOMER               |  |
|   |  |                            |  | A3-SIZE  |  | 501876 |  | 5018760000-SD   |  | PSD 000 D              |  |
|   |  |                            |  |  |  |        |  | SEE CHART       |  | GENERAL                |  |
|   |  |                            |  |  |  |        |  |                 |  | SHEET NUMBER<br>3 OF 3 |  |